



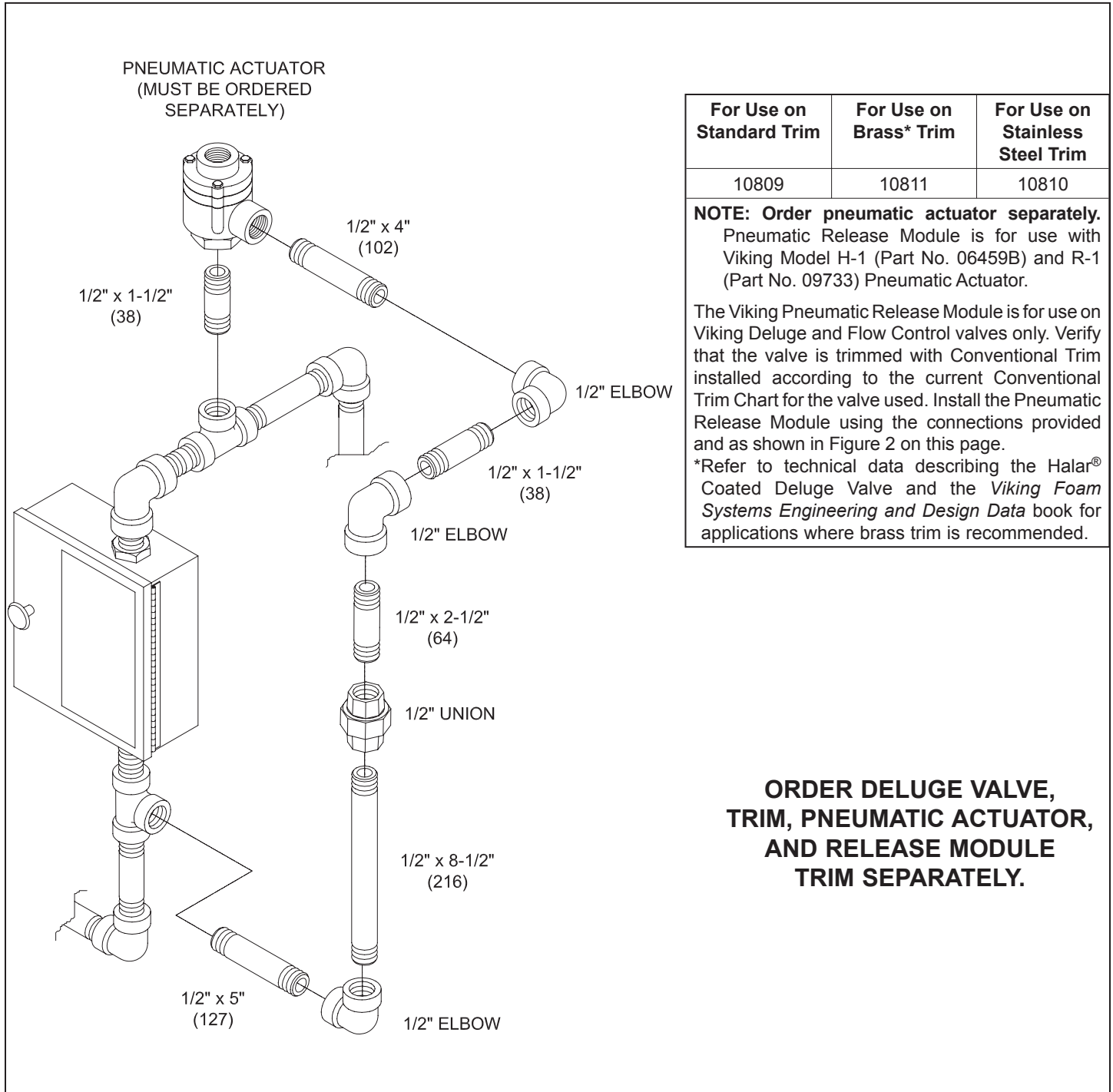
**TECHNICAL DATA**

**PNEUMATIC RELEASE  
MODULE TRIM CHART**  
Maximum 250 psi Water Working Pressure

The Viking Corporation, 210 N Industrial Park Drive, Hastings MI 49058

Telephone: 269-945-9501 Technical Services 877-384-5464 Fax: 269-818-1680 Email: techsvcs@vikingcorp.com

Available since 1999.



For Use on Standard Trim	For Use on Brass* Trim	For Use on Stainless Steel Trim
10809	10811	10810

**NOTE: Order pneumatic actuator separately.**  
Pneumatic Release Module is for use with Viking Model H-1 (Part No. 06459B) and R-1 (Part No. 09733) Pneumatic Actuator.

The Viking Pneumatic Release Module is for use on Viking Deluge and Flow Control valves only. Verify that the valve is trimmed with Conventional Trim installed according to the current Conventional Trim Chart for the valve used. Install the Pneumatic Release Module using the connections provided and as shown in Figure 2 on this page.

\*Refer to technical data describing the Halar® Coated Deluge Valve and the *Viking Foam Systems Engineering and Design Data* book for applications where brass trim is recommended.

**ORDER DELUGE VALVE,  
TRIM, PNEUMATIC ACTUATOR,  
AND RELEASE MODULE  
TRIM SEPARATELY.**

**FIGURE 1: PNEUMATIC RELEASE MODULE**

