

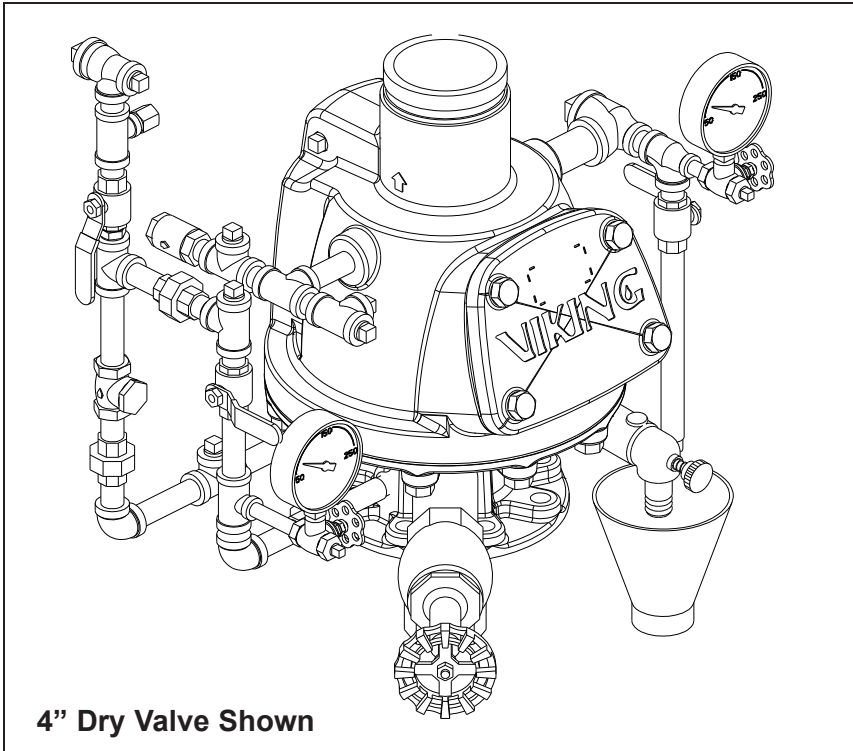


# TECHNICAL DATA

## MODEL F DRY VALVE TRIM

The Viking Corporation, 210 N Industrial Park Drive, Hastings MI 49058

Telephone: 269-945-9501 Technical Services: 877-384-5464 Fax: 269-818-1680 Email: techsvcs@vikingcorp.com



4" Dry Valve Shown

### Model F Dry Valve Trim

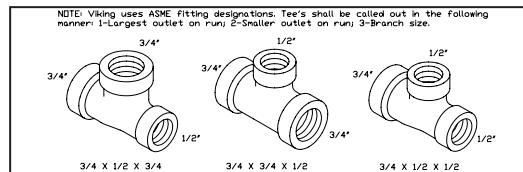
Valve Size	Trim Part Number
3"	10158
4"	08395
6"	09456

Standard Trim Sets include galvanized nipples and fittings.

**Notes: For use with Trim Chart on Page 121b**

#### General Notes:

- Valve must be trimmed as shown. Any deviation from trim size or arrangement may affect the proper operation of the valve.
- All pipe, 3/4" (20 mm) and smaller, shall be galvanized steel except when other materials are specified in the Technical Data for the system used.
- Dimensions in parentheses are millimeter and may be approximations.
- Viking uses ASME fitting designations. Tees shall be called out in the following order: 1 - Largest outlet on run; 2 - Smaller outlet on run; 3 - Branch size.



- Note 1:** Connection for electric Alarm Pressure Switch to activate electric alarm panels. NOTE: After the Dry Valve trips, supply to this location cannot be shut off until the water supply to the Dry Valve is shut off.
- Note 2:** Water flow alarm connections: 3/4" (20 mm) NPT for Water Motor Alarm (strainer required) and 1/2" (15 mm) NPT for electric Alarm Pressure Switch to activate electric alarm bells.
- Note 3:** Recommended location for Air Supervisory Switch.
- Note 4:** 1" (25 mm) NPT connection for sprinkler.
- Note 5:** Locate listed Air Maintenance Device (order separately) as close to this connection as possible. Refer to installation standards. Recommended location for connection of optional Air Maintenance Compressor.
- Note 6:** Tube must discharge TO OPEN DRAIN. DO NOT crimp or plug tube. Secure tube to 1/2" x 9" nipple below priming water level test valve with cable tie included in trim kit.



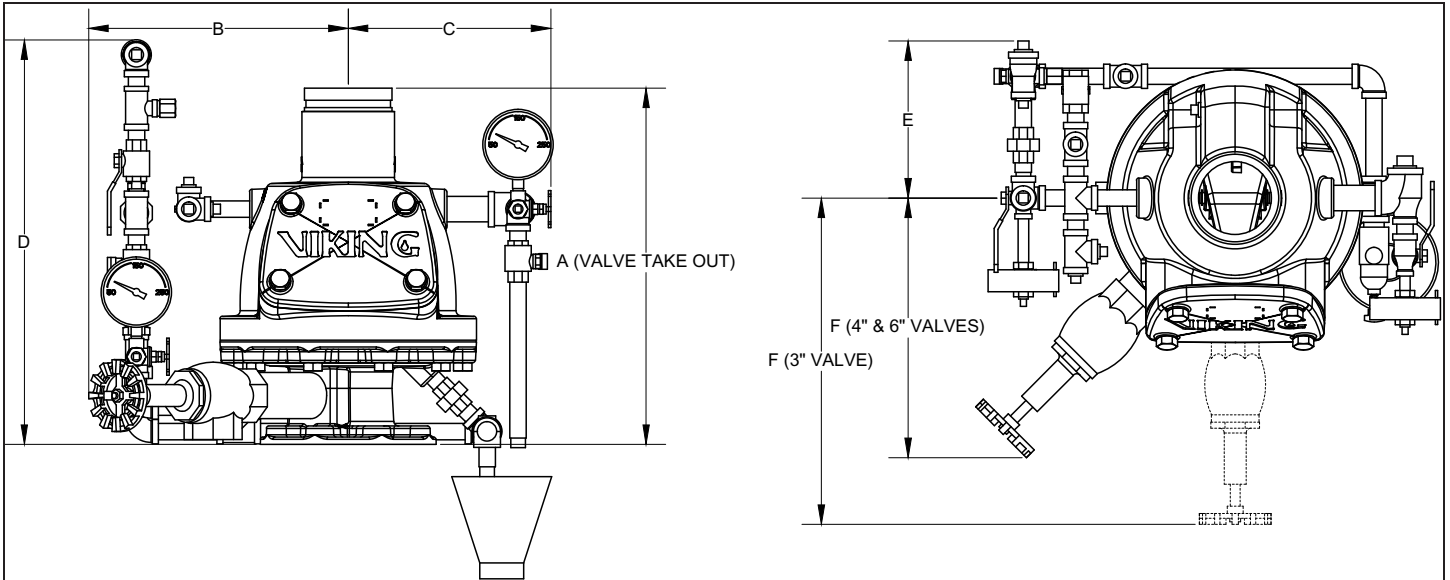


**TECHNICAL DATA**

**MODEL F DRY VALVE TRIM**

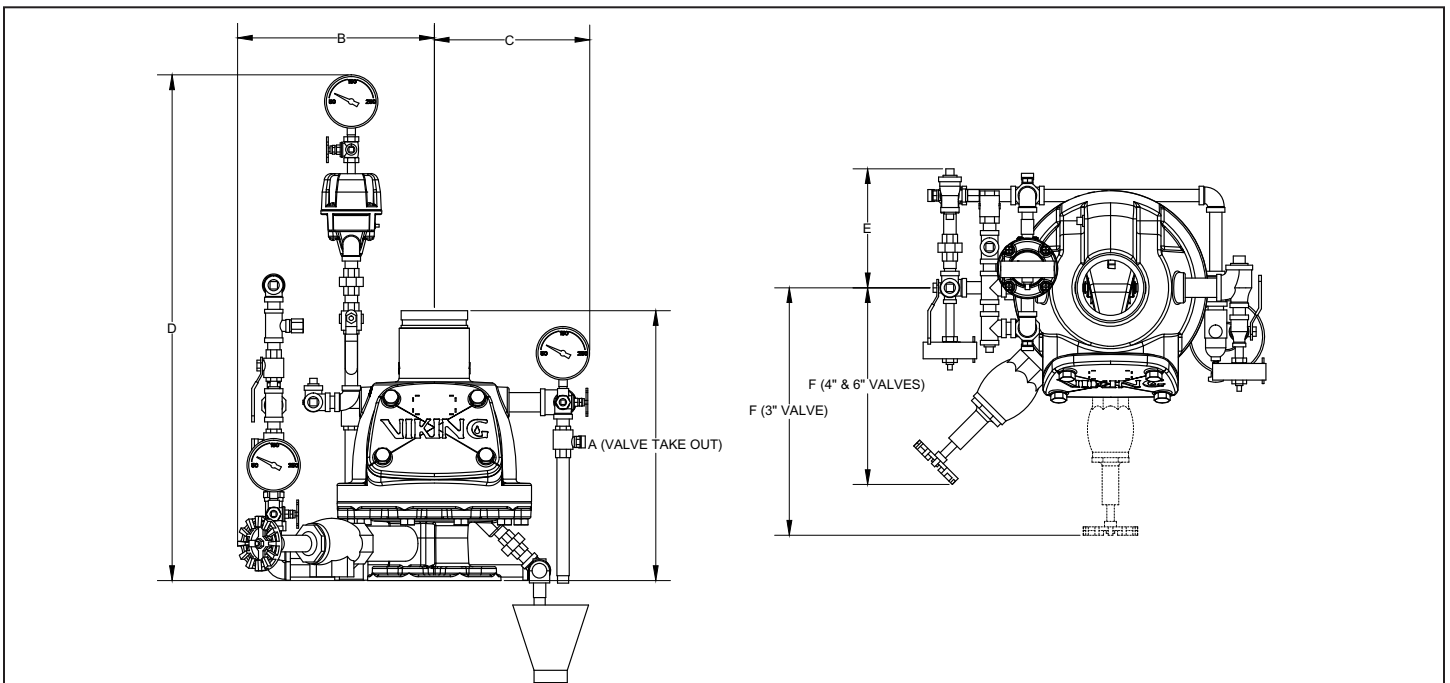
The Viking Corporation, 210 N Industrial Park Drive, Hastings MI 49058

Telephone: 269-945-9501 Technical Services: 877-384-5464 Fax: 269-818-1680 Email: techsvcs@vikingcorp.com



Valve Size	A	B	C	D	E	F
3"	18-1/4" (464)	12-3/16" (310)	10-9/16" (268)	19-13/16" (503)	8-1/16" (205)	16-3/4" (425)
4"	18-1/4" (464)	13-5/16" (338)	10-1/2" (267)	20-3/4" (527)	8-1/16" (205)	13-5/16" (338)
6"	20-1/16" (510)	13-13/16" (351)	10-15/16" (278)	21-7/16" (545)	8-1/16" (205)	13-5/8" (346)

**Figure 3 - Dry Valve with Conventional Trim with No Accelerator**



Valve Size	A	B	C	D	E	F
3"	18-1/4" (464)	12-3/16" (310)	10-9/16" (268)	34-3/16" (875)	8-1/16" (205)	16-3/4" (425)
4"	18-1/4" (464)	13-5/16" (338)	10-15/16" (278)	34-1/4" (870)	8-1/16" (205)	13-5/16" (338)
6"	20-1/16" (510)	13-13/16" (351)	10-15/16" (278)	35-1/8" (892)	8-1/16" (205)	13-5/8" (346)

**Figure 4 - Dry Valve with Conventional Trim with Model D-2 Accelerator**

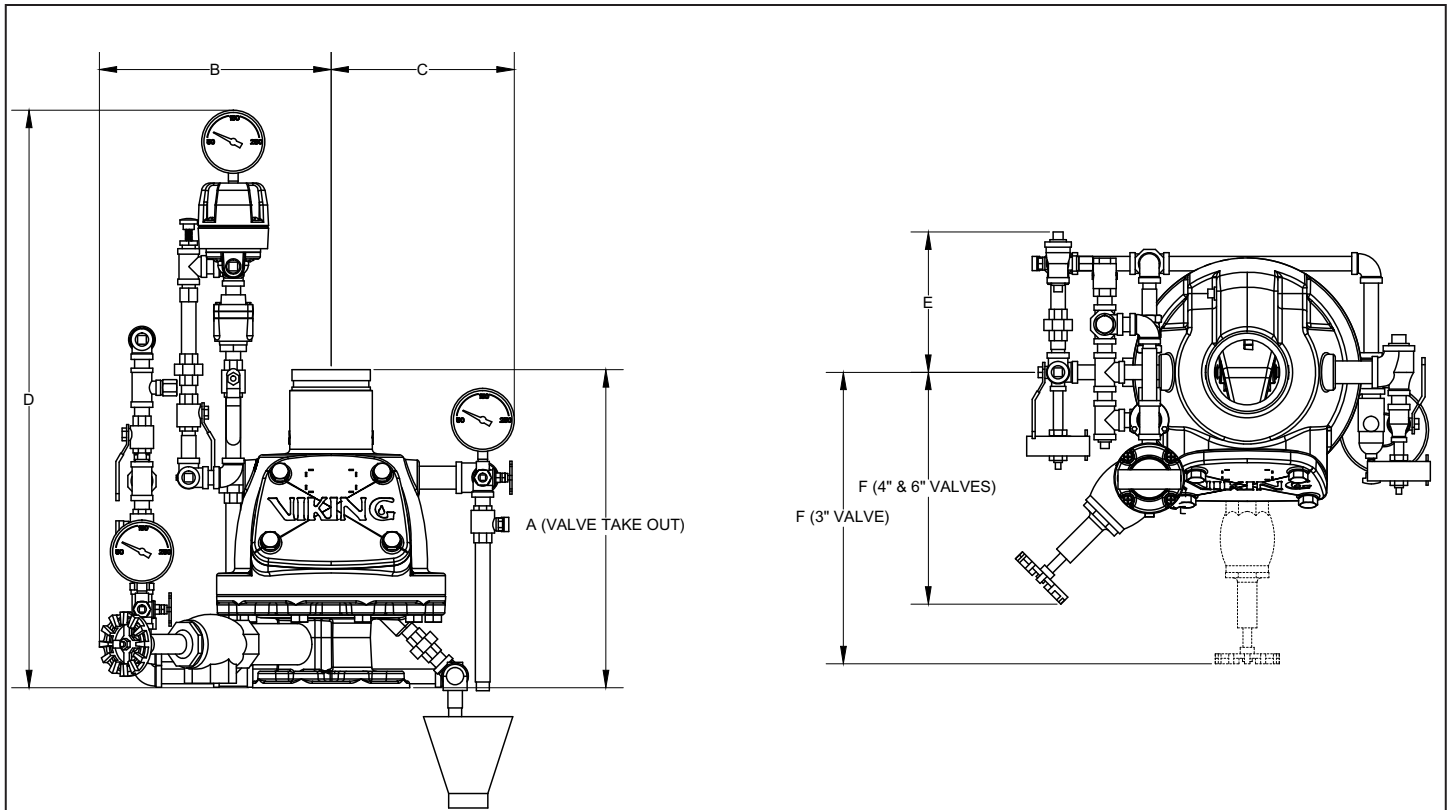


**TECHNICAL DATA**

**MODEL F DRY VALVE TRIM**

The Viking Corporation, 210 N Industrial Park Drive, Hastings MI 49058

Telephone: 269-945-9501 Technical Services: 877-384-5464 Fax: 269-818-1680 Email: techsvcs@vikingcorp.com



Valve Size	A	B	C	D	E	F
3"	18-1/4" (464)	12-3/16" (310)	10-9/16" (268)	33-1/4" (845)	8-1/16" (205)	16-3/4" (425)
4"	18-1/4" (464)	13-5/16" (338)	10-9/16" (268)	33-3/16" (843)	8-1/16" (205)	13-5/16" (338)
6"	20-1/16" (510)	13-13/16" (351)	10-15/16" (278)	34-3/16" (875)	8-1/16" (205)	13-5/8" (346)

**Figure 5 - Dry Valve with Conventional Trim with Model E-1 Accelerator**