

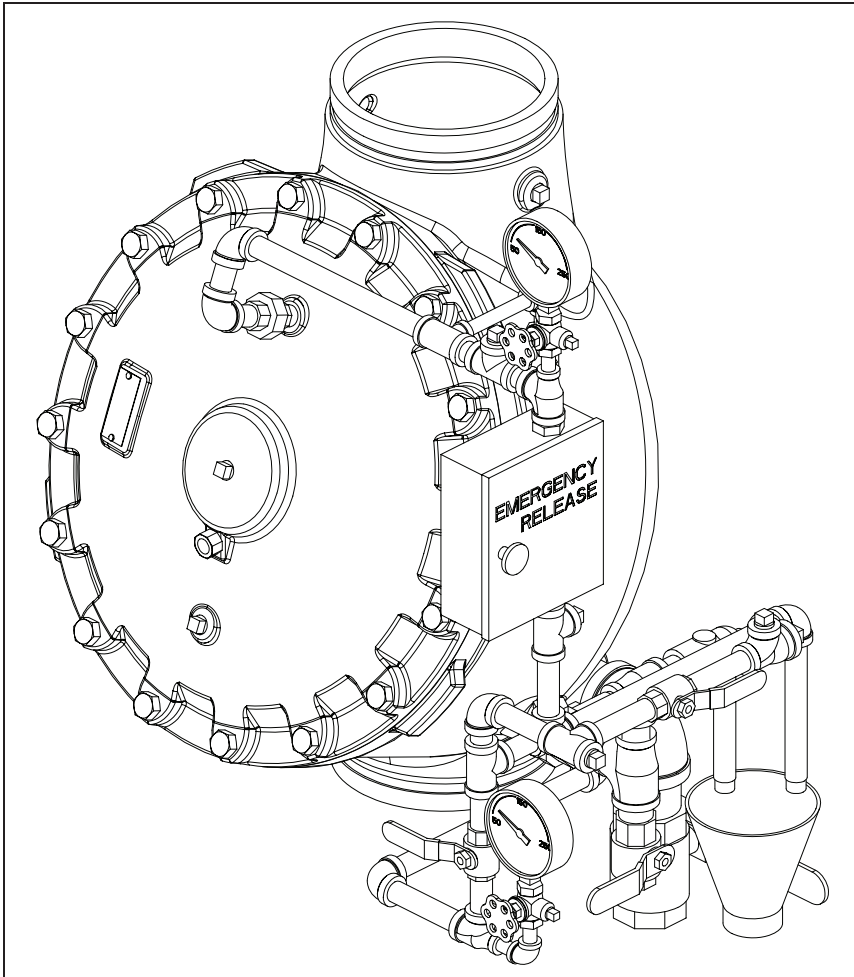


TECHNICAL DATA

FLOW CONTROL TRIM 8" (DN200) MODEL J STRAIGHT THROUGH VERTICAL VALVE

The Viking Corporation, 210 N Industrial Park Drive, Hastings MI 49058

Telephone: 269-945-9501 Technical Services 877-384-5464 Fax: 269-945-4495 Email: techsvcs@vikingcorp.com



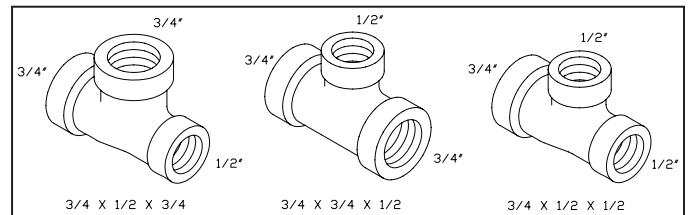
This Trim Chart is for use with the following Viking Trim Sets		
Valve Size	Galvanized* Trim Part No.	Brass** Trim Part No.
8" (DN200)	14708-1	14708-2
This Trim is for use with the following Release Module Trim Kits		
Release Type	Galvanized*	Brass**
Pneumatic	10809	10811
Electric	10830	10832
Electric/ Pneumatic	12661-1	12661-2
Pneumatic/ Pneumatic	12662-1	12662-2

* Standard Trim sets for Model J Flow Control Valves consist of galvanized nipples and fittings.
 **Refer to Technical Data describing the Halar® Coated Flow Control Valve and the Viking Foam System Engineering Design Data book for applications where brass trim is recommended.
Note: Nipple lengths for brass trim may vary from those shown on this Trim Chart.

Notes: For use with Trim Chart on Page 517 b

General Notes:

- Valve must be trimmed as shown. Any deviation from trim size or arrangement may affect the proper operation of the valve.
- Dimensions in parentheses are millimeter.
- Viking uses ANSI tee designs in all trim call-outs.



Note 1: Release System connection. Viking Deluge and Flow Control Valves are compatible with hydraulic, pneumatic, and electric release systems. A Pneumatic Actuator is required on all Viking Deluge Valves and Flow Control Valves equipped with Pneumatic Release Systems.

Note 2: Alarm Connections: Connect alarm line piping to 3/4" (20 mm) NPT outlet. When using a Water Motor Alarm, a strainer is required. 1/2" (15 mm) NPT outlet is for electric Alarm Pressure Switch.

Note 3: Optional non-interruptible connection for Alarm Pressure Switch to activate electric alarm panel. Note: After the Flow Control Valve trips, this location cannot be shut off. Alarms may operate until the outlet chamber of the Flow Control Valve is depressurized below the set point of the Alarm Pressure Switch.



TECHNICAL DATA

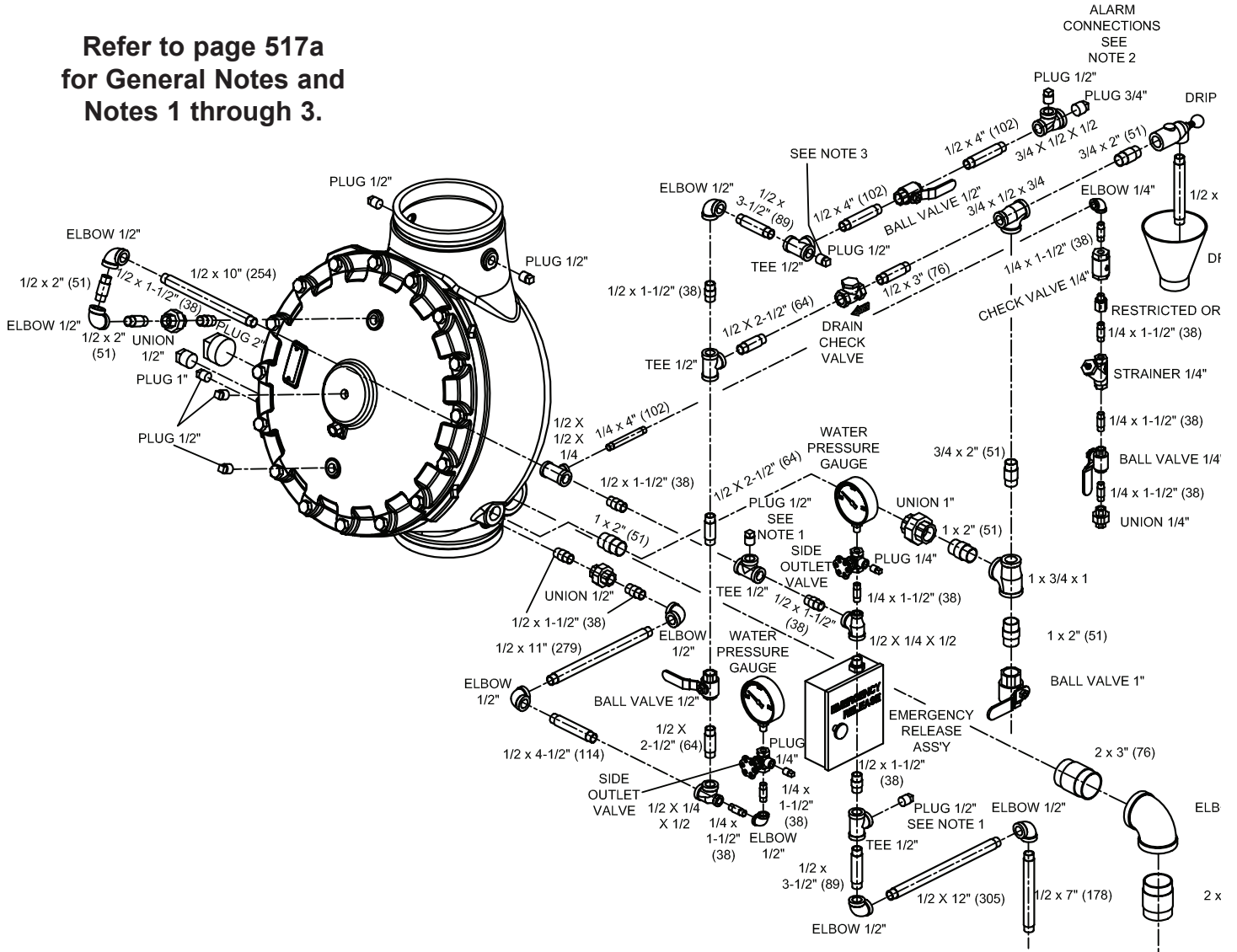
FLOW CONTROL TRIM 8" (DN200) MODEL J STRAIGHT THROUGH VERTICAL VALVE

The Viking Corporation, 210 N Industrial Park Drive, Hastings MI 49058

Telephone: 269-945-9501 Technical Services 877-384-5464 Fax: 269-945-4495 Email: techsvcs@vikingcorp.com

Available since 2008

Refer to page 517a
for General Notes and
Notes 1 through 3.



Order Flow Control Valve separately

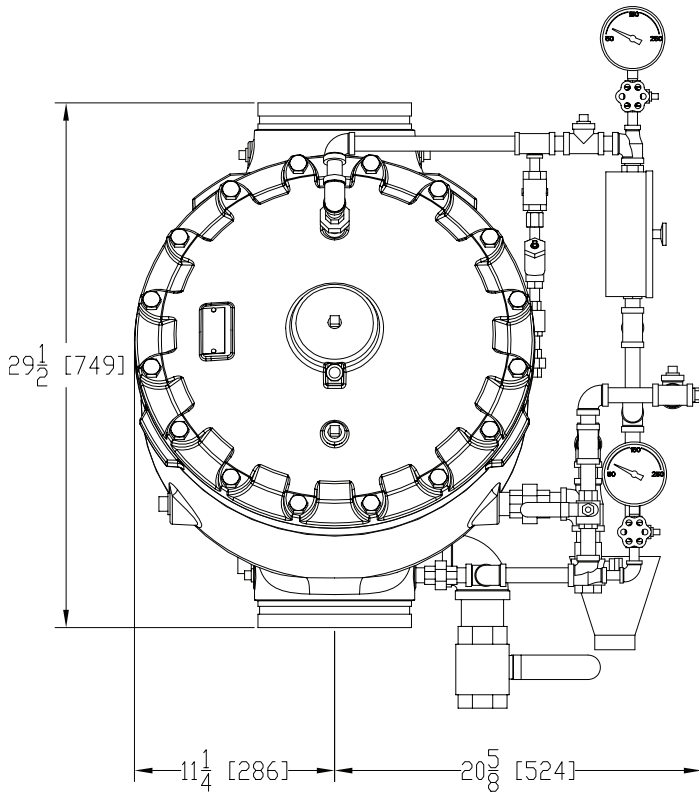


TECHNICAL DATA

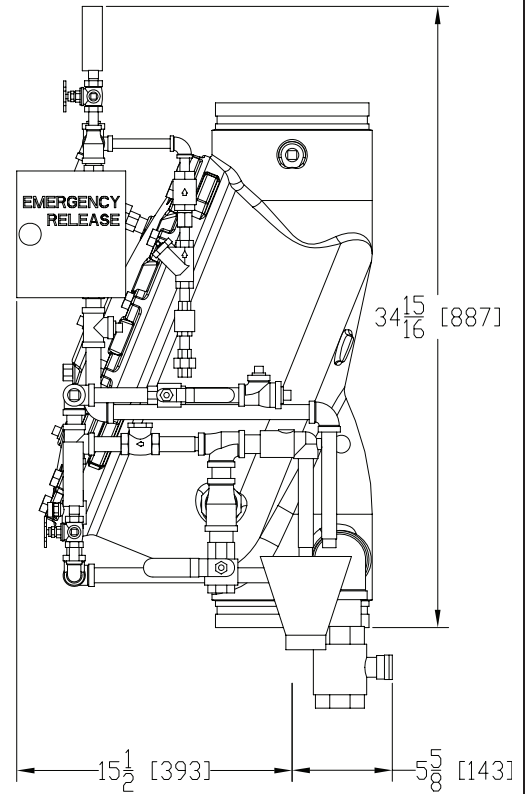
FLOW CONTROL TRIM
8" (DN200) MODEL J
STRAIGHT THROUGH VERTICAL VALVE

The Viking Corporation, 210 N Industrial Park Drive, Hastings MI 49058
Telephone: 269-945-9501 Technical Services 877-384-5464 Fax: 269-945-4495 Email: techsvcs@vikingcorp.com

Installation Dimensions



Front View



Side View

THIS PAGE
INTENTIONALLY
LEFT BLANK