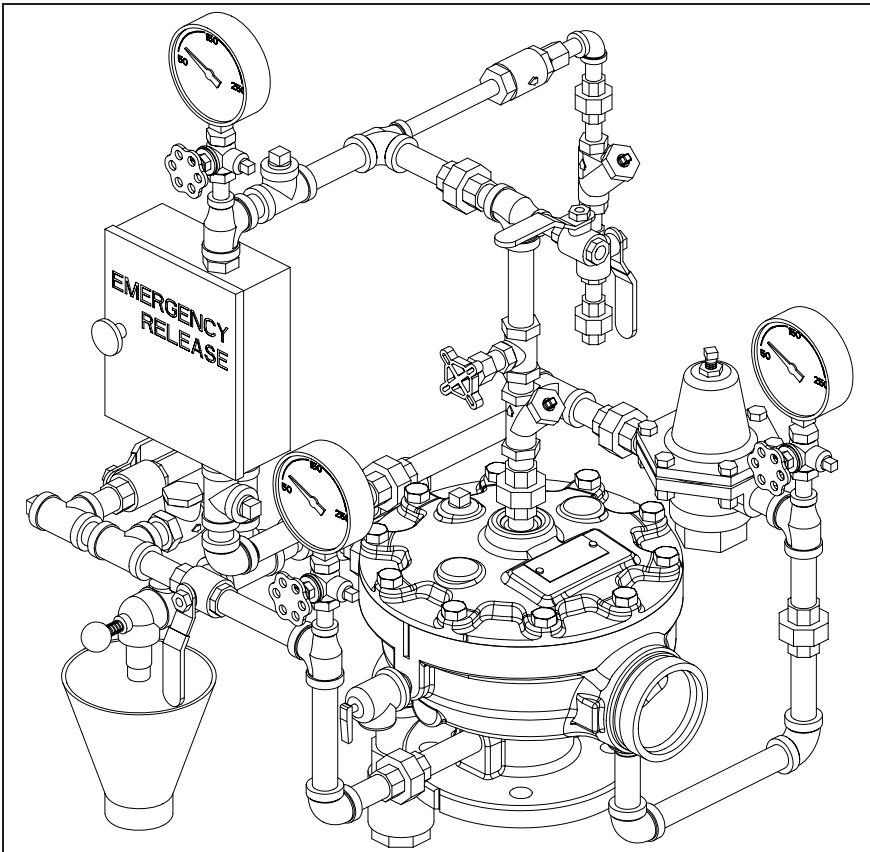


	<h1 style="margin: 0;">TECHNICAL DATA</h1>	<p><b>PILOT REGULATING FLOW CONTROL TRIM</b></p> <p>3" (DN80) MODEL H</p> <p>FLOW CONTROL VALVE</p>
---	--	---

The Viking Corporation, 210 N Industrial Park Drive, Hastings MI 49058  
 Telephone: 269-945-9501 Technical Services 877-384-5464 Fax: 269-818-1680 Email: techsvcs@vikingcorp.com



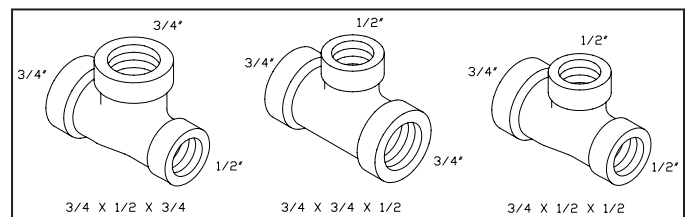
Valve Size	Galvanized Trim Part No.	Brass Trim Part No.
3" (DN80)	14765-1	14765-2
<b>This trim is for use with the following Release Module Trim Kits</b>		
Release Type	Galvanized	Brass
Electric	<a href="#">10830</a>	<a href="#">10832</a>
<p><b>Note:</b> Nipple lengths for brass trim may vary from those shown on this Trim Chart.</p>		

Note: When viewing this data page online, [blue](#) text represents hyper links and will open the appropriate data page when clicked.

**Notes: For use with Trim Charts on Page 543 e**

**General Notes:**

- Valve must be trimmed as shown. Any deviation from trim size or arrangement may affect the proper operation of the valve.
- Dimensions in parenthesis are millimeters.
- Viking uses ANSI tee designations (large outlet on run, small outlet on run, side outlet) in all trim call-outs.



**Note 1:** Release System connection.

**Note 2:** Alarm Connections: Connect alarm line piping to 3/4" (20 mm) NPT outlet. When using a Water Motor Alarm, a strainer is required. 1/2" (15 mm) NPT outlet is for electric Alarm Pressure Switch.

**Note 3:** Optional non-interruptible connection for Alarm Pressure Switch to activate electric alarm panel. Note: After the Deluge Valve trips, this location cannot be shut off. Alarms may operate until the outlet chamber of the deluge valve is de-pressurized below the set point of the Alarm Pressure Switch.

**Note 4:** Viking Drain Check Valve is manufactured with a 0.067" (1.7 mm) orifice to allow alarm line to drain. Do not substitute. Check label for proper orientation.



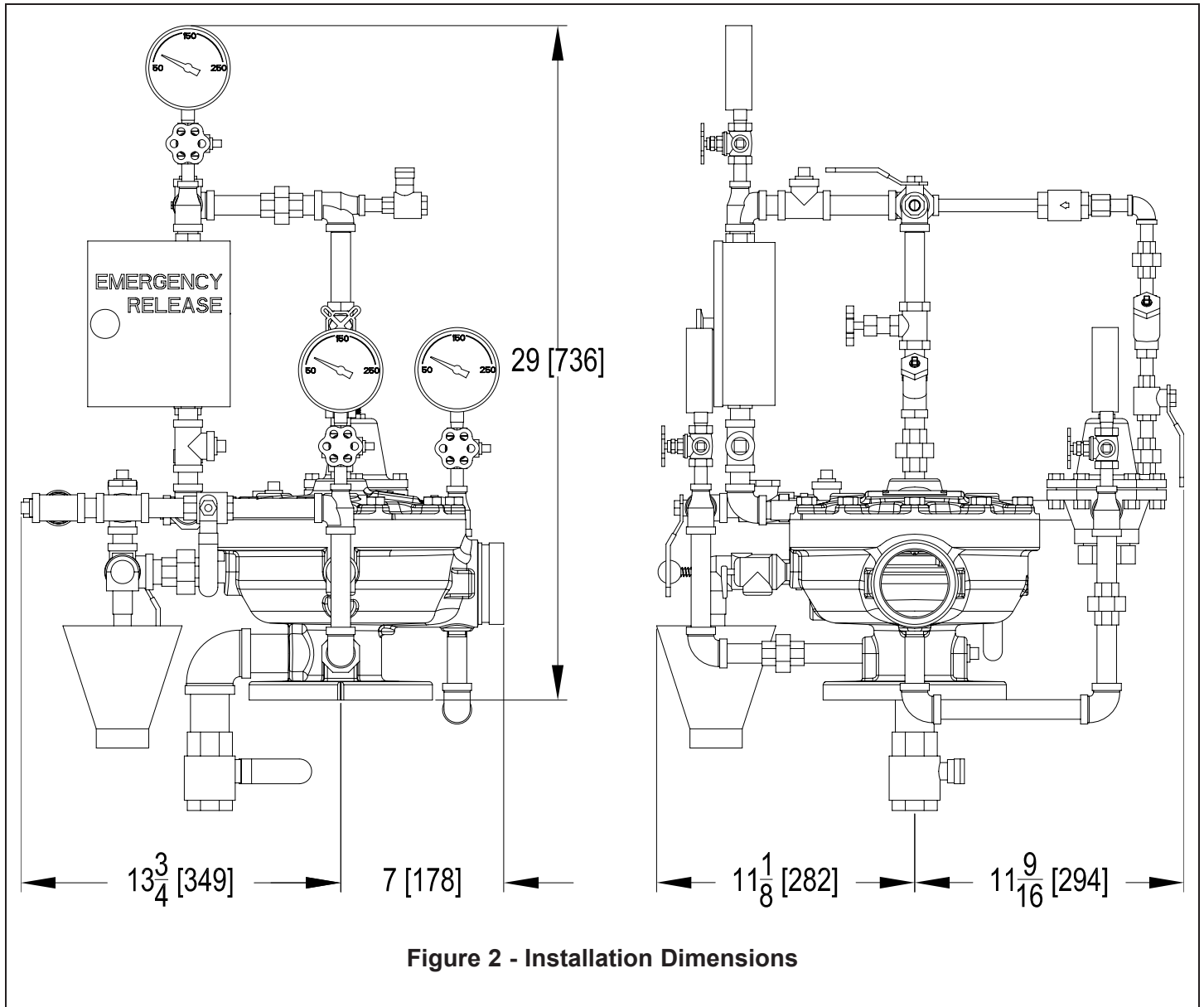


# TECHNICAL DATA

**PILOT REGULATING  
FLOW CONTROL TRIM**  
3" (DN80) MODEL H  
FLOW CONTROL VALVE

The Viking Corporation, 210 N Industrial Park Drive, Hastings MI 49058

Telephone: 269-945-9501 Technical Services 877-384-5464 Fax: 269-818-1680 Email: techsvcs@vikingcorp.com



**THIS PAGE  
INTENTIONALLY  
LEFT BLANK**