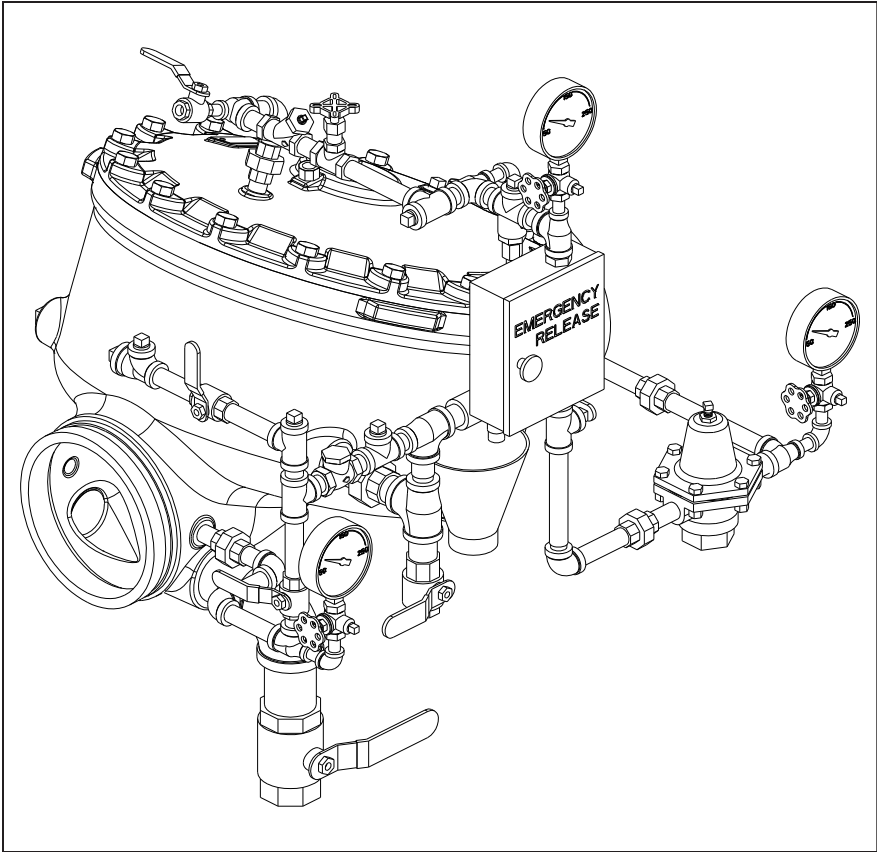


	<h1 style="margin: 0;">TECHNICAL DATA</h1>	<h2 style="margin: 0;">PILOT REGULATING FLOW CONTROL HORIZONTAL TRIM</h2> <p style="margin: 0;">8" (DN200) MODEL J</p> <p style="margin: 0;">FLOW CONTROL VALVE</p>
---	--	---

The Viking Corporation, 210 N Industrial Park Drive, Hastings MI 49058
 Telephone: 269-945-9501 Technical Services 877-384-5464 Fax: 269-818-1680 Email: techsvcs@vikingcorp.com



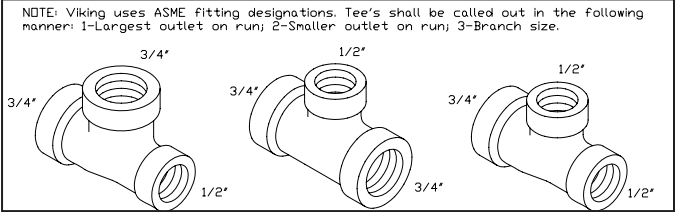
This Trim Chart is for use with the following Viking Pilot Pressure Regulating Trim Sets		
Valve Size	Galvanized Trim Part No.	Brass Trim Part No.
8" (DN200)	14777-1	14777-2
This trim is for use with the following Release Module Trim Kits		
Release Type	Galvanized	Brass
Electric	10830	10832
Note: Nipple lengths for brass trim may vary from those shown on this Trim Chart.		

Note: When viewing this data page online, [blue](#) text represents hyper links and will open the appropriate data page when clicked.

Notes: For use with Trim Charts on Page 545 n

General Notes:

- Valve must be trimmed as shown. Any deviation from trim size or arrangement may affect the proper operation of the valve.
- Dimensions in parenthesis are millimeters.
- Viking uses ANSI tee designations (large outlet on run, small outlet on run, side outlet) in all trim call-outs.



- Note 1:** Release System connection.
- Note 2:** Alarm Connections: Connect alarm line piping to 3/4" (20 mm) NPT outlet. When using a Water Motor Alarm, a strainer is required. 1/2" (15 mm) NPT outlet is for electric Alarm Pressure Switch.
- Note 3:** Optional non-interruptible connection for Alarm Pressure Switch to activate electric alarm panel. Note: After the flow control valve trips, this location cannot be shut off. Alarms may operate until the outlet chamber of the flow control valve is de-pressurized below the set point of the Alarm Pressure Switch.
- Note 4:** Viking Drain Check Valve is manufactured with a 0.067" (1.7 mm) orifice to allow alarm line to drain. Do not substitute. Check label for proper orientation.

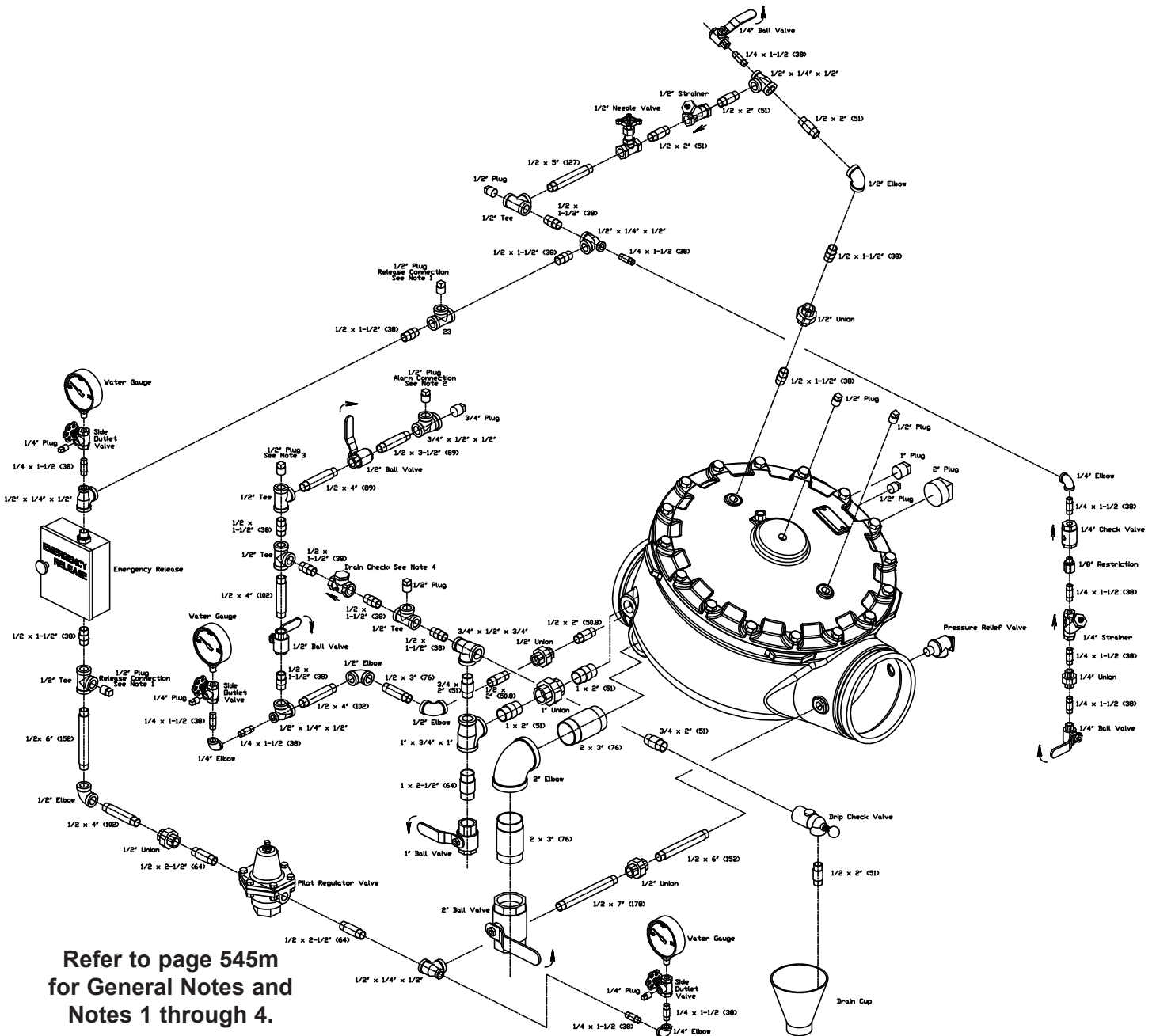


TECHNICAL DATA

PILOT REGULATING FLOW CONTROL HORIZONTAL TRIM 8" (DN200) MODEL J FLOW CONTROL VALVE

The Viking Corporation, 210 N Industrial Park Drive, Hastings MI 49058

Telephone: 269-945-9501 Technical Services 877-384-5464 Fax: 269-818-1680 Email: techsvcs@vikingcorp.com



Refer to page 545m
for General Notes and
Notes 1 through 4.

Order Flow Control Valve
Separately

Figure 1

8" Pilot Regulating Trim for Model J Flow Control Valve



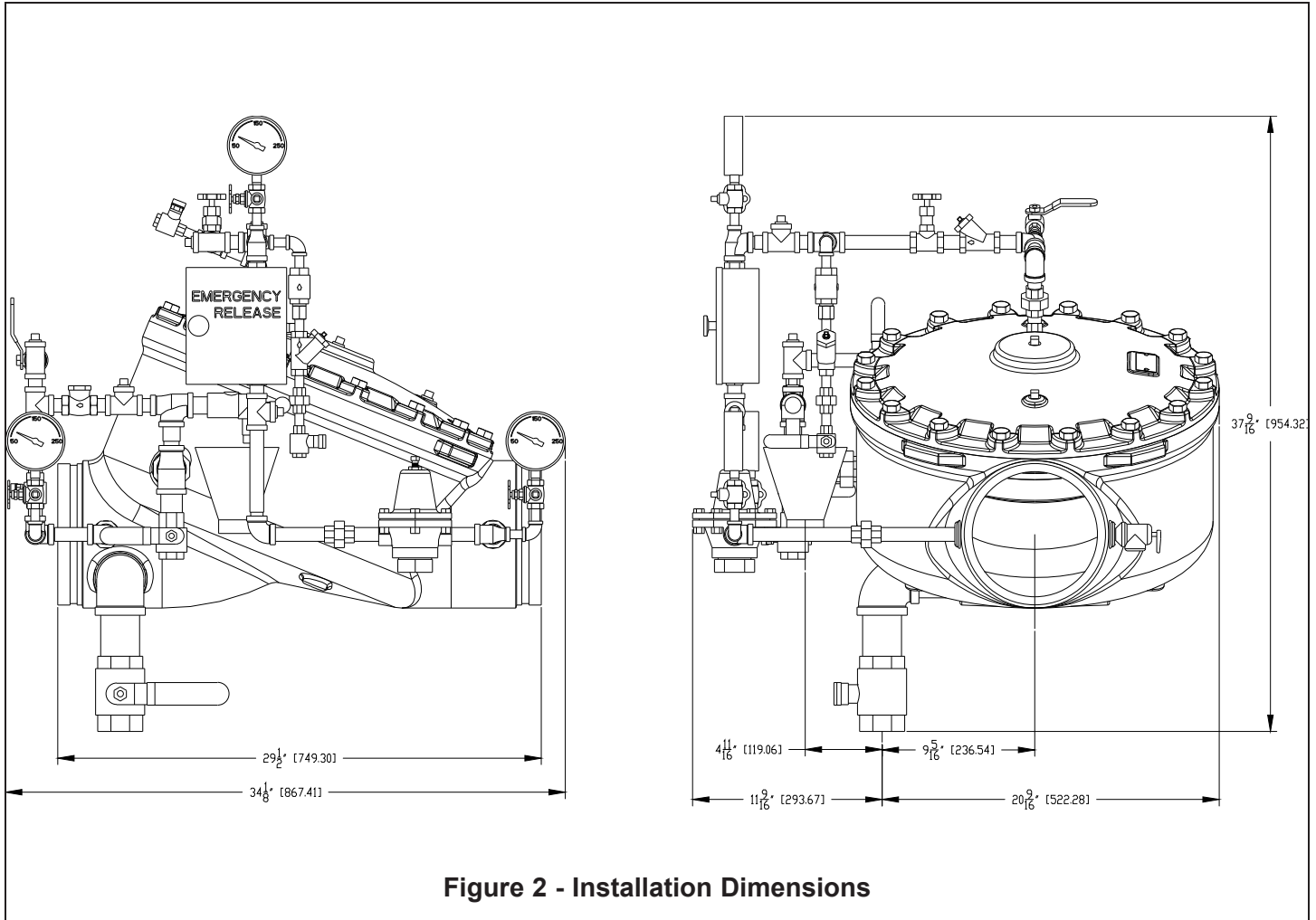
TECHNICAL DATA

PILOT REGULATING FLOW CONTROL HORIZONTAL TRIM

8" (DN200) MODEL J
FLOW CONTROL VALVE

The Viking Corporation, 210 N Industrial Park Drive, Hastings MI 49058

Telephone: 269-945-9501 Technical Services 877-384-5464 Fax: 269-818-1680 Email: techsvcs@vikingcorp.com



**THIS PAGE
INTENTIONALLY
LEFT BLANK**