

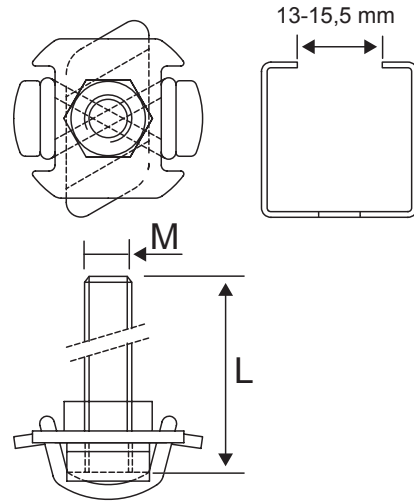


## Channel Nuts (for use with C-Channel and Cantilever C-E0)

### C-FIX

#### Technical Features

- **Sizes:** M8 (Lengths - 30, 40 and 60) and M10 (Lengths - 40 and 60)  
To fit C-Channel : 27/8, 27/30, 30/15, 34/29, 35/35, 38/40  
Flat Rail Cantilever C-E0: 27/30, 38/40
- **Material :** Carbon steel
- **Finish :** Electro Zinc Plated
- **Specifications :** To be used in conjunction with C-Channel and Cantilever C-E0. Turn nut 90° for snap fit. Premounted for use with pipe clips or other channel accessories. Height adjustable.



Pipe Support

### Channel Nuts (for use with C-Channel and Cantilever C-E0) - C-FIX

Physical Data

Thread Size (M)	Length (mm)	Box Qty.	Weight (x1) (kg / lbs)	Reference
M8	30	100	0,04 / 0.09	584530
M8	40	100	0,04 / 0.09	584540
M8	60	100	0,05 / 0.11	584550
M10	40	100	0,05 / 0.11	584560
M10	60	100	0,06 / 0.13	584570