

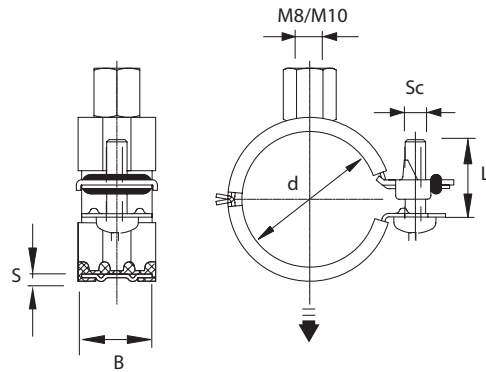


Pipe Clamp with Rubber Insulation (One piece)

Pipe Support

Technical Features

- **Sizes (Pipe Accomodation Diameter):** 12mm through 63mm
- **Hanger Thread Size :** M8/M10 Combination Boss.
- **Closure Cylinder Head Screw Sizes :** M6x25 to M8x35
- **Temperature Rating :** from -50°C up to +110°C
- **Fire Rating :** B2 according to DIN 4102
- **Materials :**
Profile: Carbon steel
Rubber: EPDM
- **Finish :** Electro Zinc Plated
- **Specification :** To be used with Threaded Rod (not supplied).
EPDM rubber insulated for sound reduction, compliant with DIN 4109



Pipe Clamp with Rubber Insulation - One Piece

Physical Data

Reference	Nominal Pipe Size		Thread	Sc x L	d (mm)	Box Qty.	Weight (x1) (kg / lbs)
	metric (DN)	inch					
596550	DN8	1/4"	M8/M10	M6x25	12-15	100	0,04 / 0.09
596560	DN10	3/8"	M8/M10	M6x25	15-19	100	0,04 / 0.09
596570	DN15	1/2"	M8/M10	M6x25	20-24	100	0,05 / 0.11
596580	DN20	3/4"	M8/M10	M6x30	25-30	100	0,05 / 0.11
596590	DN25	1"	M8/M10	M6x30	32-37	100	0,06 / 0.13
596600	DN32	1 1/4"	M8/M10	M6x35	40-45	50	0,08 / 0.18
596610	DN40	1 1/2"	M8/M10	M6x35	48-53	50	0,08 / 0.18
596630	DN50	2"	M8/M10	M6x35	59-63	50	0,11 / 0.24