

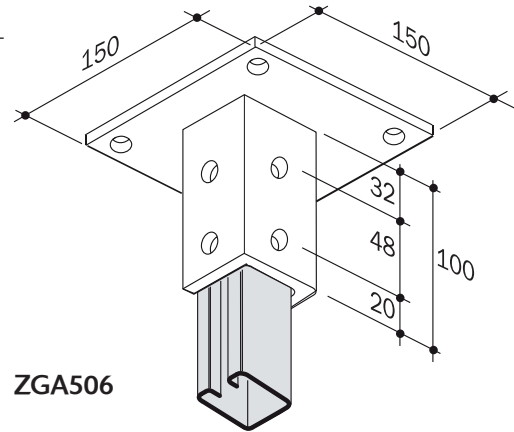


Base Rail Plates for Strut Channel

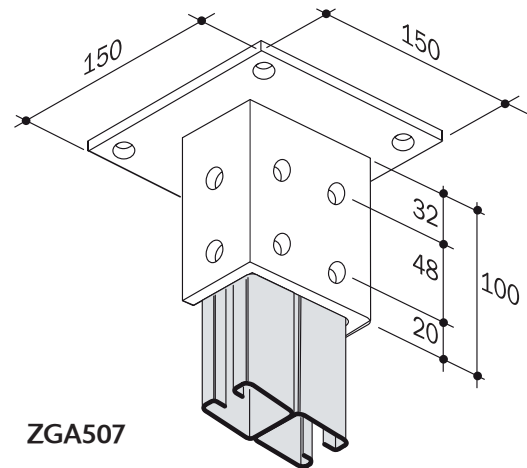
ZGA506 & ZGA507

Technical Features

- **Sizes:** To fit Strut Channel: 41/41, 41/82
- **Material :** Carbon steel
- **Finish :** Hot dip galvanized
- **Specifications :** To be used in conjunction with Strut Channel (See separate datasheets).
Drilled for M10 screws.



ZGA506



ZGA507

Base Rail Plates for Curved Rails - ZGA506 & ZGA507

Physical Data

Type	Compatible Rail Section	Length (mm)	Box Qty.	Weight (x1) (kg / lbs)	Reference
ZGA506	41 x 41 x 1,5	100	3	1,74 / 3.83	313822
	41 x 41 x 2,5				
ZGA507	2 x 41 x 41 x 2,5	100	3	1,85 / 4.07	313823