

# 10W Electromagnetic Flowmeter

*New low-cost Magnetic Flowmeter for water applications*



## Benefits

Promag measuring devices offer you cost-effective flow measurement with a high degree of accuracy for a wide range of process conditions.

The uniform Proline transmitter concept comprises:

- *High degree of reliability and measuring stability*
- *Uniform operating concept*

Promag sensors offer:

- *No pressure loss*
- *Not sensitive to vibrations*
- *Simple installation and commissioning*



## Technical Specifications

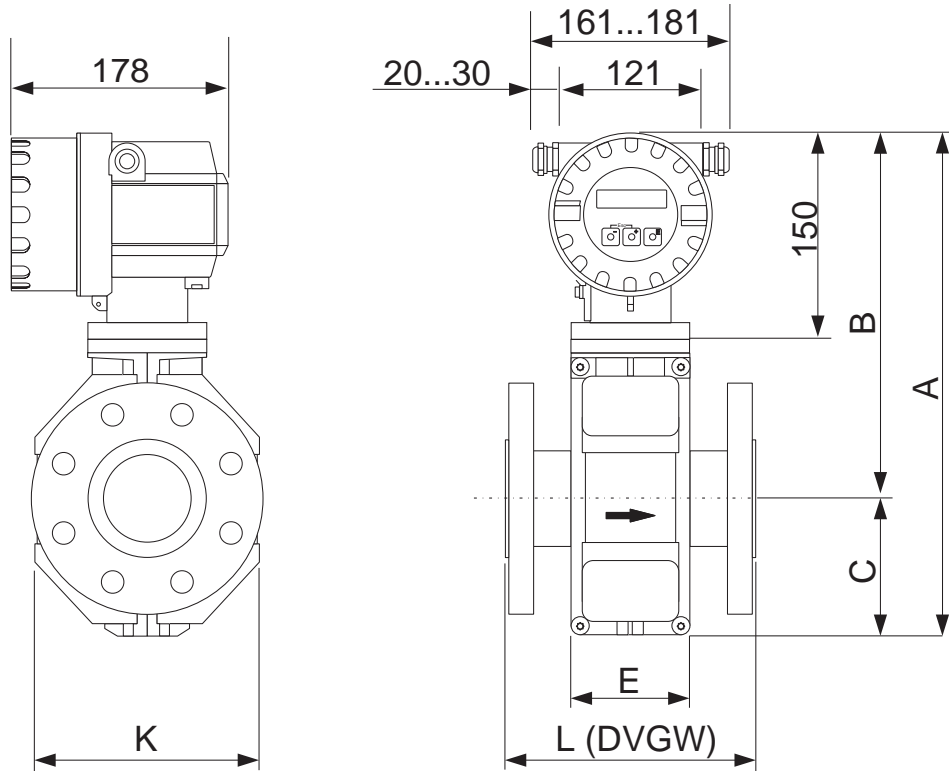
- **Diameters** - DN 25-DN2000
- **Measuring Range** - 0-10 m/s; 0-110'000 m<sup>3</sup>/h
- **Pressure PN (Option)** - PN 6-40; CI 150-300; JIS 10-20 K; AWWA Class D; AS Table E, CI. 14
- **Process Temperature** - -20 - +80 °C
- **Material Range (wetted parts)** - Hard rubber-liner; Polyurethan-liner
- **Process Connection** - Flange, DIN, ANSI, JIS, AWWA, AS
- **Protection** - IP 67/IP 68; (NEMA 4X/6P)
- **Housing Material** - Compact Aluminium
- **Display/Operating** - Two line liquid crystal display/push button
- **Ambient Temperature** - -20...+60 °C
- **Power Supply** - 85-250 V AC (45-65 Hz); 20-28 V AC (45-65 Hz); 11-40 V DC
- **Outputs** - 4-20 mA; Pulse, Status
- **Accuracy** -  $\pm 0.5\%$
- **Approvals** - CE; FM/CSAL 1 Div. 2: VdS (Sizes DN25 - DN250)
- **Water authority approved versions available on request** - WRAS, KTW, etc.

**VIKING**<sup>®</sup>  
SupplyNet<sup>®</sup>

# 10W Electromagnetic Flowmeter

## Physical Data

Reference	Nominal Size	Recommended Flow Rates	Dimensions (mm)						Approvals	Weight (kg/lb)
			L	A	B	C	K	E		
10W1F-UC0AVAA0B4AA	DN150	20-600 M <sup>3</sup> /h	300	462	312	150	260	140	VdS	23.9 / 52.7
10W1F-UC0A1RA0B4AA	DN150	20-600 M <sup>3</sup> /h	300	462	312	150	260	140	FM	23.9 / 52.7
10W2H-UD0AVAA0A4AA	DN200	35-1100 M <sup>3</sup> /h	350	517	337	180	342	156	VdS	43.4 / 95.7
10W2H-UD0A1RA0B4AA	DN200	35-1100 M <sup>3</sup> /h	350	517	337	180	342	156	FM	43.4 / 95.7



## Materials List

Description	Material
Transmitter Housing	Powder coated die-cast aluminium
Sensor Housing	Powder coated die-cast aluminium
Measuring Tube	Stainless steel 1.4301 or 1.4306/304L; Al/Zn protective coating
Flanges	DIN: ST37 / FE 410W B with Al/Zn protective coating
	ANSI: A105 with Al/Zn protective coating
	JIS: S20C with Al/Zn protective coating
Ground Disks	1.4435/316L or Alloy C-22
Electrodes:	1.4435/316L, Alloy C-22
Seals	to DIN EN 1514-1

**Viking S.A.**  
 Z.I. Haneboesch  
 L-4562 Differdange / Niedercorn  
 Luxembourg  
 Tel.: +352 58 37 37 - 1  
 Fax: +352 58 37 36  
 E-mail: [vikinglux@vikingcorp.com](mailto:vikinglux@vikingcorp.com)  
 Web: [www.vikinggroupinc.com](http://www.vikinggroupinc.com)

**VIKING**<sup>®</sup>  
 SupplyNet<sup>®</sup>