



TECHNICAL DATA

FLOW CONTROL VALVE MODEL J-1 2-1/2" - 8" (DN65 - DN200)

The Viking Corporation, 210 N Industrial Park Drive, Hastings MI 49058

Telephone: 269-945-9501 Technical Services: 877-384-5464 Fax: 269-818-1680 Email: techsvcs@vikingcorp.com

Visit the Viking website for the latest edition of this technical data page.

1. DESCRIPTION

The Viking Flow Control Valve is a quick opening, differential diaphragm flood valve with a spring loaded floating clapper. The Flow Control Valve can be used to facilitate manual or automatic on/off control. It can also be used to control water pressure or flow rates. As an on/off control valve it is used on deluge systems, sprinkler systems, or to automatically fill tanks or reservoirs.

Features

1. Field replaceable Diaphragm and Seat Rubbers
2. Designed for installation in the horizontal or vertical position
3. Compatible with Hydraulic (See Figures 2-5), Pneumatic, and/or Electric Detection Systems
4. Designed to be reset without opening the valve.
5. Can be trimmed to automatically reset electrically or manually.
6. Accessories:
 - a. A Conventional Trim package for use with the Model J Flow Control Valve. The trim package includes all required trim components and all fittings and nipples shown on the Viking Model J Flow Control Valve Conventional Trim Chart for the valve used. Trim Charts are provided in trim packages and on the Viking website. For optional pre-assembled trim packages, refer to the Viking list price schedule or contact the manufacturer.
 - b. Auxiliary Components are required for specific valve functions. For complete operating trim requirements refer to System Data for the system used. System Data is provided on the Viking website.

NOTE: FOR PART NUMBERS OF ACCESSORIES, REFER TO VIKING LIST PRICE SCHEDULE.



2. LISTINGS AND APPROVALS:

U.L. Listed - Guide No. VLFT & VLLA
 C-UL Listed
 FM Approved
 ABS Certificate number - 04-CH557068-X
 NYC Department of Buildings - MEA 89-92-E Vol. XXXI

3. TECHNICAL DATA

Specifications:

Style: Straight through pattern
 Connections available: Refer to Table 1
 Water Pressure Rating: 250 PSI (17.2 bar) working water pressure
 Hydrostatically tested: to 500 PSI (34.5 bar) at factory
 Priming Chamber supply restriction (required): 0.125" (3.1 mm).
 Color: Red
 Friction Loss: Refer to Table 1
 C_v Factor: Refer to Table 1

Material Standards:

Refer to Figure 6.

Ordering Information:

Refer to Table 1 for part numbers and shipping weights.

$$Q = C_v \sqrt{\frac{\Delta P}{S}}$$

Q = Flow
 C_v = Flow Factor (GPM/1 PSI ΔP)
 ΔP = Pressure Loss through Valve
 S = Specific Gravity of Fluid

4. INSTALLATION (Refer to Figure 1 for identification of trim components.)

A. General Instruction

1. Viking Flow Control Valves may be installed in the horizontal or vertical position.
Note: For positions other than vertical, minor modification of trim may be required to facilitate drainage from outlet chamber of the Flow Control Valve (consult manufacturer).
2. The valve must be installed in an area not subject to freezing temperatures or physical damage.
3. The valve must be trimmed according to current Viking Model J Conventional Trim Charts and appropriate instructions for the system used. Trim Charts are printed on the Viking website, and are provided with trim packages. For additional trim connections, refer to technical data describing the system being installed.
4. The priming line must be connected upstream of the system water supply main control valve or to a constant source of water at a pressure equal to the system water supply.



TECHNICAL DATA

**FLOW CONTROL VALVE
MODEL J-1
2-1/2" - 8" (DN65 - DN200)**

The Viking Corporation, 210 N Industrial Park Drive, Hastings MI 49058

Telephone: 269-945-9501 Technical Services: 877-384-5464 Fax: 269-818-1680 Email: techsvcs@vikingcorp.com

Visit the Viking website for the latest edition of this technical data page.

Table 1: Valve Part Numbers and Specifications

Description	Nominal Size	Part Number	Friction Loss*	C _v Factor	Shipping Weight
Threaded					
Pipe O.D.					
NPT 65 mm	2½"	12405	12 ft. (3.6 m)	155	66 lbs. (30 kg)
Flange/Flange					
Flange Drilling					
ANSI	3"	12016	22 ft. (6.7 m)	198	81 lbs. (37 kg)
ANSI	4"	11968	21 ft. (6.4 m)	416	125 lbs. (57 kg)
ANSI	6"	11970	39 ft. (11.9 m)	884	235 lbs. (107 kg)
ANSI	8"	11993	57 ft. (17.4 m)	1500	405 lbs. (184 kg)
ANSI/Japan	4"	11975	21 ft. (6.4 m)	416	125 lbs. (57 kg)
ANSI/Japan	6"	11981	39 ft. (11.9 m)	884	235 lbs. (107 kg)
PN10/16	DN80	12028	22 ft. (6.7 m)	198	81 lbs. (37 kg)
PN10/16	DN100	11973	21 ft. (6.4 m)	416	125 lbs. (57 kg)
PN10/16	DN150	11971	39 ft. (11.9 m)	884	235 lbs. (107 kg)
PN10	DN200	11997	57 ft. (17.4 m)	1500	405 lbs. (184 kg)
PN16	DN200	12001	57 ft. (17.4 m)	1500	405 lbs. (184 kg)
Flange/Groove					
Flange Drilling / Pipe O.D.					
ANSI / 89 mm	3"	12020	22 ft. (6.7 m)	198	73 lbs. (33 kg)
ANSI / 114 mm	4"	11967	21 ft. (6.4 m)	416	125 lbs. (57 kg)
ANSI / 168 mm	6"	11969	39 ft. (11.9 m)	884	235 lbs. (107 kg)
PN10/16 / 89 mm	DN80	12031	22 ft. (6.7 m)	198	73 lbs. (33 kg)
PN10/16 / 114 mm	DN100	11974	21 ft. (6.4 m)	416	125 lbs. (57 kg)
PN10/16 / 165 mm	DN150	12642	39 ft. (11.9 m)	884	235 lbs. (107 kg)
PN10/16 / 168 mm	DN150	11969	39 ft. (11.9 m)	884	235 lbs. (107 kg)
Groove/Groove					
Pipe O.D.					
73 mm	2½" / 65mm	12407	12 ft. (3.6 m)	155	66 lbs. (30 kg)
76 mm	DN80	12731	12 ft. (3.6 m)	155	66 lbs. (30 kg)
89 mm	3" / DN80	12024	22 ft. (6.7 m)	198	65 lbs. (29 kg)
114 mm	4" / DN100	11516	21 ft. (6.4 m)	416	125 lbs. (57 kg)
165 mm	DN150	11912	39 ft. (11.9 m)	884	235 lbs. (107 kg)
168 mm	6" / DN150	11527	39 ft. (11.9 m)	884	235 lbs. (107 kg)
219 mm	8" / DN200	11019	57 ft. (17.4 m)	1500	405 lbs. (184 kg)

*Expressed in equivalent length of Schedule 40 pipe based on Hazen & Williams formula C = 120.



TECHNICAL DATA

**FLOW CONTROL VALVE
MODEL J-1
2-1/2" - 8" (DN65 - DN200)**

The Viking Corporation, 210 N Industrial Park Drive, Hastings MI 49058

Telephone: 269-945-9501 Technical Services: 877-384-5464 Fax: 269-818-1680 Email: techsvcs@vikingcorp.com

Visit the Viking website for the latest edition of this technical data page.

5. After the Flow Control Valve is set, operation of the Flow Control Valve requires the release of priming water from the priming chamber. This may be by automatic or manual operation of the release system. Viking Flow Control Valves are compatible with hydraulic, pneumatic, and electric release systems. For specific Trim arrangements, refer to Trim Charts, Technical Data, and System Data describing the system being installed. Trim Charts are on the Viking website and are provided with trim packages. Technical Data and System Data sheets are on the Viking website.

a. Hydraulic Release Systems: See Figures 2-5 for the maximum allowable elevation of hydraulic release piping above the Flow Control Valve. If the maximum height of hydraulic release piping exceeds the limit shown in Figures 2-5 for the valve used, use a Pneumatic or Electric Release System.

b. Pneumatic Release Systems: A Viking Pneumatic Actuator is required between the release system connection provided on flow Control Trim and pneumatic release system piping.

⚠ CAUTION

When releasing devices capable of automatically resetting are used on the pneumatic release system of a Flow Control Valve, Viking Model F Deluge Valve Conventional Trim, complete with PORV, is required.

c. Electric Release Systems: Solenoid Valves, Release Control Panels, and Electrical Detectors must be compatible. Consult appropriate listing and/or approval guides.

6. The Viking Flow Control Valve can be trimmed to automatically reset electrically or manually. For specific Trim arrangements refer to System Data describing the system being installed.

NOTE: DO NOT INSTALL ANY RELEASING DEVICE, OR VALVE USED TO AUTOMATICALLY RESET THE FLOW CONTROL VALVE, ON PNEUMATIC RELEASE PIPING.

For pneumatic release systems, any releasing valve or device used to automatically reset the Flow Control Valve must be installed in the trim piping between the Pneumatic Actuator and the priming chamber outlet.

⚠ CAUTION

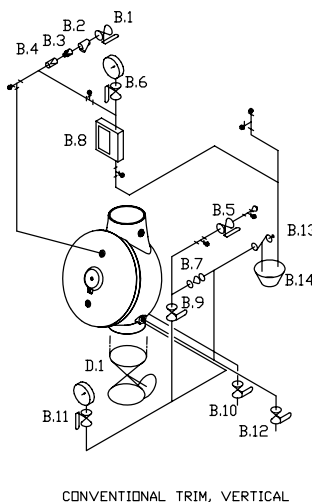
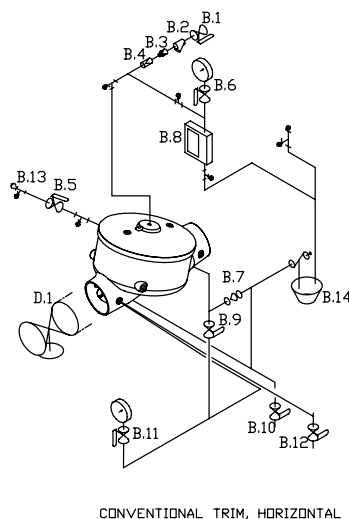
Operation of Viking Flow Control Valves by pressurizing the priming chamber with air or any other pressurized gas is not recommended or approved.

B. Placing the Valve in Service

Refer to Figure 1 and/or appropriate Trim Charts and System Data for the system used.

1. Verify:

- The system Main Water Supply Control Valve (D.1) is closed and the Flow Control Valve is trimmed according to current Viking Trim Charts and schematic drawings for the system used.
- The system has been properly drained.
- Auxiliary Drain (B.12) is open.



- B.1 PRIMING VALVE (NORMALLY OPEN)
- B.2 STRAINER
- B.3 1/16" RESTRICTED ORIFICE
- B.4 SPRING LOADED CHECK VALVE
- B.5 ALARM SHUT-OFF VALVE (NORMALLY OPEN)
- B.6 PRIMING PRESSURE WATER GAUGE AND VALVE
- B.7 DRAIN CHECK VALVE
- B.8 EMERGENCY RELEASE
- B.9 ALARM TEST VALVE (NORMALLY CLOSED)
- B.10 FLOW TEST VALVE (NORMALLY CLOSED)
- B.11 WATER SUPPLY PRESSURE GAUGE AND VALVE
- B.12 AUXILIARY DRAIN VALVE (NORMALLY CLOSED)
- B.13 DRIP CHECK VALVE
- B.14 DRAIN CUP
- D.1 WATER SUPPLY CONTROL VALVE

Figure 1



TECHNICAL DATA

**FLOW CONTROL VALVE
MODEL J-1
2-1/2" - 8" (DN65 - DN200)**

The Viking Corporation, 210 N Industrial Park Drive, Hastings MI 49058

Telephone: 269-945-9501 Technical Services: 877-384-5464 Fax: 269-818-1680 Email: techsvcs@vikingcorp.com

Visit the Viking website for the latest edition of this technical data page.

- d. The Emergency Release (B.8) is closed.
- e. The system water supply piping is pressurized up to the closed Main Water Supply Control Valve (D.1) and the priming line is pressurized up to the closed Priming Valve (B.1).
2. For Systems equipped with:
 - a. Hydraulic Release Systems:
 - i. Verify that all releasing devices are set and that any Inspector's Test Valve and/or auxiliary drain valves are closed.
 - ii. Open Priming Valve (B.1). Proceed to step 3.
 - b. Pneumatic Release Systems:
 - i. Set the release system.
 - ii. Open Priming Valve (B.1). Proceed to step 3.
 - c. Electric Release Systems:
 - i. Open Priming Valve (B.1).
 - ii. Set the electric release system. Proceed to step 3.
3. Open Flow Test Valve (B.10).
4. Partially open Main Water Supply Control Valve (D.1).
5. When full flow develops from the Flow Test Valve (B.10), close the Flow Test Valve. Verify that there is no flow from the open Auxiliary Drain (B.12).
6. Close Auxiliary Drain (B.12).
7. Fully open and secure the Main Water Supply Control Valve (D.1).
8. Verify that the Alarm Shut-off Valve (B.5) is open and that all other valves are in their normal* operating position.
9. Depress the plunger of Drip Check (B.13). No water should flow from the Drip Check when the plunger is pushed.
10. Check for, and repair all leaks.
11. On new installations, those systems that have been placed out of service or where new equipment has been installed, trip test the system to verify that all equipment functions properly. Refer to INSPECTION, TESTS AND MAINTENANCE paragraph 6-B: ANNUAL maintenance instructions.

CAUTION

Performing a trip test results in operation of the Flow Control Valve. Water will flow into the sprinkler piping. Take necessary precautions to prevent damage.

12. After completing a trip test, perform SEMI-ANNUAL maintenance.

C. Automatic Resetting (Refer to Figure 1 for identification of trim components.)

To automatically reset the Flow Control Valve after it has operated:

1. Do NOT close the water supply main control valve (D.1). The priming valve (B.1) must be OPEN.
2. Automatically or manually reset any open devices on the hydraulic release system to stop all flow of water out of the priming chamber.

CAUTION

Resetting or closing releasing devices or valves on pneumatic release piping will NOT automatically cause the Flow Control Valve to reset. Do NOT install any releasing device or valve used to automatically reset the Flow Control Valve, on pneumatic release piping.

3. System supply pressure will enter the priming chamber through the restricted priming line connected to the priming chamber inlet.
4. When the combined force of spring pressure and system supply pressure entering the priming chamber overcomes the velocity pressure of water flowing through the valve, the clapper will close.
5. Flow through the valve will stop.
6. To reactivate the system, open a releasing device. Priming water will escape from the priming chamber faster than it is replaced through the restricted priming line, allowing the Flow Control Valve to open.



TECHNICAL DATA

**FLOW CONTROL VALVE
MODEL J-1
2-1/2" - 8" (DN65 - DN200)**

The Viking Corporation, 210 N Industrial Park Drive, Hastings MI 49058

Telephone: 269-945-9501 Technical Services: 877-384-5464 Fax: 269-818-1680 Email: techsvcs@vikingcorp.com

Visit the Viking website for the latest edition of this technical data page.

D. Valve Removed From Service

NOTE: WHEN A VALVE HAS BEEN REMOVED FROM SERVICE AND IS SUBJECT TO FREEZING OR WILL BE OUT OF SERVICE FOR AN EXTENDED PERIOD OF TIME, ALL WATER MUST BE REMOVED FROM THE PRIMING CHAMBER, TRIM PIPING, WATER SUPPLY PIPING AND OTHER TRAPPED AREAS.

5. OPERATION (Refer to Figure 6)

The Model J-1 Flow Control valve has an inlet chamber, an outlet chamber, and a priming chamber. The inlet chamber and outlet chamber are separated from the priming chamber by the clapper (5) and diaphragm (6). System pressure enters the priming chamber through a restricted priming line (trim) equipped with a check valve.

In the SET position:

System pressure is trapped in the priming chamber to hold clapper (5) on seat (2) due to area differential of the clapper, and spring (15) pressure. Clapper (5) separates the inlet from the outlet, keeping the system piping dry.

In fire conditions:

When the release system operates, pressure is released from the priming chamber faster than it is supplied through the restricted priming line. Water supply pressure in the inlet chamber forces the clapper (5) off from seat (2) allowing water to flow through the outlet and into the system piping and alarm devices.

To automatically reset, flow of water out of the priming chamber is stopped. This can be done manually (by closing a valve in the hydraulic release piping), or electrically (by closing a solenoid valve in the hydraulic release piping). When the combined force of spring (15) pressure and system supply pressure entering the priming chamber overcomes the velocity pressure of water flowing through the valve, the clapper (5) will close. Flow through the valve will stop.

6. INSPECTIONS, TESTS AND MAINTENANCE (Refer to Figure 1 for identification of trim components.)

A. Inspection

It is imperative that the system be inspected and tested on a regular basis. The frequency of the inspections may vary due to contaminated water supplies, corrosive water supplies or corrosive atmospheres. Also, the alarm devices, detection systems or other connected trim may require a more frequent schedule. For minimum maintenance and inspection requirements, refer to NFPA 25. In addition, the Authority Having Jurisdiction may have additional maintenance, testing, and inspection requirements that must be followed. The following recommendations are minimum requirements. (For additional information, refer to Viking Trim Charts and System Data describing systems with the release system used.)

Weekly:

Weekly visual inspection of the Viking Flow Control Valve is recommended.

1. Verify that the Main Water Supply Control Valve (D.1) is open and that all other valves are in their normal operating position and appropriately secured.
2. Check for signs of mechanical damage, leakage, and/or corrosive activity. If detected, perform maintenance as required. If necessary, replace the device.
3. Verify that the valve and trim are adequately heated and protected from freezing and physical damage.

B. Tests

Quarterly:

Quarterly testing of water flow alarms and performance of a Main Drain Test is recommended and may be required by the Authority Having Jurisdiction.

I: Water Flow Alarm Test

1. Notify the Authority Having Jurisdiction and those in the area affected by the test.
2. To test the local electric alarm (if provided) and/or mechanical water motor alarm (if provided), OPEN the alarm test valve (B.9) in the Flow Control Valve trim.
 - a. Electric alarm pressure switches (if provided) should activate.
 - b. Electric local alarms should be audible.
 - c. The local water motor gong should be audible.
 - d. If equipped with remote station alarm signaling devices, verify that alarm signals were received.
3. When testing is complete, CLOSE the alarm test valve (B.9).
4. Verify:
 - a. All local alarms stop sounding and alarm panels (if provided) reset.
 - b. All remote station alarms reset.



TECHNICAL DATA

**FLOW CONTROL VALVE
MODEL J-1
2-1/2" - 8" (DN65 - DN200)**

The Viking Corporation, 210 N Industrial Park Drive, Hastings MI 49058

Telephone: 269-945-9501 Technical Services: 877-384-5464 Fax: 269-818-1680 Email: techsvcs@vikingcorp.com

Visit the Viking website for the latest edition of this technical data page.

- c. Supply piping to water motor alarm properly drains.
5. Verify that the alarm shut-off valve (B.5) is OPEN, and the alarm test valve (B.9) is CLOSED.
6. Verify that the outlet chamber is free of water. No water should flow from the drip check (B.13) when the plunger is pushed.
7. Notify the Authority Having Jurisdiction and those in the affected area that testing is complete.

II: Main Drain Test

1. Notify the Authority Having Jurisdiction and those in the area affected by the test.
2. Record pressure reading from the water supply pressure gauge (B.11).
3. Verify that the outlet chamber of the Flow Control Valve is free of water. No water should flow from the drip check (B.13) when the plunger is pushed.
4. Fully OPEN the Flow Test Valve (B.10).
5. When a full flow is developed from the Flow Test Valve (B.10), record the residual pressure from the water supply pressure gauge (B.11).
6. When the test is complete, SLOWLY CLOSE the Flow Test Valve (B.10).
7. Compare test results with previous flow information. If deterioration of the water supply is detected, take appropriate steps to restore adequate water supply.
8. Verify:
 - a. Normal water supply pressure has been restored to the inlet chamber, the priming chamber, and the release system. The pressure on the priming chamber water pressure gauge should equal the system water supply pressure.
 - b. All alarm devices, and valves are secured in normal operating position.
9. Notify the Authority Having Jurisdiction that the test is complete. Record and/or provide notification of test results as required by the Authority Having Jurisdiction.

Annual - Annual Trip Tests are recommended.

⚠ CAUTION

Performing this test results in operation of the Flow Control Valve. Water will flow into the sprinkler piping and from any open sprinklers and/or nozzles. Take necessary precautions to prevent damage.

1. Notify the Authority Having Jurisdiction and those in the area affected by the test.
2. Fully open the Flow Test Valve (B.10) to flush away any accumulation of foreign material.
3. Close the Flow Test Valve (B.10).
4. Trip the system by operating the release system. Allow a full flow to pass through the Flow Control Valve. Water flow alarms should operate.

When test is complete:

5. For Flow Control Valves equipped with:
 - a. Hydraulic or Electric Release:
 - i: Re-set the Release System. Pressure in the priming chamber should gradually be restored. Flow through the Flow Control Valve should stop.
 - ii: Proceed to step 6.
 - b. Pneumatic Release Systems:
 - i: Close the Main Water Supply Control Valve (D.1) and Priming Valve (B.1).
 - ii: Open Auxiliary Drain Valve (B.12).
 - iii: Open all system main drains and auxiliary drains. Allow the system to drain completely. Proceed to step 6.
6. Perform SEMI-ANNUAL maintenance. Refer to paragraph 6.C.2 SEMI-ANNUAL MAINTENANCE
7. Place the system in service. Refer to Item 4.B, INSTALLATION: PLACING THE VALVE IN SERVICE.

NOTE: VALVES SUPPLIED BY BRACKISH WATER, SALT WATER, FOAM, FOAM/WATER SOLUTION, OR ANY OTHER CORROSIVE WATER SUPPLY, SHOULD BE FLUSHED WITH GOOD QUALITY FRESH WATER BEFORE BEING RETURNED TO SERVICE.

8. Notify the Authority Having Jurisdiction that the test is complete. Record and/or provide notification of test results as required by the Authority Having Jurisdiction.



TECHNICAL DATA

**FLOW CONTROL VALVE
MODEL J-1
2-1/2" - 8" (DN65 - DN200)**

The Viking Corporation, 210 N Industrial Park Drive, Hastings MI 49058

Telephone: 269-945-9501 Technical Services: 877-384-5464 Fax: 269-818-1680 Email: techsvcs@vikingcorp.com

Visit the Viking website for the latest edition of this technical data page.

C. Maintenance (Refer to Figure 1 for identification of trim components.)

NOTICE

The owner is responsible for maintaining the fire protection system and devices in proper operating condition. The Flow Control Valve must be kept from freezing conditions and physical damage that could impair its operation.

Where difficulty in performance is experienced, the valve manufacturer or authorized representative shall be contacted if any field adjustment is to be made.

WARNING

Any system maintenance which involves placing a control valve or detection system out of service may eliminate the Fire Protection capabilities of that system. Prior to proceeding, notify all Authorities Having Jurisdiction. Consideration should be given to employment of a Fire Patrol in the affected areas.

1. After Each Operation:

- a. Sprinkler systems that have been subjected to a fire must be returned to service as soon as possible. The entire system must be inspected for damage, and repaired or replaced as necessary.
- b. Flow Control Valves and trim that have been subjected to brackish water, salt water, foam, foam/water solution, or any other corrosive water supply, should be flushed with good quality fresh water before being returned to service.
- c. Perform SEMI-ANNUAL maintenance after every operation.

2. Semi-Annual Maintenance:

- a. Remove the system from service. (See release system description and technical data for additional information.)
 - i: Close the Main Water Supply Control Valve (D.1) and Priming Valve (B.1).
 - ii: Open the Auxiliary Drain Valve (B.12). Allow the outlet chamber of the Flow Control Valve to drain completely.
 - iii: Release the pressure in the priming chamber by opening the Emergency Release Valve (B.8).
- b. Inspect all trim for signs of corrosion and/or blockage. Clean and/or replace as required.
- c. Clean and/or replace all strainer screens.
- d. Refer to Item 4-B, INSTALLATION: PLACING THE VALVE IN SERVICE.

3. Every Fifth Year

- a. Internal inspection of Flow Control Valves is recommended every five years unless inspections and tests indicate more frequent internal inspections are required. Refer to DISASSEMBLY instructions provided below.
- b. Internal inspection of strainers and restricted orifices is recommended every five years unless inspections and tests indicate more frequent internal inspections are required.
- c. Record and provide notification of inspection results as required by the Authority Having Jurisdiction.

4. Removing the System from Service to Inspect and/or Repair Valve (Refer to Figure 1)

- a. Remove the valve from service:
 - i: Close the Main Water Supply Control Valve (D.1) and Priming Valve (B.1).
 - ii: Open Auxiliary Drain Valve (B.12).
 - iii: Release the pressure in the Priming Chamber by opening the Emergency Release Valve (B.8).
- b. Disconnect and remove trim from the Priming Chamber to gain access for removal of the cover.

5. Removal of the Cover (4) (Refer to Figure 6)

- a. Remove the Hex Head Cap Screws (9) from the Cover (4):
 - For 2-1/2" - 4" valves, use a Socket wrench with 3/4" socket.
 - For 6" - 8" valves, use a Socket wrench with 15/16" socket.

6. Installing the Spring (15) (Refer to Figure 6)

- a. To install the new Spring (15), it can be difficult to hold the Spring (15) in place while replacing the Cover (4). A method to make this easier is to take the Cover (4) and place a screw driver through the Cover (4) and place the Spring (15) onto the screw driver, and re-install the Cover (4).



TECHNICAL DATA

**FLOW CONTROL VALVE
MODEL J-1
2-1/2" - 8" (DN65 - DN200)**

The Viking Corporation, 210 N Industrial Park Drive, Hastings MI 49058

Telephone: 269-945-9501 Technical Services: 877-384-5464 Fax: 269-818-1680 Email: techsvcs@vikingcorp.com

Visit the Viking website for the latest edition of this technical data page.

7. Replacing Parts of the Clapper Assembly (Refer to Figure 6)

I: Replacing the Clamp Ring (3) (Refer to figure 6.)

- a. To install the Clamp Ring (3):
 - i. 2-1/2", 4", 6", and 8" valves: Place the Clamp Ring (3) on the Clapper (5), line up the holes and install the Screws (11).
 - ii. For the 3" valve: The Clamp Ring (3) will have a grooved seat in the bottom, which needs to be installed onto the raised edge of the Upper Diaphragm (6), line up the holes in the Clamp Ring (3) with the holes in the Clapper (5) and install the Screws (11).
 - For 2-1/2" & 3" valves, use a Phillips head screwdriver.
 - For the 4" valve, use a Socket wrench with a 1/2" socket.
 - For the 6" valve, use a Socket wrench with a 9/16" socket.
 - For the 8" valve, use a 5/16" Allen wrench.

II: Replacing the Upper Diaphragm (6) (Refer to Figure 6)

- a. To install the Upper Diaphragm (6):
 - i: For 2-1/2", 4", 6", and 8" valves: Install the raised edge of the Upper Diaphragm (6) into the grooved seat of the Clapper (5). Replace the Clamp Ring (3) and re-install the Screws (11).
 - ii: For 3" valves, install the Upper Diaphragm (6) onto the Clapper (5). Install the grooved seat on the Clamp Ring (3) into the raised edge on the Upper Diaphragm (6).

III: Replacing the Rubber Seat Assembly (7) (Refer to Figure 6)

- a. To install the new Rubber Seat Assembly (7), place the side of the rubber that has the raised edge in the center, facing down towards the Clapper (5).
- b. Install the Screws (10) into the Rubber Seat Assembly (7).
 - For 2-1/2" and 3" valves, use a Phillips head screwdriver.
 - For the 4" valve, use a Socket wrench with a 1/2" socket.
 - For the 6" valve, use a Socket wrench with a 9/16" socket.
 - For the 8" valve, use a 5/16" Allen wrench.

IV: Replacing the Clapper (5) (Refer to Figure 6)

- a. Remove the Clamp Ring (3), Upper Diaphragm (6), and Rubber Seat Assembly (7) from the existing Clapper (5), and install them on the new Clapper (5).

8. Replacing the Seat (2) (Refer to Figure 6)

- a. To remove the Seat (2), remove each of the Screws (12) from the Seat (2).
 - For 2-1/2" and 3" valves, use a Phillips head screwdriver.
 - For the 4" valve, use a 5/32" Allen wrench.
 - For 6" & 8" valves, use a 3/16" Allen wrench.
- c. Once each of the Screws (12) are removed, the Seat (2) and O-Ring (14) can now be removed from the valve.
- d. To install the new Seat (2), the Lubricant for the O-Ring (14) will need to be applied to the groove in the bottom of the Seat (2).
- e. Once the Lubricant is applied, the O-Ring (14) can be installed into the groove of the Seat (2).
- f. The Seat (2) can now be installed into the valve, tightening the Screws (12) in a star-shaped pattern with a Torque wrench.
 - For 2-1/2" - 4" valves, tighten to 48 in-lbs.
 - For 6" and 8" valves, tighten to 140 in-lbs.
 - For 2-1/2" and 3" valves, use a Phillips head screwdriver.
 - For the 4" valve, use a 5/32" Allen wrench.
 - For 6" and 8" valves, use a 3/16" Allen wrench.

7. AVAILABILITY

The Viking Flow Control Valve is available through a network of domestic and international distributors. See the Viking Corp. Web site for closest distributor or contact The Viking Corporation.

8. GUARANTEES

For details of warranty, refer to Viking's current list price schedule or contact Viking directly.



TECHNICAL DATA

**FLOW CONTROL VALVE
MODEL J-1
2-1/2" - 8" (DN65 - DN200)**

The Viking Corporation, 210 N Industrial Park Drive, Hastings MI 49058

Telephone: 269-945-9501 Technical Services: 877-384-5464 Fax: 269-818-1680 Email: techsvcs@vikingcorp.com

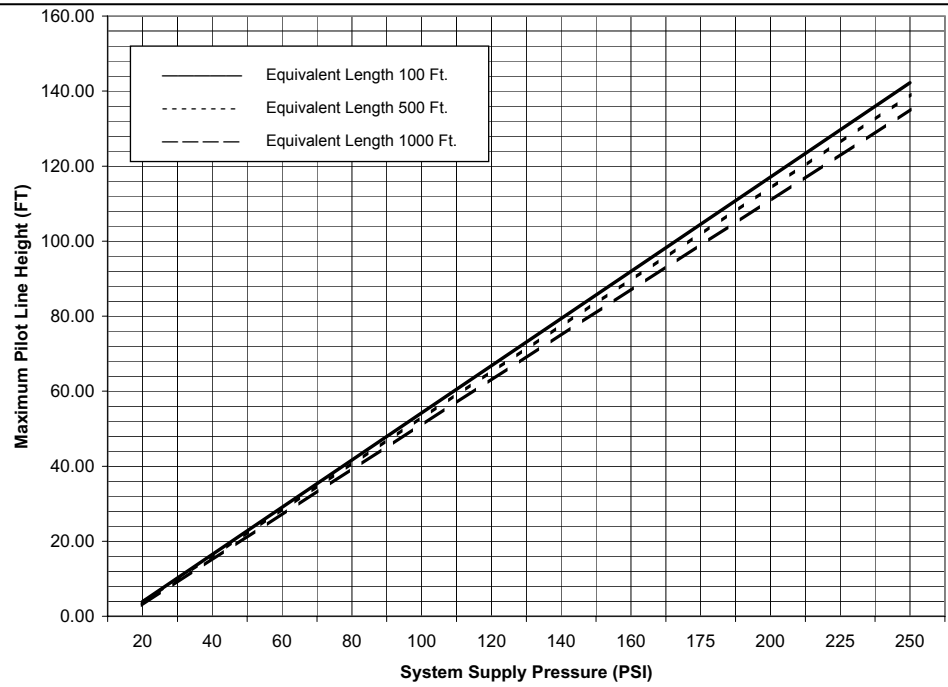
Visit the Viking website for the latest edition of this technical data page.

Maximum Allowable Pilot Heights for Select Equivalent Lengths of Hydraulic Release Piping

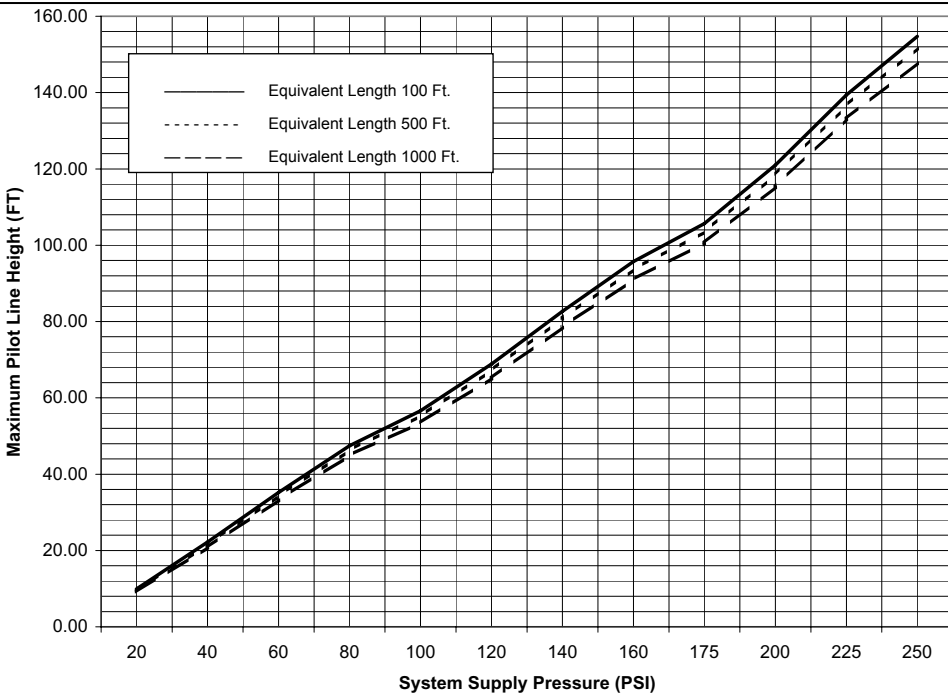
For Model J-1 Flow Control Valves with 1/8" (3.2 mm) Restricted Orifice

Graph is based on 1/2" (15 mm) pilot sprinklers installed on 1/2" (15 mm) schedule 40 galvanized release system piping.

If the maximum height of hydraulic release piping exceeds the limits shown on the graph, use Pneumatic or Electric Release System.



**Figure 2 -
2-1/2" & 3" Valves**



**Figure 3 -
4" Valves**



TECHNICAL DATA

**FLOW CONTROL VALVE
MODEL J-1
2-1/2" - 8" (DN65 - DN200)**

The Viking Corporation, 210 N Industrial Park Drive, Hastings MI 49058

Telephone: 269-945-9501 Technical Services: 877-384-5464 Fax: 269-818-1680 Email: techsvcs@vikingcorp.com

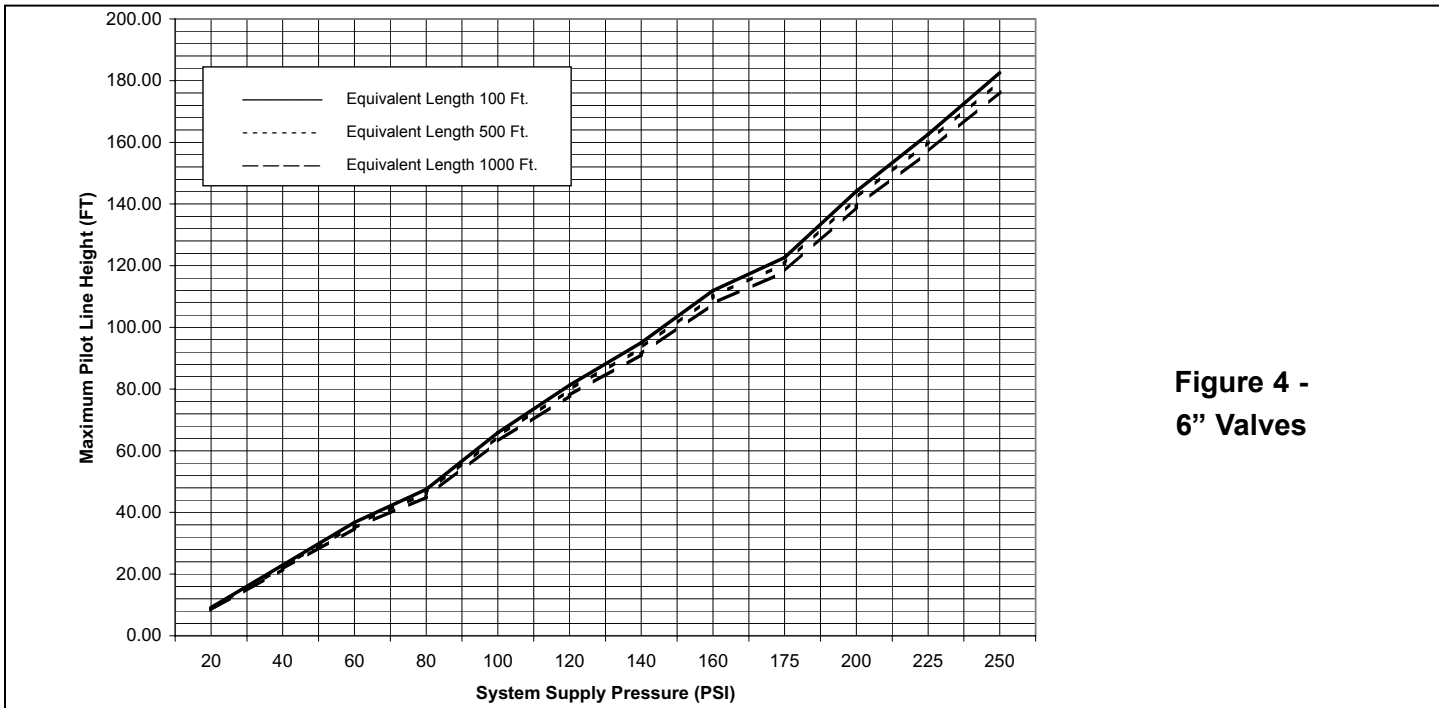
Visit the Viking website for the latest edition of this technical data page.

Maximum Allowable Pilot Heights for Select Equivalent Lengths of Hydraulic Release Piping

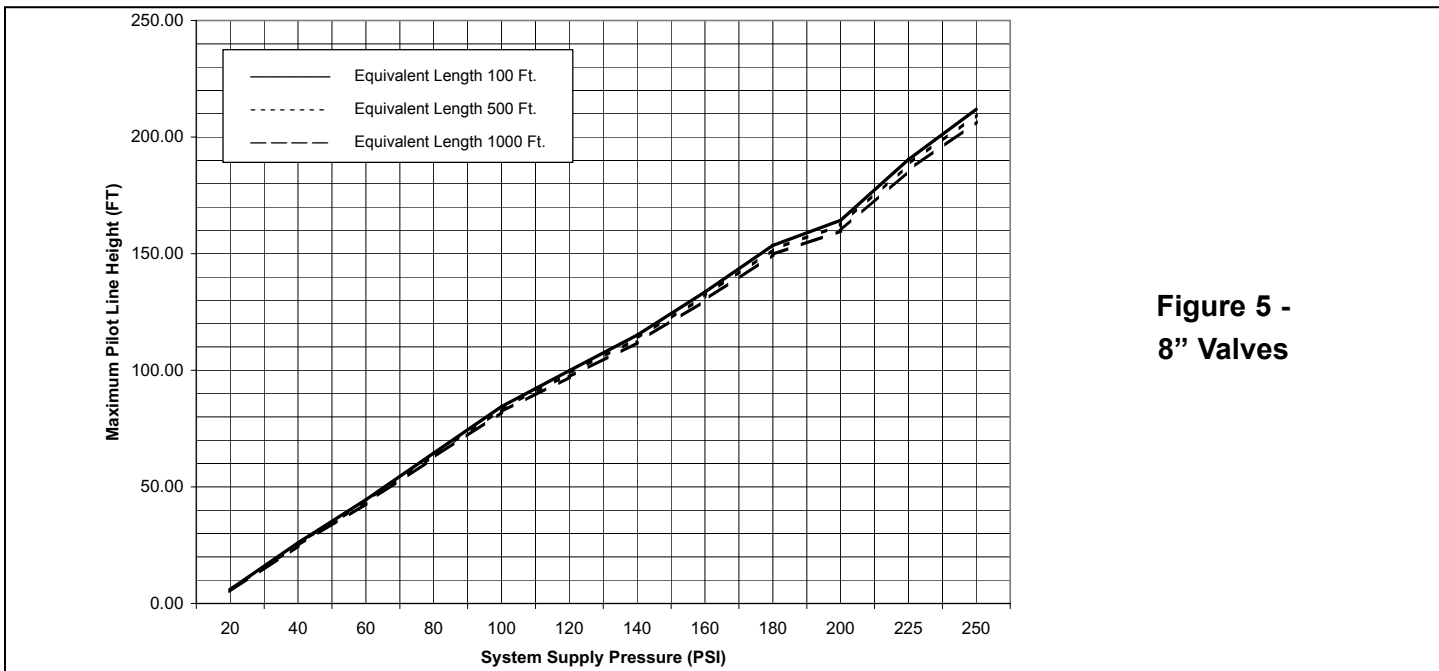
For Model J-1 Flow Control Valves with 1/8" (3.2 mm) Restricted Orifice

Graph is based on 1/2" (15 mm) pilot sprinklers installed on 1/2" (15 mm) schedule 40 galvanized release system piping.

If the maximum height of hydraulic release piping exceeds the limits shown on the graph, use Pneumatic or Electric Release System.



**Figure 4 -
6" Valves**



**Figure 5 -
8" Valves**

VIKING®

TECHNICAL DATA

FLOW CONTROL VALVE MODEL J-1 2-1/2" - 8" (DN65 - DN200)

The Viking Corporation, 210 N Industrial Park Drive, Hastings MI 49058

Telephone: 269-945-9501 Technical Services: 877-384-5464 Fax: 269-818-1680 Email: techsvcs@vikingcorp.com

Visit the Viking website for the latest edition of this technical data page.

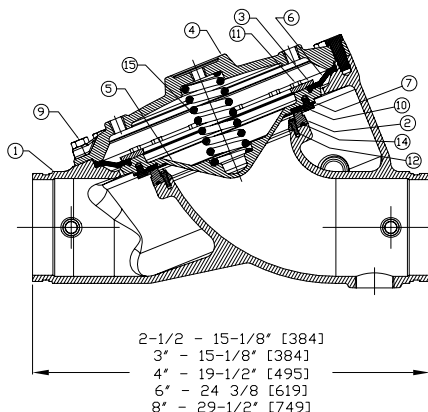
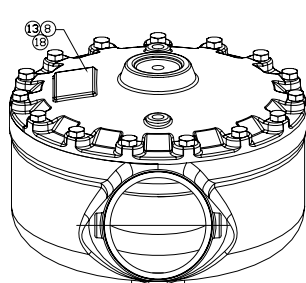


Figure 6 - Component Listing

ITEM NO.	PART NUMBER				DESCRIPTION	MATERIAL	NO. REQ'D			
	2-1/2" & 3"	4"	6"	8"			2-1/2" & 3"	4"	6"	8"
1	--	--	--	--	Body	Ductile Iron, Grade 65-45-12	1	1	1	1
2	*	*	*	*	Seat	Brass, UNS-C84400	1	1	1	
					Seat	Brass, UNS-C83600				1
3	02493B	02378B	05704B		Ring Clamp, Upper Diaphragm	Brass, UNS-C84400	1	1	1	
				10514	Ring Clamp, Upper Diaphragm	Brass, UNS-C83600				1
4	--	--	--	--	Cover	Ductile Iron, Grade 65-45-12	1	1	1	1
5	08846N	08844N	08570N	10518N/B	Clapper	Ductile Iron, Teflon Coated	1	1	1	1
6	12012	11560	11561	10510	Upper Diaphragm	EPDM - ASTM D-2000	1	1	1	1
7	02497B	02382B	02176B	10512	Rubber Seat Assembly	EPDM - ASTM D-2000	1	1	1	1
8	--	--	--	--	Data Plate	Aluminum Etched	1	1	1	1
9	02169A				Screw, H.H.C ¹ , 1/2-13 x 1 1/4 (32)	Steel, Low Carbon, SAE Grade 5	10			
		02200A			Screw, H.H.C ¹ , 1/2-13 x 1 1/2 (38)	Steel, Low Carbon, SAE Grade 2		12		
			05707A	05707A	Screw, H.H.C ¹ , 5/8-11 x 1 3/4 (44)	Steel, Low Carbon, SAE Grade 2			15	16
10	02496A				Screw, R.H. ³ , 10-24 x 3/8 (9.5)	Stainless Steel UNS-S30200	6			
		02383A			Screw, H.H.C ¹ , 5/16-18 x 1/2 (13)	Stainless Steel UNS-S30400		8		
			07932		Screw, H.H.C ¹ , 3/8-16 x 1/2 (13)	Stainless Steel UNS-S30400			12	
				11021	Screw, S.H.C ² , 3/8-16 x 1/2 (13)	Stainless Steel UNS-S31600				12
11	02494A				Screw, R.H. ³ , 10-24 x 1/2 (13)	Stainless Steel UNS-S30200	6			
		02383A			Screw, H.H.C ¹ , 5/16-18 x 1/2 (13)	Stainless Steel UNS-S30400		8		
			02454A		Screw, H.H.C ¹ , 3/8-16 x 5/8 (16)	Stainless Steel UNS-S30400			12	
				11022	Screw, S.H.C ² , 3/8-16 x 3/4 (19.1)	Stainless Steel UNS-S31600				12
12	*				Screw, R.H. ³ , 10-24 x 5/8 (16)	Stainless Steel UNS-S30200	4			
		*			Screw, S.H.C ¹ , 10-24 x 3/4 (19)	Stainless Steel UNS-S31600		6		
			*	*	Screw, S.H.C ² , 1/4-20 x 3/4 (19)	Stainless Steel UNS-S30200			8	6
13	--	--	--	--	Tack	Tack	2	4	2	4
14	*	*	*	*	O-Ring	EPDM	1	1	1	1
15	05838A	05842A	01920A	10527	Spring	Stainless Steel	1	1	1	1
Not Shown				11570	Eye Bolt, 5/8-11-UNC	Carbon Steel				1
Not Shown				F01256	Nut, 5/8-11-UNC	Stainless Steel				1
18	--	--	--	--	Plate, PN10 Flange Identifier	Aluminum	1	1	1	1
				--	Plate, PN16 Flange Identifier	Aluminum				

-- Indicates no replacement part available

* Indicates part available only in sub-assembly listed below

SUB-ASSEMBLY

3, 5-7, 9-11	13488	13490	13492	13484	Clapper Assembly
2, 12, 14	14711-3	14711-4	14711-6	14711-8	Seat Replacement Kit*

¹ Hex Head Cap Screw

² Socket Head Cap Screw, (8" Valve - #10 & 11 must be S.H.C. for clearance with seat)

³ Round Head Phillips Drive Screw

*Note: Includes O-Ring lubricant to be added to ring groove in seat.