



## TECHNICAL DATA

### STANDARD/QUICK RESPONSE EXTENDED COVERAGE DRY HORIZONTAL SIDEWALL SPRINKLER

The Viking Corporation, 210 N Industrial Park Drive, Hastings MI 49058

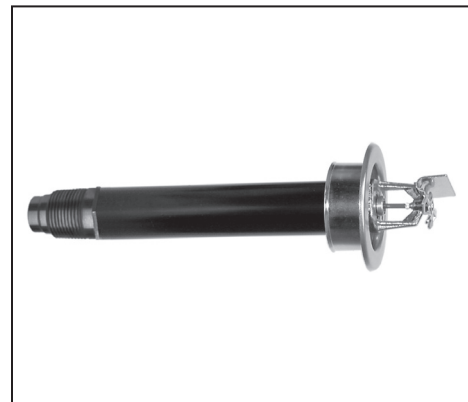
Telephone: 269-945-9501 Technical Services: 877-384-5464 Fax: 269-818-1680 Email: techsvcs@vikingcorp.com

#### 1. DESCRIPTION

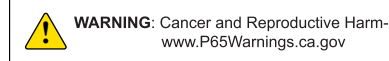
Viking Standard/Quick Response Extended Coverage Dry Horizontal Sidewall Sprinklers are thermosensitive spray sprinklers suitable for use in areas subject to freezing. The sprinklers are designed for dry systems and preaction systems where it is necessary to prevent water or condensation from entering the drop nipple before sprinkler operation. They may also be installed in spaces subject to freezing and supplied from a wet system in an adjacent heated area.

The special Polyester and Electroless Nickel PTFE (ENT) coatings have been investigated for installation in corrosive atmospheres and are cULus listed as corrosion resistant as indicated in the Approval Chart.

**NOTE: When installed in some corrosive environments, the Polyester finish may change color. This natural discoloration over time is not in itself an indication of corrosion and should not be treated as such. All sprinklers installed in corrosive environments should be replaced or tested as described in NFPA 25 on a more frequent basis.**



For Light Hazard Occupancies Only



#### 2. LISTINGS AND APPROVALS

 **cULus Listed:** Category VNIV

Refer to the Approval Chart on page 109c and Design Criteria on page 109e for cULus Listing requirements that must be followed.

#### 3. TECHNICAL DATA

##### Specifications:

Available since 1998.

Minimum Operating Pressure: Refer to the Approval Chart on page 109c

Maximum Working Pressure: 175 psi (12 bar). Factory tested pneumatically to 100 psi (6.89 bar)

Thread size: 1" NPT or 25 mm BSP

Nominal K-Factor: 5.6 U.S. (80.6 metric\*) for all listed and approved lengths.

\* Metric K-factor measurement shown is when pressure is measured in bar. When pressure is measured in kPa, divide the metric K-factor shown by 10.0.

Glass-bulb fluid temperature rated to -65 °F (-55 °C)

Covered by the following U.S. Patent numbers: 8,636,075 and 8,376,060

##### Material Standards:

Frame Casting: Brass UNS-C84400

Deflector: Copper UNS-C19500

Bulb: Glass, nominal 3 mm diameter

Belleville Spring Sealing Assembly: Nickel Alloy, coated on both sides with PTFE Tape

Compression Screw: Brass UNS-C36000

Pip Cap and Pip Cap Adapter: Brass UNS-C36000

Orifice: Copper UNS-C22000

Tube: ERW Hydraulic Steel Tube

Support (Internal): Stainless Steel UNS-S30400

Barrel: Steel Pipe UNS-G10260, Electrodeposited Epoxy Base finish

Barrel End and Threads: QM Brass

##### Escutcheon Materials:

Recessed Dry Escutcheons: Cold Rolled Steel UNS-G10080


ENT Coated Adjustable and Recessed Escutcheons: Stainless Steel UNS-S30400

**Ordering Information:** (Also refer to the current Viking price list.)

**Sprinkler:** Base Part No. 10542U

Order Standard/Quick Response Extended Coverage Dry Horizontal Sidewall Sprinklers by first adding the appropriate suffix for the sprinkler finish, the appropriate suffix for the temperature rating, and then the suffix for the length ("A" dimension) to sprinkler base part number. Order in a specific length noted as the "A" dimension (see Figure 3). The "A" dimension is the distance from the face of the fitting (tee) to the desired finished surface of the wall in which it is to be installed.

Viking Technical Data may be found on  
The Viking Corporation's Web site at  
<http://www.vikinggroupinc.com>.  
The Web site may include a more recent  
edition of this Technical Data Page.

	<b>TECHNICAL DATA</b>	<b>STANDARD/QUICK RESPONSE EXTENDED COVERAGE DRY HORIZONTAL SIDEWALL SPRINKLER</b>
---	-----------------------	--

**The Viking Corporation, 210 N Industrial Park Drive, Hastings MI 49058**  
**Telephone: 269-945-9501 Technical Services: 877-384-5464 Fax: 269-818-1680 Email: techsvcs@vikingcorp.com**

These sprinklers are listed and approved in lengths from 3-1/4" to 47-1/2" (82.5 mm to 1,207 mm) for the adjustable recessed style. Finish Suffix: Chrome = F, White Polyester = M-W, and ENT = JN  
 Temperature Suffix (°F/°C): 155°/68° = B, 175°/79° = D  
 BSP threads are available upon special request.  
 For example, sprinkler VK188 with 1" NPT Threads, a Chrome finish, a 155 °F/68 °C temperature rating, and "A" length of 10" = Part No. 10542UFB10.

**Available Finishes And Temperature Ratings:** Refer to Table 1.

**Accessories:** (Also refer to the "Sprinkler Accessories" section of the Viking data book.)

**Sprinkler Wrenches:**

Wrench for recessed sprinklers: Part No. 07565W/B\*\* (available since 1991)  
 \*\*A 1/2" ratchet is required (not available from Viking).

**Dry Sprinkler Protective Cover:** Part No. 15610

**4. INSTALLATION**

Refer to appropriate NFPA Installation Standards.

**5. OPERATION**

During fire conditions, the heat-sensitive liquid in the glass bulb expands, causing the glass to shatter, releasing the internal parts to open the water-way. Water flowing through the sprinkler orifice strikes the sprinkler deflector, forming a uniform spray pattern to extinguish or control the fire.

**6. INSPECTIONS, TESTS AND MAINTENANCE**

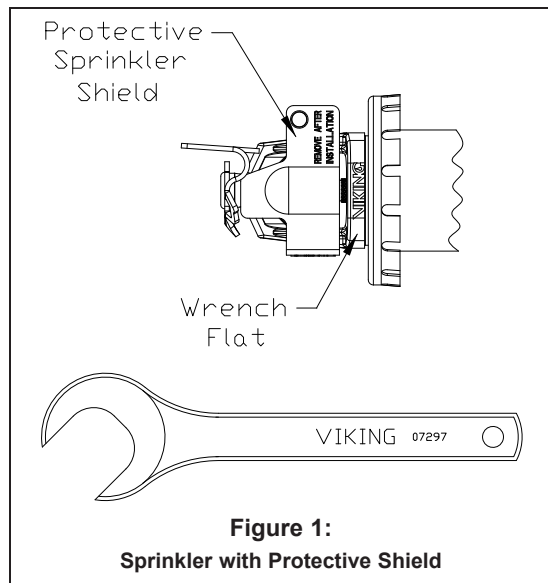
Refer to NFPA 25 for Inspection, Testing and Maintenance requirements.

**7. AVAILABILITY**

The Viking Standard/Quick Response Extended Coverage Dry Horizontal Sidewall Sprinkler is available through a network of domestic and international distributors. See The Viking Corporation web site for the closest distributor or contact The Viking Corporation.

**8. GUARANTEE**

For details of warranty, refer to Viking's current list price schedule or contact Viking directly.



**Figure 1:**  
**Sprinkler with Protective Shield**

**TABLE 1: AVAILABLE SPRINKLER TEMPERATURE RATINGS AND FINISHES**

Sprinkler Temperature Classification	Sprinkler Nominal Temperature Rating <sup>1</sup>	Maximum Ambient Ceiling Temperature <sup>2</sup>	Bulb Color
Ordinary	155 °F (68 °C)	100 °F (38 °C)	Red
Intermediate	175 °F (79 °C)	150 °F (65 °C)	Yellow

**Sprinkler Finishes:** Chrome, White Polyester, and ENT

**Corrosion-Resistant Coating<sup>3,4</sup>:** White Polyester and ENT in all temperature ratings

**Footnotes**

- <sup>1</sup> The sprinkler temperature rating is stamped on the deflector.
- <sup>2</sup> Based on NFPA-13. Other limits may apply, depending on fire loading, sprinkler location, and other requirements of the Authority Having Jurisdiction. Refer to specific installation standards.
- <sup>3</sup> The corrosion-resistant Polyester and ENT coatings have passed the standard corrosion test required by the approving agencies indicated in the Approval Chars. These tests cannot and do not represent all possible corrosive environments. Note: These coatings are NOT corrosion proof. Prior to installation, verify through the end-user that the coatings are compatible with or suitable for the proposed environment. Polyester and ENT coatings are applied to the exposed exterior surfaces only. Note that the spring is exposed on sprinklers with Polyester and ENT coatings.
- <sup>4</sup> When installed in some corrosive environments, the Polyester finish may change color. This natural discoloration over time is not in itself an indication of corrosion and should not be treated as such. All sprinklers installed in corrosive environments should be replaced or tested as described in NFPA 25 on a more frequent basis.



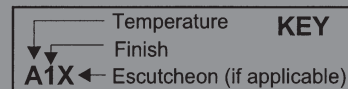
**TECHNICAL DATA**

**STANDARD/QUICK  
RESPONSE EXTENDED  
COVERAGE DRY HORIZONTAL  
SIDEWALL SPRINKLER**

The Viking Corporation, 210 N Industrial Park Drive, Hastings MI 49058  
 Telephone: 269-945-9501 Technical Services: 877-384-5464 Fax: 269-818-1680 Email: techsvcs@vikingcorp.com

**Approval Chart**

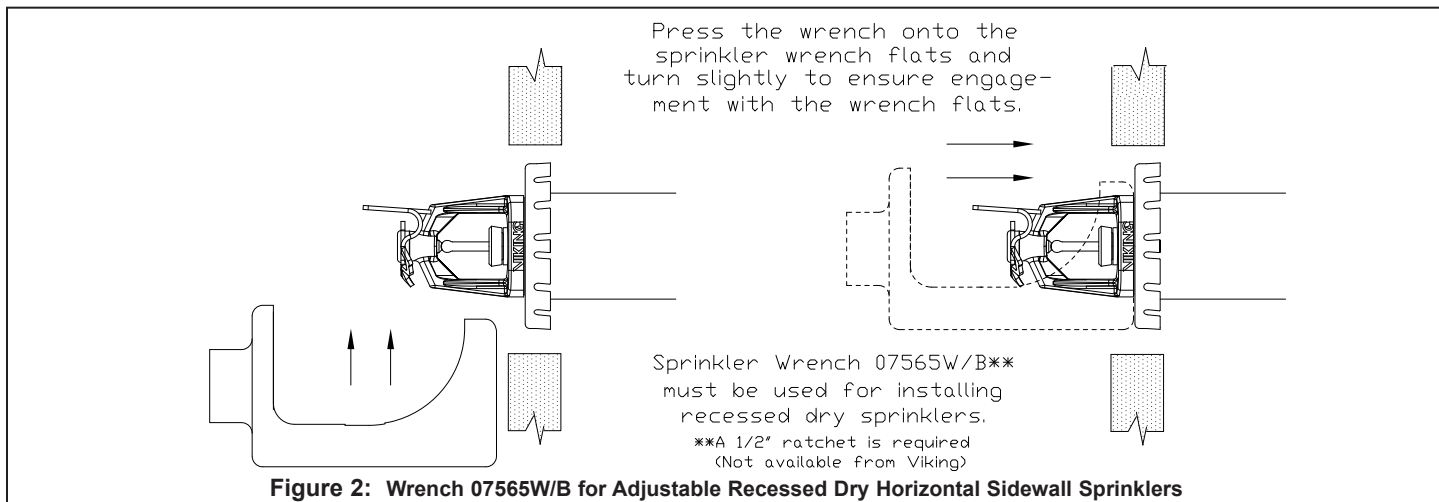
Standard Response/Quick Response Extended Coverage  
 Adjustable Recessed Dry HSW Sprinkler VK188  
 For Light Hazard Occupancies Only  
 Maximum 175 PSI (12 bar) WWP



Sprinkler Base Part Number <sup>1</sup>	Thread Size		Maximum Area of Coverage <sup>2</sup> Width x Length	Nominal K-Factor <sup>3</sup>		Minimum Water Supply Requirements <sup>2</sup>	Order Length Increment		Listings and Approvals <sup>5</sup> (Refer also to Design Criteria on page 109e.)		
	NPT	BSP <sup>9</sup>		U.S.	metric <sup>4</sup>		Inches	mm	cULus <sup>6</sup>	FM	NYC <sup>7</sup>
<b>Quick Response Listings</b>											
10542U	1"	See Footnote 9	16 ft. x 16 ft. (4.9 m x 4.9 m)	5.6	80.6	26 gpm @ 21.6 psi (98.4 L/min @ 1.49 bar)	1/4"	6.35	A1, A2	--	A1
10542U	1"	See Footnote 9	16 ft. x 18 ft. (4.9 m x 5.5 m)	5.6	80.6	29 gpm @ 26.8 psi (109.8 L/min @ 1.85 bar)	1/4"	6.35	A1, A2	--	A1
<b>Standard Response Listings</b>											
10542U	1"	See Footnote 9	16 ft. x 20 ft. (4.9 m x 6.1 m)	5.6	80.6	32 gpm @ 32.7 psi (121.1 L/min @ 2.25 bar)	1/4"	6.35	A1, A2	--	A1
<b>Approved Temperature Ratings</b> A - 155 °F (68 °C) and 175 °F (79 °C)			<b>Approved Finishes and "A" Dimensions</b> 1 - Chrome or White Polyester <sup>8</sup> with "A" dimensions 3-1/4" to 47-1/2" (82.5 mm to 1,207 mm) 2 - ENT <sup>8</sup> with "A" dimensions 3-1/4" to 47-1/2" (82.5 mm to 1,207 mm)								

**Footnotes**

- <sup>1</sup> Part number shown is the base part number. For complete part number, refer to current Viking price list schedule.
- <sup>2</sup> For areas of coverage smaller than shown, use the "Minimum Water Supply Requirement" for the next larger "Area of Coverage" listed for the sprinkler used. The distance from sprinklers to walls shall not exceed one-half the sprinkler spacing indicated for the "Minimum Water Supply Requirement" used.
- <sup>3</sup> K-Factor applies for standard lengths ("A" Dimensions indicated above).
- <sup>4</sup> Metric K-factor measurement shown is when pressure is measured in Bar. When pressure is measured in kPa, divide the metric K-factor shown by 10.0.
- <sup>5</sup> This chart shows the listings and approvals available at the time of printing. Other approvals may be in process. Check with the manufacturer for any additional approvals.
- <sup>6</sup> Listed by Underwriter's Laboratories for use in the U.S. and Canada. Listings are limited to Light-Hazard occupancies with smooth, flat, horizontal ceilings.
- <sup>7</sup> Accepted for use, City of New York Department of Buildings, MEA Number 89-92-E, Vol. 15.
- <sup>8</sup> cULus Listed as corrosion resistant.
- <sup>9</sup> 25 mm BSP threads available upon special request.



**Figure 2: Wrench 07565W/B for Adjustable Recessed Dry Horizontal Sidewall Sprinklers**



**TECHNICAL DATA**

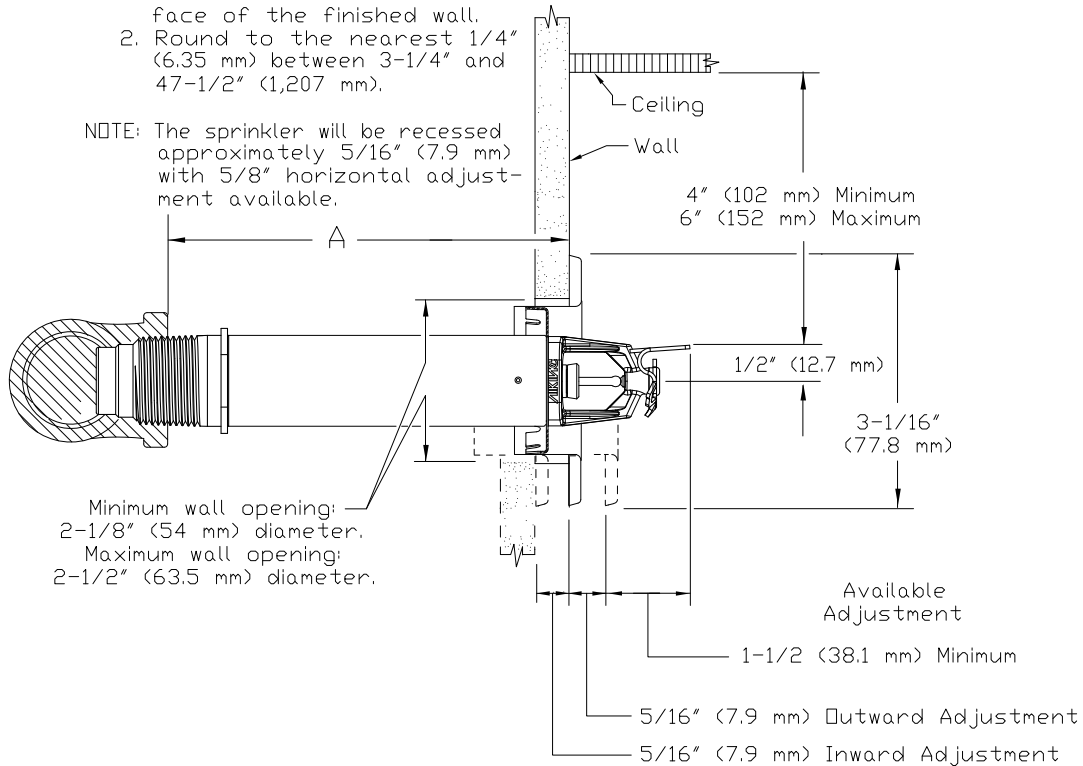
**STANDARD/QUICK  
RESPONSE EXTENDED  
COVERAGE DRY HORIZONTAL  
SIDEWALL SPRINKLER**

The Viking Corporation, 210 N Industrial Park Drive, Hastings MI 49058  
 Telephone: 269-945-9501 Technical Services: 877-384-5464 Fax: 269-818-1680 Email: techsvcs@vikingcorp.com

For "A" Dimension:

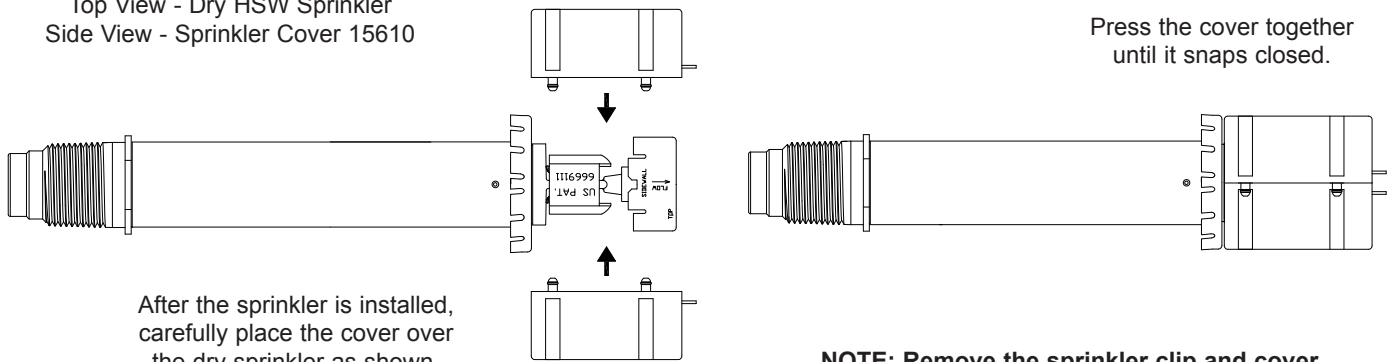
1. Determine the distance from the face of the tee to the face of the finished wall.
2. Round to the nearest 1/4" (6.35 mm) between 3-1/4" and 47-1/2" (1,207 mm).

NOTE: The sprinkler will be recessed approximately 5/16" (7.9 mm) with 5/8" horizontal adjustment available.



**Figure 3: Adjustable Recessed Dry Horizontal Sidewall Sprinkler with the Model E-1 Escutcheon**

Top View - Dry HSW Sprinkler  
 Side View - Sprinkler Cover 15610



**Figure 4: Dry Horizontal Sidewall Sprinkler Cover Part Number 15610**  
 (Optional for temporary use with Viking Dry HSW Sprinklers until finish work is completed around the sprinkler.)



**TECHNICAL DATA**

**STANDARD/QUICK  
RESPONSE EXTENDED  
COVERAGE DRY HORIZONTAL  
SIDEWALL SPRINKLER**

The Viking Corporation, 210 N Industrial Park Drive, Hastings MI 49058  
 Telephone: 269-945-9501 Technical Services: 877-384-5464 Fax: 269-818-1680 Email: techsvcs@vikingcorp.com

**DESIGN CRITERIA**

(Also refer to the Approval Chart on page 109c.)

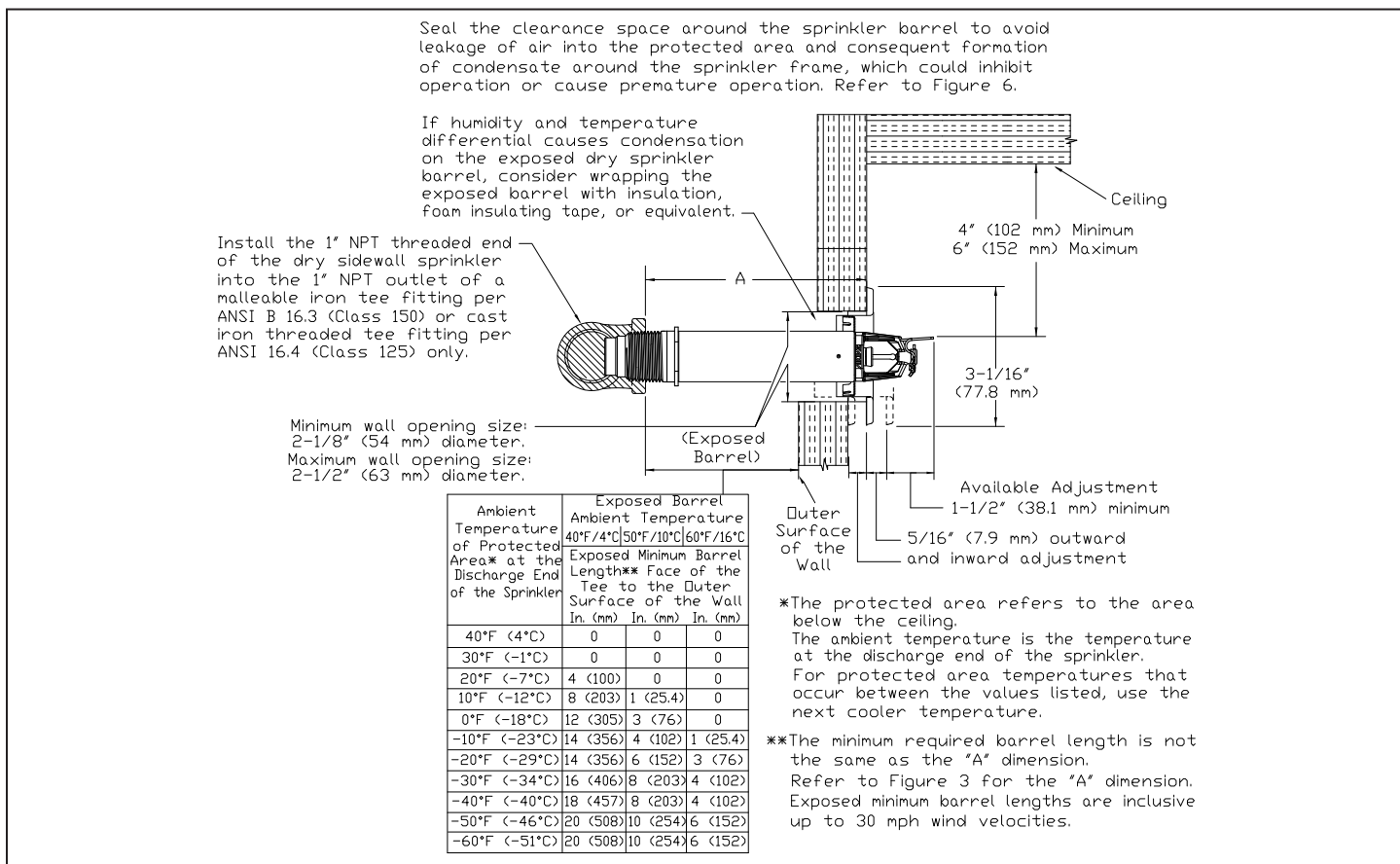
**NOTE: When using CPVC fittings with Viking dry sprinklers, use only new Nibco Model 5012-S-BI tees. When selecting other CPVC fittings, contact Viking Technical Services.**

**cULus Listing Requirements:**

Extended Coverage Dry Horizontal Sidewall Sprinklers are cULus Listed as indicated in the Approval Chart for installation in accordance with the latest edition of NFPA 13 for extended coverage horizontal sidewall spray sprinklers.

- Limited to Light Hazard occupancies, with smooth, flat, horizontal ceilings only.
- Minimum spacing: No sprinklers shall be located within the maximum protection area of any other sprinkler.
- Locate no less than 4" (102 mm) from end walls.
- Maximum distance from end walls shall be no more than one-half of the allowable distance between sprinklers. The distance shall be measured perpendicular to the wall.
- The sprinkler installation and obstruction rules contained in NFPA 13 for extended coverage sidewall spray sprinklers must be followed.

**IMPORTANT: Always refer to Bulletin Form No. F\_091699 - Care and Handling of Sprinklers. Also refer to page DRY1-3 for general care, installation, and maintenance information. Viking sprinklers are to be installed in accordance with the latest edition of Viking technical data, the appropriate standards of NFPA, FM Global, LPCB, APSAD, VdS or other similar organizations, and also with the provisions of governmental codes, ordinances, and standards, whenever applicable.**



**Figure 5: Dry Horizontal Sidewall Sprinkler Required Minimum Barrel Length Based on Ambient Temperature in the Protected Area**



TECHNICAL DATA

STANDARD/QUICK  
RESPONSE EXTENDED  
COVERAGE DRY HORIZONTAL  
SIDEWALL SPRINKLER

The Viking Corporation, 210 N Industrial Park Drive, Hastings MI 49058  
Telephone: 269-945-9501 Technical Services: 877-384-5464 Fax: 269-818-1680 Email: techsvcs@vikingcorp.com

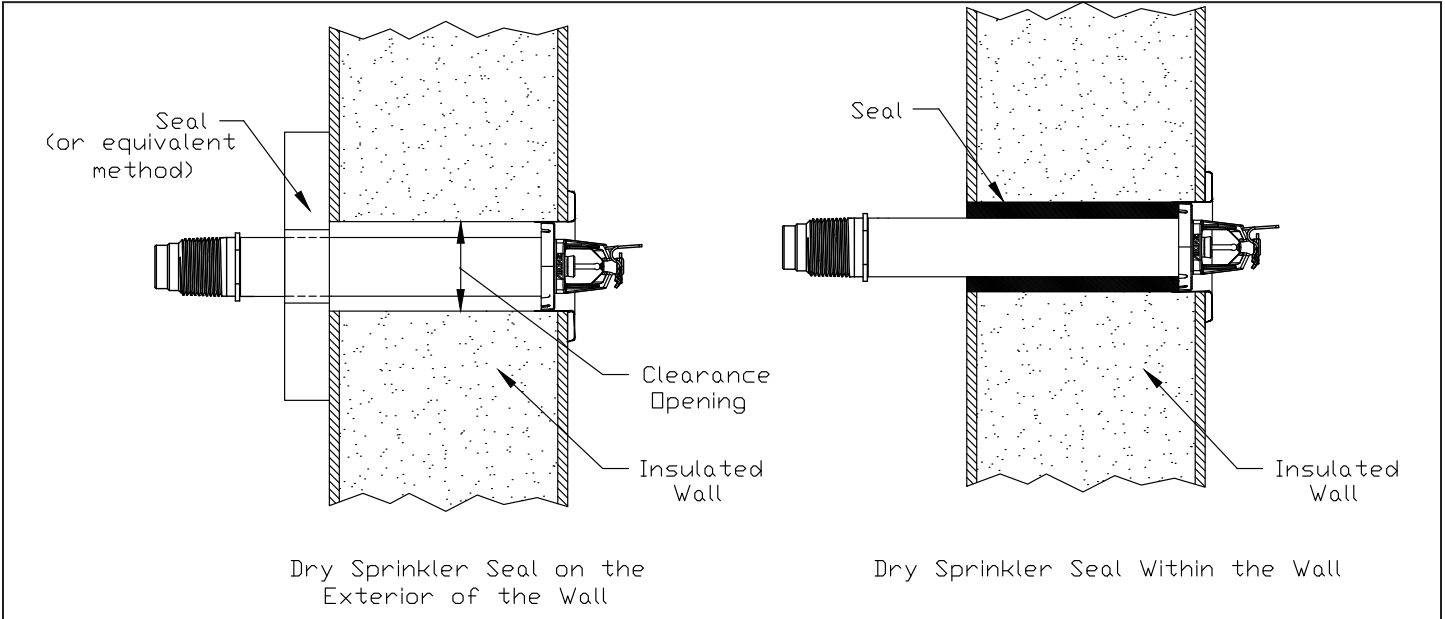


Figure 6: Dry Sprinkler Seal