



TECHNICAL DATA

MOBILE FOAM CART

The Viking Corporation, 210 N Industrial Park Drive, Hastings MI 49058

Telephone: 269-945-9501 Technical Services: 877-384-5464 Fax: 269-818-1680 Email: techsvcs@vikingcorp.com

Visit the Viking website for the latest edition of this technical data page. www.vikinggroup.com

1. DESCRIPTION

The Chemguard Mobile Foam Cart is designed to hold 36 gallons of fire fighting foam concentrate and contains a 95-gpm in-line eductor, a 95-gpm handline nozzle and 50 feet of 1½" rubber lined single jacket fire hose. The ease of handling and mobility of the foam cart makes this a very effective fire-fighting unit for flammable liquid fires. To place the unit in operation, connect a length of 1½" fire hose from a suitable water supply source to the in-line eductor inlet. Note: The in-line eductor design point is 95 gpm at 200 psi. Any reduction in pressure at the in-line eductor inlet will create a corresponding decrease in flow. The tank is manufactured of reinforced fiberglass, which makes the unit suitable for use with all types of foam concentrates and environments.

Features

- Nozzle features a ball shut-off for better stream control and is designed to give a constant flow whether on straight stream or fog patterns.
- 3"x16" pneumatic tires
- Fire hose has lightweight 1½" NST couplings
- Pick up tube on in-line eductor is manufactured of stainless steel.



2. LISTINGS AND APPROVALS

N/A

3. TECHNICAL DATA

Specifications:

Flow Rate: 95 GPM @ 200 PSI Inlet to Eductor

Ordering Information:

See Table 1

Options:

- 60 GPM Eductor & Nozzle
- Additional 50' Hose
- Other Nozzle Selections

4. INSTALLATION

If using any of the AR-AFFF type foam concentrates in the unit, it is recommended that a thin layer of mineral oil be placed on the surface of the foam concentrate to minimize evaporation.

5. INSPECTIONS, TESTS AND MAINTENANCE

NOTICE

The owner is responsible for maintaining the fire protection system and devices in proper operating condition. For minimum maintenance and inspection requirements, refer to recognized standards such as those produced by NFPA, LPC, and VdS which describe care and maintenance of sprinkler systems. In addition, the Authority Having Jurisdiction (AHJ) may have additional maintenance, testing and inspection requirements which must be followed.

⚠ WARNING

Any system maintenance or testing that involves placing a control valve or detection system out of service may eliminate the fire protection of that system. Prior to proceeding, notify all Authorities Having Jurisdiction. Consideration should be given to employment of a fire patrol in the affected area.

Table 1: Part Numbers

Viking Part Number	Chemguard Model Number	Description
F20677	CMFC1	36 Gallon Mobile Foam Cart with (1) 1-1/2" x 50' fire hose, 95 gpm eductor and 95 gpm handline nozzle
F20678	CMFC2	36 Gallon Mobile Foam Cart with 95 gpm eductor, less hose and a handline nozzle
F20679	CMFCC	Red Vinyl Cover
F20680	-	Fire Hose, 1-1/2"x 50' single jacket, Male X Female NST Couplings



TECHNICAL DATA

MOBILE FOAM CART

The Viking Corporation, 210 N Industrial Park Drive, Hastings MI 49058

Telephone: 269-945-9501 Technical Services: 877-384-5464 Fax: 269-818-1680 Email: techsvcs@vikingcorp.com

Visit the Viking website for the latest edition of this technical data page. www.vikinggroup.com

6. AVAILABILITY

Viking Foam Products are available through a network of domestic and international distributors. See the Viking web site for closest distributor or contact The Viking Corporation.

7. GUARANTEE

For details of warranty, refer to Viking's current list price schedule or contact Viking directly.

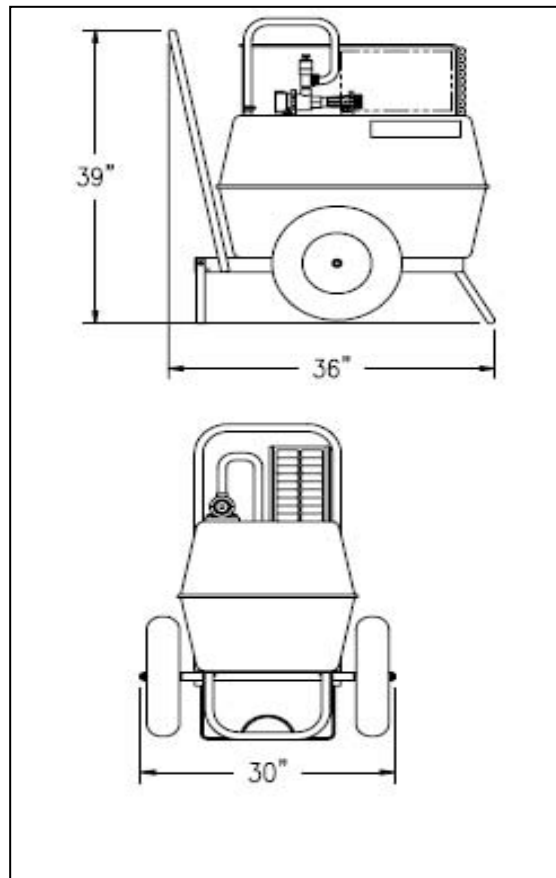


Figure 1: Dimensions