



TECHNICAL DATA

FLOW CONTROL VALVE MODEL H-1 2" (DN50)

The Viking Corporation, 210 N Industrial Park Drive, Hastings MI 49058

Telephone: 269-945-9501 Technical Services: 877-384-5464 Fax: 269-818-1680 Email: techsvcs@vikingcorp.com

Visit the Viking website for the latest edition of this technical data page.

1. DESCRIPTION

The Viking 2" Flow Control Valve is a quick opening, differential type flood valve with a spring loaded rolling diaphragm clapper. The Flow Control Valve can be used to facilitate manual or automatic on/off control. As an on/off control valve it may be used on Deluge Systems, Sprinkler Systems, or to automatically fill tanks or reservoirs. The Viking Flow Control valve is an integral part of the Viking Firecycle® System.

FEATURES

- A. Field replaceable Diaphragms and Rubber Seated Clapper Assembly
- B. Designed to be reset without opening the valve
- C. Compatible with Hydraulic, Pneumatic and/or Electric Release Systems
- D. Accessories:
 1. Model H Flow Control Conventional Trim package for use with the 2" (DN50) Flow Control Valve. The trim package includes all necessary fittings, nipples and devices shown on the Viking 2" (DN50) Model H Flow Control Valve Conventional Trim Chart. Trim Charts are provided in trim packages and on the Viking website. For optional pre-assembled "modular" trim packages, refer to the Viking list price schedule or contact the manufacturer.
 2. Firecycle Trim package for use when the 2" (DN50) Flow Control Valve is used on a Firecycle system. The trim package includes all necessary fittings, nipples and devices shown on the Viking 2" (DN50) Firecycle Trim Chart.
 3. Auxiliary Components are required for specific valve functions. For complete operating trim requirements refer to system data for the system used.



NOTE: FOR PART NUMBERS OF ACCESSORIES, REFER TO VIKING'S LIST PRICE SCHEDULE.

2. LISTINGS AND APPROVALS

UL Listed - VLFT and VLLA
 C-UL Listed
 FM Approved
 ABS Approved - 04-CH557068-X
 NYC Board of Standards and Appeals - Calendar Number 219-76-SA

3. TECHNICAL DATA

Specifications:

Style: 90 Degree Pattern (inlet to outlet)
 Connections: 2" female NPT inlet and outlet
 Rated to: 250 psi (17.2 bar) water working pressure
 Factory tested to: 500 psi (34.5 bar)
 Priming chamber supply restriction (required): 1/8" (3 mm)
 Color: Red
 Cv Factor: 91
 Friction loss: 14 ft. (4.3 m) (Expressed in equivalent length of schedule 40 pipe based on Hazen & Williams formula. C=120)

Material Standards:

Refer to Materials Chart, Figure 3.

Ordering Information

Part No: 05856C
 Shipping weight: 35 Lbs. (16 kg)

4. INSTALLATION

When Valve Trim is used, to maintain listings and approvals, trim must be installed according to Viking Model H Flow Control Valve Conventional Trim Charts specifically labeled "Maximum 250 PSI Water Working Pressure." Refer to Form No. F_101594. Order 250 PSI (17.2 bar) trim separately.

A. General Instruction

1. Viking 2" (DN50) Flow Control Valves may be installed in any position.

NOTE: FOR POSITIONS OTHER THAN VERTICAL (SHOWN IN FIG. 1) MINOR MODIFICATION OF TRIM MAY BE REQUIRED TO FACILITATE DRAINAGE FROM OUTLET CHAMBER OF THE FLOW CONTROL VALVE (CONSULT MANUFACTURER).

2. The valve must be installed in an area not subject to freezing temperatures or physical damage.
3. The valve must be trimmed according to current Viking Trim Charts and appropriate instructions for the system used. Trim



TECHNICAL DATA

FLOW CONTROL VALVE MODEL H-1 2" (DN50)

The Viking Corporation, 210 N Industrial Park Drive, Hastings MI 49058

Telephone: 269-945-9501 Technical Services: 877-384-5464 Fax: 269-818-1680 Email: techsvcs@vikingcorp.com

Visit the Viking website for the latest edition of this technical data page.

Charts are printed on the Viking website, and are provided with trim packages.

4. The priming line must be connected upstream of the system water supply main control valve or to a constant source of water at a pressure equal to the system water supply.
5. After the Flow Control Valve is set, operation of the Flow Control Valve requires the release of priming water from the priming chamber. This may be by automatic or manual operation of the release system. Viking Flow Control Valves are compatible with hydraulic, pneumatic, and electric release systems.
 - a. Hydraulic Release Systems: See Figure 2 for the maximum allowable elevation of hydraulic release piping above the 2" (DN50) Flow Control Valve. If the maximum height of hydraulic release piping exceeds the limit shown in Figure 2, use a Pneumatic or Electric Release System.
 - b. Pneumatic Release Systems: A Viking Pneumatic Actuator is required between the release system connection provided on Flow Control Trim and pneumatic release system piping.

CAUTION

When releasing devices capable of automatically resetting are used on the pneumatic release system of a Flow Control Valve, Viking Model E Deluge Valve Conventional Trim, complete with PORV, is required.

NOTE: THIS ARRANGEMENT WILL NOT ALLOW THE FLOW CONTROL VALVE TO AUTOMATICALLY RESET.

- c. Electric Release: Solenoid Valves, Release Control Panels, and Electrical Detectors must be compatible. Consult appropriate listings and/or approval guides.
6. The Viking Flow Control Valve can be trimmed to automatically reset electrically or manually. For specific Trim arrangements refer to System Data describing the system being installed.

NOTE: DO NOT INSTALL ANY RELEASING DEVICE, OR VALVE USED TO AUTOMATICALLY RESET THE FLOW CONTROL VALVE, ON PNEUMATIC RELEASE PIPING.

For pneumatic release systems, any releasing valve or device used to automatically reset the Flow Control Valve must be installed in the trim piping between the Pneumatic Actuator and the priming chamber outlet.

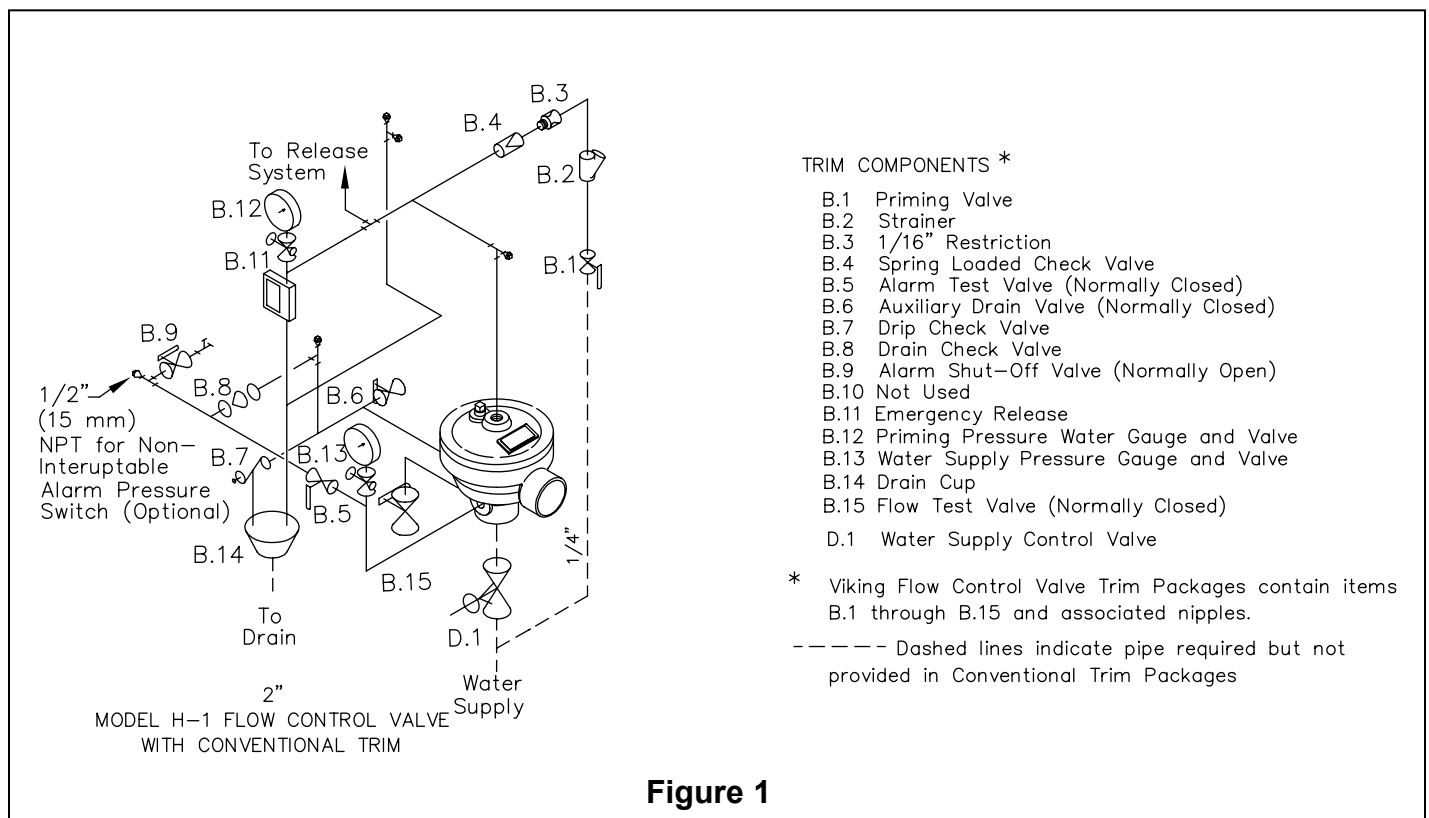


Figure 1



TECHNICAL DATA

FLOW CONTROL VALVE MODEL H-1 2" (DN50)

The Viking Corporation, 210 N Industrial Park Drive, Hastings MI 49058

Telephone: 269-945-9501 Technical Services: 877-384-5464 Fax: 269-818-1680 Email: techsvcs@vikingcorp.com

Visit the Viking website for the latest edition of this technical data page.

⚠ CAUTION

Operation of Viking Flow Control Valves by pressurizing the priming chamber with air or any other pressurized gas is not recommended or approved.

B. Placing the Valve in Service (Refer to Figure 1.)

1. Verify:

- The system Main Water Supply Control Valve (D.1) is closed and the Flow Control Valve is trimmed according to current Viking Trim Charts and schematic drawings for the system used.
- The system has been properly drained.
- The Auxiliary Drain (B.6) is open.
- The Emergency Release (B.11) is closed.
- The system water supply piping is pressurized up to the closed Main Water Supply Control Valve (D.1) and the priming line is pressurized up to closed Priming Valve (B.1).

2. For Systems equipped with:

a. Hydraulic Release System

- Verify that all releasing devices are set and that any Inspector's Test Valve and/or auxiliary drain valves are closed.
- Open Priming Valve (B.1) Proceed to step 3.

b. Pneumatic Release Systems:

- Set the release system
- Open Priming Valve (B.1). Proceed to step 3.

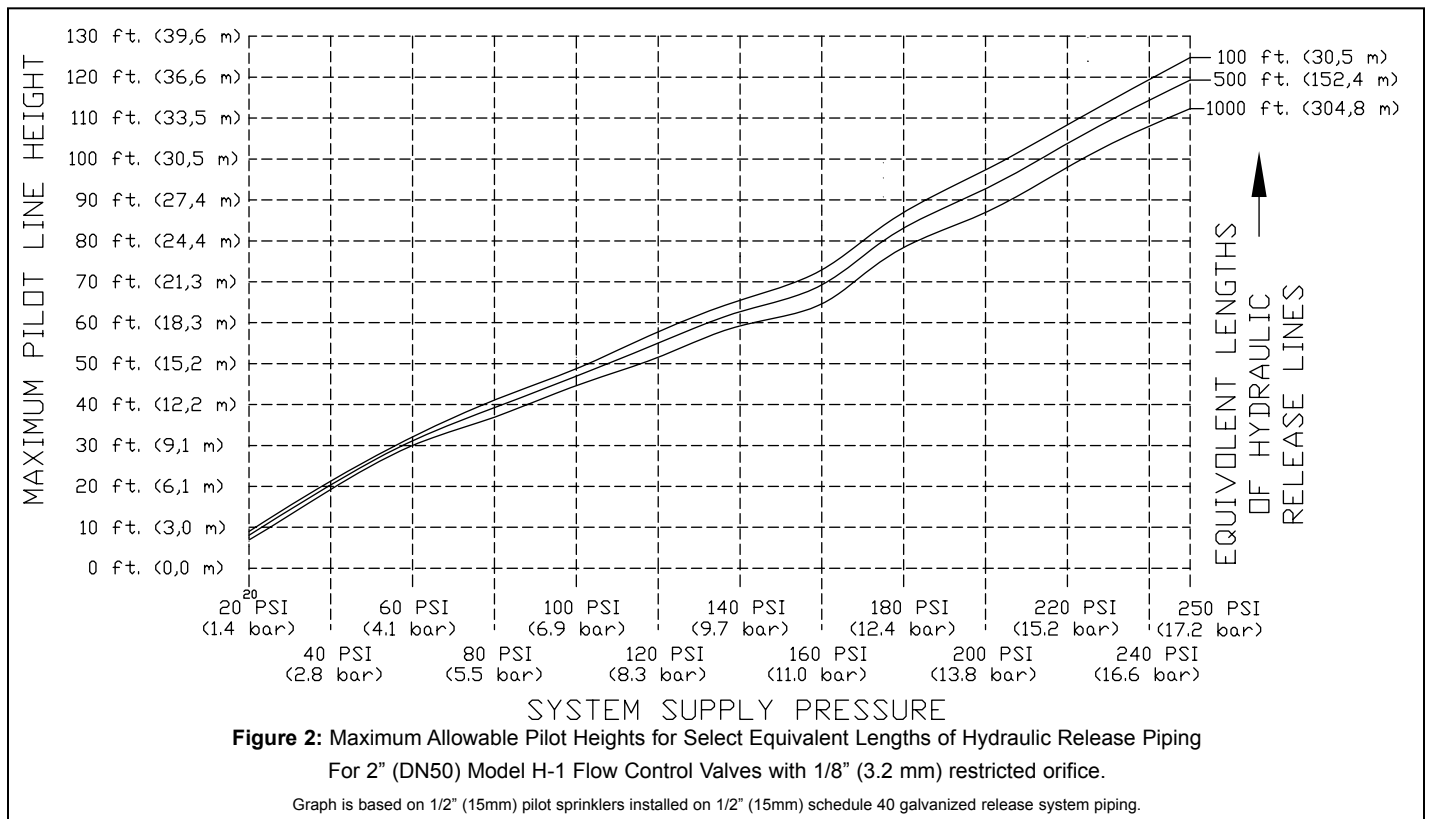
c. Electric Release Systems:

- Open Priming Valve (B.1)
- Set the electric release system. Proceed to step 3.

3. Open Flow Test Valve (B.15)

4. Partially open Main Water Supply Control Valve (D.1).

5. When full flow develops from Flow Test Valve (B.15), close the Flow Test Valve. Verify that there is no flow from open Auxiliary Drain (B.6).





TECHNICAL DATA

FLOW CONTROL VALVE MODEL H-1 2" (DN50)

The Viking Corporation, 210 N Industrial Park Drive, Hastings MI 49058

Telephone: 269-945-9501 Technical Services: 877-384-5464 Fax: 269-818-1680 Email: techsvcs@vikingcorp.com

Visit the Viking website for the latest edition of this technical data page.

6. Close Auxiliary Drain (B.6).
7. Fully open and secure the Main Water Supply Control Valve (D.1).
8. Verify that the Alarm Shut-off Valve (B.9) is open and that all other valves are in their normal operating position.
9. Depress the plunger of Drip Check (B.7). No water should flow from the Drip Check (B.7) when the plunger is pushed.
10. Check for, and repair all leaks.
11. On new installations, those systems that have been placed out of service or where new equipment has been installed, trip test the system to verify that all equipment functions properly. Refer to MAINTENANCE paragraph 10-B: ANNUAL maintenance instructions.

⚠ CAUTION

Performing a trip test results in operation of the Flow Control Valve. Water will flow into the sprinkler piping. Take necessary precautions to prevent damage.

12. After completing a trip test, perform SEMI-ANNUAL maintenance.

C. Automatic Resetting (Refer to Figure 1 for identification of trim components)

To automatically reset the Flow Control Valve after it has operated:

1. DO NOT close the water supply main control valve (D.1)
2. Automatically or manually reset any open devices on the hydraulic release system to stop all flow of water out of the priming chamber.

⚠ CAUTION

Resetting or closing releasing devices or valves on pneumatic release piping will NOT automatically cause the Flow Control Valve to reset. Do NOT install any releasing device or valve used to automatically reset the Flow Control Valve, on pneumatic release piping.

3. System supply pressure will enter the priming chamber through the restricted priming line connected to the priming chamber inlet.
4. When the combined force of spring pressure and system supply pressure entering the priming chamber overcomes the velocity pressure of water flowing through the valve, the clapper will close.
5. Flow through the valve will stop.
6. To reactivate the system, open a releasing device. Priming water will escape from the priming chamber faster than it is replaced through the restricted priming line, allowing the Flow Control Valve to open.

D. Valve Removed from Service

NOTE: WHEN A VALVE HAS BEEN REMOVED FROM SERVICE AND IS SUBJECT TO FREEZING OR WILL BE OUT OF SERVICE FOR AN EXTENDED PERIOD OF TIME, ALL WATER MUST BE REMOVED FROM THE PRIMING CHAMBER, TRIM PIPING, WATER SUPPLY PIPING AND OTHER TRAPPED AREAS.

5. OPERATION (Refer to Figure 3.)

NOTE: FOR OPERATION OF A FLOW CONTROL VALVE ON A VIKING FIRECYCLE SYSTEM, REFER TO FIRECYCLE TECHNICAL DATA.

The Viking 2" (DN50) Flow Control Valve has an inlet chamber, an outlet chamber and a priming chamber. The inlet chamber and outlet chamber are separated from the priming chamber by a diaphragm and clapper assembly. System pressure enters the priming chamber through a restricted priming line (trim) equipped with a check valve.

In the set condition:

System pressure is trapped in the priming chamber to hold the clapper (6) on the seat (9) due to area differential of the clapper, and spring (11) pressure. The clapper (6) separates the inlet from the outlet, keeping the system piping dry.

In fire conditions:

Pressure is released from the priming chamber faster than it is re-supplied through the restricted priming line. Water supply pressure in the inlet chamber forces the clapper open, allowing water to flow through the outlet and into the system and alarm devices.

To automatically reset, flow of water out of the priming chamber is stopped. This can be done manually (by closing a valve in the hydraulic release piping), or electrically (by closing a solenoid valve in the hydraulic release piping). When the combined force of spring (11) pressure and system supply pressure entering the priming chamber overcomes the velocity pressure of water flowing through the valve, the clapper (6) will close. Flow through the valve will stop.



TECHNICAL DATA

FLOW CONTROL VALVE MODEL H-1 2" (DN50)

The Viking Corporation, 210 N Industrial Park Drive, Hastings MI 49058

Telephone: 269-945-9501 Technical Services: 877-384-5464 Fax: 269-818-1680 Email: techsvcs@vikingcorp.com

Visit the Viking website for the latest edition of this technical data page.

6. INSPECTIONS AND TESTS AND MAINTENANCE (Refer to Figure 1.)

A. Inspection

It is imperative that the system be inspected and tested on a regular basis. The frequency of the inspections may vary due to contaminated water supplies, corrosive water supplies or corrosive atmospheres. Also, the alarm devices, detection systems or other connected trim may require a more frequent schedule. For minimum maintenance and inspection requirements, refer to NFPA 25. In addition, the Authority Having Jurisdiction may have additional maintenance, testing, and inspection requirements which must be followed. The following recommendations are minimum requirements.

Weekly:

Weekly visual inspection of the Viking Flow Control Valve is recommended.

1. Verify that the Main Water Supply Control Valve (D.1) is open and that all other valves are in their normal operating position and appropriately secured.
2. Check for signs of mechanical damage, leakage, and/or corrosive activity. If detected, perform maintenance as required. If necessary, replace the device.
3. Verify that the valve and trim are adequately heated and protected from freezing and physical damage.

B. Tests

Quarterly:

Quarterly testing of water flow alarms and performance of a Main Drain Test is recommended and may be required by the Authority Having Jurisdiction.

I. Water Flow Alarm Test

1. Notify the Authority Having Jurisdiction and those in the area affected by the test.
2. To test the local electric alarm (if provided) and/or mechanical water motor alarm (if provided), OPEN the alarm test valve (B.5) in the Flow Control Valve trim.
 - a. Electric alarm pressure switches (if provided) should activate.
 - b. Electric local alarms should be audible.
 - c. The local water motor gong should be audible.
 - d. If equipped with remote station alarm signaling devices, verify that alarm signals were received.
3. When testing is complete, CLOSE the alarm test valve (B.5).

Verify:

 - a. All local alarms stop sounding and alarm panels (if provided) reset.
 - b. All remote station alarms reset.
 - c. Supply piping to water motor alarm properly drains.
4. Verify that the alarm shut-off valve (B.9) is OPEN, and the alarm test valve (B.5) is CLOSED.
5. Verify that the outlet chamber is free of water. No water should flow from the drip check (B.7) when the plunger is pushed.
6. Notify the Authority Having Jurisdiction and those in the affected area that testing is complete.

II: Main Drain Test

1. Notify the Authority Having Jurisdiction and those in the area affected by the test.
2. Record pressure reading from the water supply pressure gauge (B.13).
3. Verify that the outlet chamber of the Flow Control Valve is free of water. No water should flow from the drip check (B.7) when the plunger is pushed.
4. Fully OPEN the Flow Test Valve (B.15).
5. When a full flow is developed from the Flow Test Valve (B.15), record the residual pressure from the water supply pressure gauge (B.13).
6. When the test is complete, SLOWLY CLOSE the Flow Test Valve (B.15).
7. Compare test results with previous flow information. If deterioration of the water supply is detected, take appropriate steps to restore adequate water supply.
8. Verify:
 - a. Normal water supply pressure has been restored to the inlet chamber, the priming chamber, and the release system. The pressure on the priming chamber water pressure gauge should equal the system water supply pressure.
 - b. All alarm devices, and valves are secured in normal operating position.
9. Notify the Authority Having Jurisdiction that the test is complete. Record and/or provide notification of test results as required by the Authority Having Jurisdiction.

Annual:

Annual Trip Tests are recommended.



TECHNICAL DATA

FLOW CONTROL VALVE MODEL H-1 2" (DN50)

The Viking Corporation, 210 N Industrial Park Drive, Hastings MI 49058

Telephone: 269-945-9501 Technical Services: 877-384-5464 Fax: 269-818-1680 Email: techsvcs@vikingcorp.com

Visit the Viking website for the latest edition of this technical data page.

CAUTION

Performing this test results in operation of the Flow Control Valve. Water will flow into the sprinkler piping and from any open sprinklers and/or nozzles. Take necessary precautions to prevent damage.

1. Notify the Authority Having Jurisdiction and those in the area affected by the test.
2. Fully open the Flow Test Valve (B.15) to flush away any accumulation of foreign material.
3. Close the Flow Test Valve (B.15).
4. Trip the system by operating the release system. Allow a full flow to pass through the Flow Control Valve. Water flow alarms should operate.

When test is complete:

5. For Flow Control Valves equipped with:
 - a. Hydraulic or Electric Release:
 - i. Reset the Release System. Pressure in the priming chamber should gradually be restored. Flow through the Flow Control Valve should stop. Proceed to step 6.
 - b. Pneumatic Release Systems:
 - i. Close the Main Water Supply Control Valve (D.1) and Priming Valve (B.1)
 - ii. Open Auxiliary Drain Valve (B.6)
 - iii. Open all system main drains and auxiliary drains. Allow the system to drain completely. Proceed to step 6.
6. Perform SEMI-ANNUAL maintenance. Refer to paragraph 6-C-2.
7. Place the system in service. Refer to paragraph 4-B.

NOTE: FLOW CONTROL VALVES SUPPLIED BY BRACKISH WATER, SALT WATER, FOAM, FOAM/WATER SOLUTION, OR ANY OTHER CORROSIVE WATER SUPPLY, SHOULD BE FLUSHED WITH GOOD QUALITY FRESH WATER BEFORE BEING RETURNED TO SERVICE.

8. Notify the Authority Having Jurisdiction that the test is complete. Record and/or provide notification of test results as required by the Authority Having Jurisdiction.

C. Maintenance (Refer to Figure 1.)

NOTICE

The owner is responsible for maintaining the fire protection system and devices in proper operating condition. The Flow Control Valve must be kept from freezing conditions and physical damage that could impair its operation.

WARNING

Any system maintenance which involves placing a control valve or detection system out of service may eliminate the Fire Protection capabilities of that system. Prior to proceeding, notify all Authorities Having Jurisdiction. Consideration should be given to employment of a Fire Patrol in the affected areas.

Where difficulty in performance is experienced, the valve manufacturer or authorized representative shall be contacted if any field adjustment is to be made.

1. After Each Operation:

- a. Sprinkler systems that have been subjected to a fire must be returned to service as soon as possible. The entire system must be inspected for damage, and repaired or replaced as necessary.
- b. Flow Control Valves and trim that have been subjected to brackish water, salt water, foam, foam/water solution, or any other corrosive water supply, should be flushed with good quality fresh water before being returned to service.
- c. Perform SEMI-ANNUAL maintenance after every operation.

2. Semi-Annual Maintenance:

- a. Remove the system from service. (See release system description and technical data for additional information.)
 - i. Close the Main Water Supply Control Valve (D.1) and Priming Valve (B.1).
 - ii. Open the Auxiliary Drain Valve (B.6). Allow the outlet chamber of the Flow Control Valve to drain completely.
 - iii. Release pressure in the priming chamber by opening the Emergency Release Valve (B.11).
- b. Inspect all trim for signs of corrosion and/or blockage. Clean and/or replace as required.
- c. Clean and/or replace all strainer screens.
- d. Refer to Item 4-B, INSTALLATION: PLACING THE VALVE IN SERVICE.

3. Every Fifth Year

- a. Internal inspection of Flow Control Valves is recommended every five years unless inspections and tests indicate more frequent internal inspections are required. Refer to DISASSEMBLY instructions provided below.
- b. Internal inspection of strainers, and restricted orifices is recommended every five years unless inspections and tests



TECHNICAL DATA

FLOW CONTROL VALVE MODEL H-1 2" (DN50)

The Viking Corporation, 210 N Industrial Park Drive, Hastings MI 49058

Telephone: 269-945-9501 Technical Services: 877-384-5464 Fax: 269-818-1680 Email: techsvcs@vikingcorp.com

Visit the Viking website for the latest edition of this technical data page.

indicate more frequent internal inspections are required.

c. Record and provide notification of inspection results as required by the Authority Having Jurisdiction.

4. Valve Disassembly

- a. Remove the valve from service. (Refer to Figure 1.)
 - i. Close the Main Water Supply Control Valve (D.1) and Priming Valve (B.1).
 - ii. Open the Auxiliary Drain Valve (B.6).
 - iii. Release the pressure in the priming chamber by opening the Emergency Release Valve (B.11).
- b. Disconnect and remove necessary trim from the cover.
- c. Remove the cover (3):
 - i. Remove each of the cap screws (7) using a Socket Wrench with a 9/16" socket, and break the seal of the cover.
 - ii. Lift the cover (3) off the valve body (1) and gently set it aside and lift the spring (11) from the clapper (6).

5. Installing Replacement Parts and Valve Reassembly (Refer to Figure 3.)

- a. To replace the entire clapper assembly, which is ordered pre-assembled:
 - i. Remove the old clapper assembly (2, 4, 5, 6, 7, 8, and 10) by placing a flat head screwdriver between the body (1) and the diaphragm rubber and then lifting the clapper assembly from valve body (1).
 - ii. Inspect the seat (9).

NOTE: PRIOR TO REASSEMBLY, FLUSH THE VALVE OF ALL FOREIGN MATTER. THE VALVE SEAT (9) MUST BE CLEAN AND FREE FROM ALL MARKS AND SCRATCHES.

iii. Install the new clapper assembly kit (2, 4, 5, 6, 7, 8, and 10).

If the entire clapper assembly does not need to be replaced, each of the parts of the clapper assembly kit are offered individually for replacement.

b. To replace the clamp ring (4):

- i. Remove each of the screws (5). For 2" valves, use a Phillips head screwdriver.
- ii. Remove the existing clamp ring from the diaphragm rubber (2).

NOTE: On the 2" valve, there is a rounded edge and there is a sharp edge on the clamp ring (4). When installing the clamp ring (4) on 2" valves, the rounded edge of the clamp ring (4) needs to be facing down towards the clapper (6).

iii. When installing the new clamp ring (4), install the new screws (5) in a star-shaped pattern using a Phillips head screwdriver.

c. To replace the diaphragm rubber (2):

- i. Remove the diaphragm rubber (2) by removing the clamp ring (4) as indicated in Step 5b above and then removing the diaphragm rubber (2) from the clapper assembly.
- ii. To install the new diaphragm rubber (2) on the 2" valve, install the groove on the bottom of the diaphragm rubber (2) into the grooved seat of the clapper (6) itself.

NOTE: PRIOR TO INSTALLING A NEW DIAPHRAGM RUBBER (2) OR SEAT RUBBER ASSEMBLY (8), MAKE CERTAIN THAT ALL SURFACES ARE CLEAN AND FREE OF FOREIGN MATTER. THE SEAT (9) MUST BE SMOOTH AND FREE OF NICKS, BURRS OR INDENTATIONS.

d. To replace the seat rubber assembly (8):

- i. Remove each of the screws (10). For 2" valves, use a Phillips head screwdriver.
- ii. Remove the old seat rubber assembly (8) from the clapper (6).
- iii. Install the new seat rubber assembly (8).

NOTE: There is a raised edge on the rubber itself. Install with the raised edge facing down into the grooved seat of the clapper (6).

iv. Install the new screws (10) into the seat rubber assembly (8) in a star-shaped pattern using the wrenches indicated in Step 4a above.

e. To replace the clapper (6) itself:

- i. First, remove the clamp ring (4), diaphragm rubber (2), and the seat rubber assembly (8) from the old clapper (6) as described in the previous steps and then install them onto the new clapper (6).

f. To re-install the cover (3):

- i. Place the spring (11) on the clapper (6).
- ii. Line up the holes and install the cap screws (7) into the cover (3) in a star-shaped pattern. For 2" valves, use a Socket Wrench with a 9/16" socket.

7. AVAILABILITY

The Viking Model H-1 Flow Control Valve is available through a network of domestic and international distributors. See the Viking Corp. Web site for closest distributor or contact The Viking Corporation.

8. GUARANTEES

For details of warranty, refer to Viking's current list price schedule or contact Viking directly.



TECHNICAL DATA

FLOW CONTROL VALVE MODEL H-1 2" (DN50)

The Viking Corporation, 210 N Industrial Park Drive, Hastings MI 49058

Telephone: 269-945-9501 Technical Services: 877-384-5464 Fax: 269-818-1680 Email: techsvcs@vikingcorp.com

Visit the Viking website for the latest edition of this technical data page.

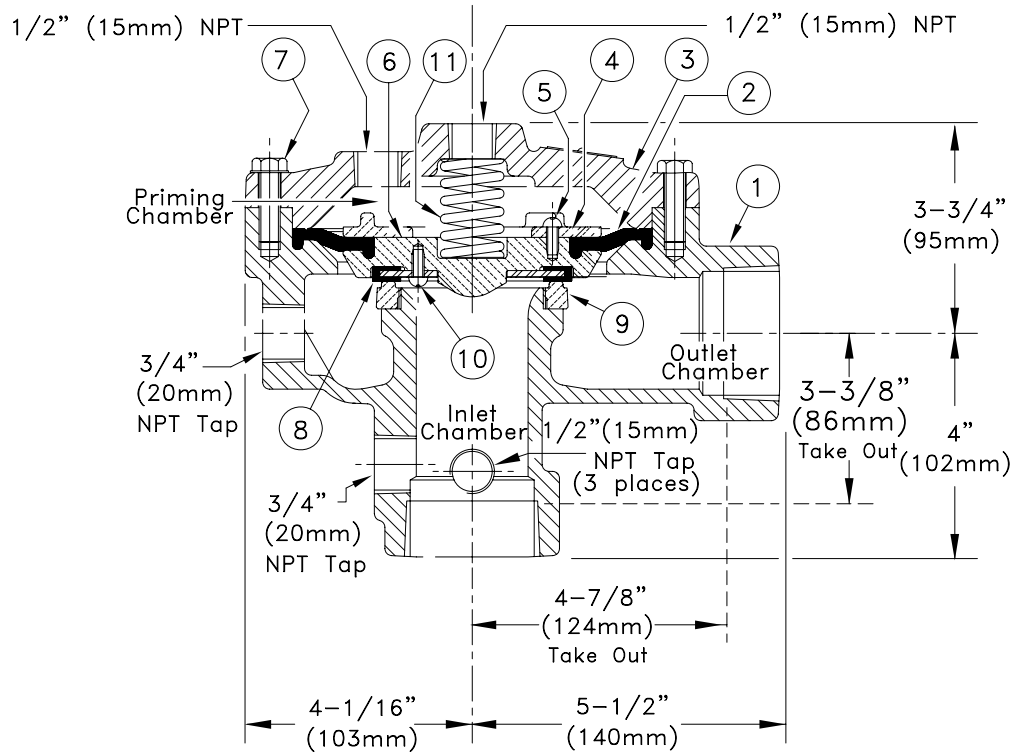


Figure 3 - Replacement Parts

ITEM NO.	PART NUMBER	DESCRIPTION	MATERIAL	NO. REQ'D
1	--	Body	Ductile Iron 65-45-12	1
2	04223B	Diaphragm Rubber	EPDM ASTM D2000	1
3	--	Cover	Ductile Iron 65-45-12	1
4	04224B	Clamp Ring	Bronze UNS-C84400	1
5	02494A	Screw, R. H., No. 10-24 x 1/2" lg.	Stainless Steel UNS-S30200	4
6	07046B	Clapper	Bronze UNS-C84400	1
7	05855A	Screw, H.H.C., 3/8-16 x 1-1/8" lg.	Steel	8
8	04225B	Seat Rubber Assembly	EPDM/Stainless Steel UNS-S30400	1
9	--	Seat	Bronze UNS-C84400	1
10	02494A	Screw, R. H., No. 10-24 x 1/2" lg.	Stainless Steel UNS-S30200	4
11	01905A	Spring	Stainless Steel UNS-S30200	1
--Indicates replacement part not available				
SUB-ASSEMBLY				
2, 4-8, 10	13395	Clapper Assembly Kit		