



TECHNICAL DATA

MICROFAST® QUICK RESPONSE EXTENDED COVERAGE HSW SPRINKLER VK606

The Viking Corporation, 210 N Industrial Park Drive, Hastings MI 49058

Telephone: 269-945-9501 Technical Services: 877-384-5464 Fax: 269-818-1680 Email: techsvcs@vikingcorp.com

1. DESCRIPTION

Viking Microfast® Quick Response Extended Coverage Horizontal Sidewall Sprinkler VK606 is a thermosensitive spray sprinkler available in several different finishes and temperature ratings to meet varying design requirements. The glass bulb operating element and special deflector characteristics meet the challenges of quick response extended coverage standards. The special Polyester and PTFE coatings can be used in decorative applications where colors are desired.

2. LISTINGS AND APPROVALS



cULus Listed: Category VNIV

FM Approved: Class 2022

Refer to Approval Charts 1,2, and Design Criteria for Listing and Approval requirements.

3. TECHNICAL DATA

Specifications:

Available since 2013.

Minimum Operating Pressure: Refer to the Approval Chart.

Maximum Working Pressure: 175 psi (12 bar). Factory tested hydrostatically to 500 psi (34.5 bar).

Thread size: 3/4" (20 mm) NPT

Nominal K-Factor: 8.0 U.S. (115.2 metric*)

* Metric K-factor measurement shown is in Bar. When pressure is measured in kPa, divide the metric K-factor shown by 10.0.

Glass-bulb fluid temperature rated to -65 °F (-55 °C)

Overall Length: 3-1/8" (80 mm)

Material Standards:

Sprinkler Frame: Brass UNS-C84400 or QM Brass

Deflector: Phosphor Bronze UNS-C51000

Bulb: Glass, nominal 3 mm diameter

Pip Cap: Brass UNS-C31400 or UNS-C31600

Compression Screw: Brass UNS-C36000

Belleville Spring Sealing Assembly: Nickel Alloy, coated on both sides with PTFE Tape

For PTFE Coated Sprinklers: Belleville Spring-Exposed, Screw-Nickel Plated, Pip Cap-PTFE Coated

For Polyester Coated Sprinklers: Belleville Spring-Exposed

Ordering Information: (Also refer to the current Viking price list.)

Order Sprinkler VK606 by first adding the appropriate suffix for the sprinkler finish and then the appropriate suffix for the temperature rating to the sprinkler base part number.

Finish Suffix: Brass = A, Chrome = F, White Polyester = M-/W, Black Polyester = M-/B, and Black PTFE = N

Temperature Suffix: 135 °F (57 °C) = A, 155 °F (68 °C) = B, 175 °F (79 °C) = D

For example, sprinkler VK606 with a Brass finish and a 155 °F (68 °C) temperature rating = Part No. 18271AB.

Available Finishes And Temperature Ratings: Refer to Table 1.

Accessories: (Also refer to the "Sprinkler Accessories" section of the Viking data book.)

Sprinkler Wrenches:

A. Standard Wrench: Part No. 10896W/B (available since 2000)

B. Wrench for coated and/or recessed sprinklers: Part No.

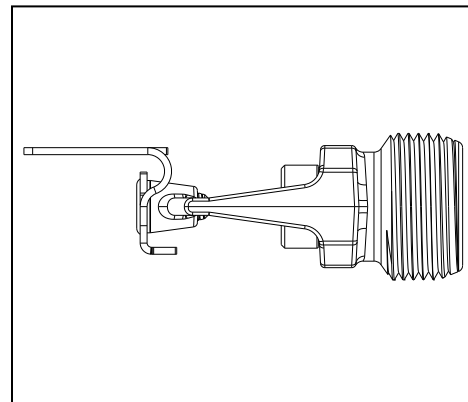
13655W/B** (available since 2006)

**A 1/2" ratchet is required (not available from Viking).

Sprinkler Cabinets:

A. Six-head capacity: Part No. 01724A (available since 1971)

B. Twelve-head capacity: Part No. 01725A (available since 1971)



For Light Hazard Occupancies Only

Viking Technical Data may be found on
The Viking Corporation's Web site at
<http://www.vikinggroupinc.com>.
The Web site may include a more recent
edition of this Technical Data Page.

| | | |
|---|-----------------------|--|
|  | TECHNICAL DATA | MICROFAST® QUICK RESPONSE EXTENDED COVERAGE HSW SPRINKLER VK606 |
|---|-----------------------|--|

The Viking Corporation, 210 N Industrial Park Drive, Hastings MI 49058
 Telephone: 269-945-9501 Technical Services: 877-384-5464 Fax: 269-818-1680 Email: techsvcs@vikingcorp.com

4. INSTALLATION

Refer to appropriate NFPA Installation Standards.

5. OPERATION

During fire conditions, the heat-sensitive liquid in the glass bulb expands, causing the bulb to shatter, releasing the pip cap and sealing spring assembly. Water flowing through the sprinkler orifice strikes the sprinkler deflector, forming a uniform spray pattern to extinguish or control the fire.

6. INSPECTIONS, TESTS AND MAINTENANCE

Refer to NFPA 25 for Inspection, Testing and Maintenance requirements.

7. AVAILABILITY

The Viking Model VK606 Sprinkler is available through a network of domestic and international distributors. See The Viking Corporation web site for the closest distributor or contact The Viking Corporation.

8. GUARANTEE

For details of warranty, refer to Viking's current list price schedule or contact Viking directly.

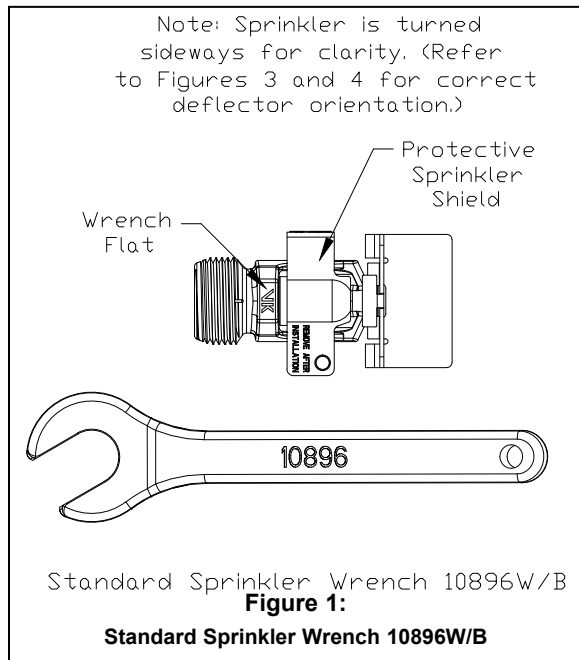


TABLE 1: AVAILABLE SPRINKLER TEMPERATURE RATINGS AND FINISHES

| Sprinkler Temperature Classification | Sprinkler Nominal Temperature Rating ¹ | Maximum Ambient Ceiling Temperature ² | Bulb Color |
|--------------------------------------|---|--|------------|
| Ordinary | 135 °F (57 °C) | 100 °F (38 °C) | Orange |
| Ordinary | 155 °F (68 °C) | 100 °F (38 °C) | Red |
| Intermediate | 175 °F (79 °C) | 150 °F (65 °C) | Yellow |

Available Sprinkler Finishes: Brass, Chrome, White Polyester³, Black Polyester³, and Black PTFE³

Footnotes

- ¹ The sprinkler temperature rating is stamped on the deflector.
- ² Based on NFPA-13. Other limits may apply, depending on fire loading, sprinkler location, and other requirements of the Authority Having Jurisdiction. Refer to specific installation standards.
- ³ The coatings indicated are applied to the exposed exterior surfaces only. For PTFE coated open sprinklers only, the waterway is coated. Note that the spring is exposed on sprinklers with PTFE and Polyester coatings.

| | | |
|---|-----------------------|--|
|  | TECHNICAL DATA | MICROFAST® QUICK RESPONSE EXTENDED COVERAGE HSW SPRINKLER VK606 |
|---|-----------------------|--|

The Viking Corporation, 210 N Industrial Park Drive, Hastings MI 49058
 Telephone: 269-945-9501 Technical Services: 877-384-5464 Fax: 269-818-1680 Email: techsvcs@vikingcorp.com

| | |
|--|---|
| Approval Chart 1 (UL) QREC Horizontal Sidewall Sprinkler VK606 For Light Hazard Occupancies Only. For installation below smooth, flat, horizontal ceilings only. | KEY Temperature Finish A1X ← Escutcheon (if applicable) |
|--|---|

| Sprinkler Base Part Number ¹ | NPT Thread Size | | Nominal K-Factor | | Maximum Water Working Pressure | Overall Length | |
|--|-----------------|--|------------------|---------------------|--------------------------------|--|----|
| | Inches | mm | U.S. | metric ² | | Inches | mm |
| 18271 | 3/4 | 20 | 8.0 | 115.2 | 175 psi (12 Bar) | 3-1/8 | 80 |
| Maximum Areas of Coverage ³ (Width x Throw) | | Minimum Water Supply Requirements ³ | | | Deflector-to-Ceiling Distance | Listings and Approvals ⁴ (Refer also to Design Criteria below.) | |
| | | | | | | cULus ⁵ | |
| 16' x 16' (4.9 m x 4.9 m) | | 26 gpm @ 10.6 psi (98.4 L/min @ 0.73 Bar) | | | 4 to 12" (102 to 305 mm) | A1Y | |
| 16' x 18' (4.9 m x 5.5 m) | | 29 gpm @ 13.1 psi (109.8 L/min @ 0.90 Bar) | | | 4 to 12" (102 to 305 mm) | A1Y | |
| 16' x 20' (4.9 m x 6.2 m) | | 32 gpm @ 16.0 psi (121.1 L/min @ 1.10 Bar) | | | 4 to 12" (102 to 305 mm) | A1Y | |
| 16' x 22' (4.9 m x 6.7 m) | | 36 gpm @ 20.3 psi (136.3 L/min @ 1.4 Bar) | | | 4 to 6" (102 to 152 mm) | A1Y | |
| 16' x 22' (4.9 m x 6.7 m) | | 38 gpm @ 22.6 psi (143.8 L/min @ 1.56 Bar) | | | 6 to 12" (152 to 305 mm) | A1Y | |

NOTICE - Product Below - Limited Availability (Contact Local Viking Office)

| Sprinkler Base Part Number ¹ | NPT Thread Size | | Nominal K-Factor | | Maximum Water Working Pressure | Overall Length | |
|--|-----------------|--|------------------|---------------------|--------------------------------|--|----|
| | Inches | mm | U.S. | metric ² | | Inches | mm |
| 13005 | 3/4 | 20 | 8.0 | 115.2 | 175 psi (12 Bar) | 3-1/8 | 80 |
| Maximum Areas of Coverage ³ (Width x Throw) | | Minimum Water Supply Requirements ³ | | | Deflector-to-Ceiling Distance | Listings and Approvals ⁴ (Refer also to Design Criteria below.) | |
| | | | | | | cULus ⁵ | |
| 16' x 16' (4.9 m x 4.9 m) | | 26 gpm @ 10.6 psi (98.4 L/min @ 0.73 Bar) | | | 4 to 12" (102 to 305 mm) | A2Z, B2Y | |
| 16' x 18' (4.9 m x 5.5 m) | | 29 gpm @ 13.1 psi (109.8 L/min @ 0.90 Bar) | | | 4 to 12" (102 to 305 mm) | A2Z, B2Y | |
| 16' x 20' (4.9 m x 6.2 m) | | 32 gpm @ 16.0 psi (121.1 L/min @ 1.10 Bar) | | | 4 to 12" (102 to 305 mm) | A2Z, B2Y | |
| 16' x 22' (4.9 m x 6.7 m) | | 36 gpm @ 20.3 psi (136.3 L/min @ 1.4 Bar) | | | 4 to 6" (102 to 152 mm) | A2Z, B2Y | |
| 16' x 22' (4.9 m x 6.7 m) | | 38 gpm @ 22.6 psi (143.8 L/min @ 1.56 Bar) | | | 6 to 12" (152 to 305 mm) | A2Z, B2Y | |

| | | |
|---|--|--|
| Approved Temperature Ratings A - 135 °F (57 °C), 155 °F (68 °C), and 175 °F (79 °C) B - 135 °F (57 °C), 155 °F (68 °C) | Approved Finishes 1 - Brass, Chrome, White Polyester, Black Polyester, and Black PTFE 2 - Brass, Chrome, White Polyester, and Black Polyester | Approved Escutcheons Y - Standard surface-mounted escutcheons or the Microfast® Model F-1 Adjustable Escutcheon, or recessed with the Micromatic® Model E-1 or E-2 Recessed Escutcheon, or the Model G-1 Adjustable Escutcheon. Z - Recessed with the Micromatic® Model E-1, E-2, or E-3 Recessed Escutcheon, or the Model G-1 Adjustable Escutcheon. |
|---|--|--|

Footnotes

- ¹ Part number shown is the base part number. For complete part number, refer to current Viking price list schedule.
 - ² Metric K-factor measurement shown is when pressure is measured in Bar. When pressure is measured in kPa, divide the metric K-factor shown by 10.0.
 - ³ For areas of coverage smaller than shown, use the "Minimum Water Supply Requirement" for the next larger area listed. Flows and pressures listed are per sprinkler.
 - ⁴ This chart shows the listings and approvals available at the time of printing. Other approvals may be in process. Check with the manufacturer for any additional approvals.
 - ⁵ Listed by Underwriter's Laboratories, Inc. for use in the U.S. and Canada for Light-Hazard occupancies with smooth, flat, horizontal ceilings only.
- NOTE:** Horizontal sidewall sprinklers must be installed with deflectors located between 4" and 6" (102 mm and 152 mm) from walls. *Exception:* Horizontal sidewall sprinklers may be located less than 4" (102 mm) from the wall in which they are installed. Always install horizontal sidewall sprinklers with the top of the deflector aligned parallel with the ceiling or roof.



TECHNICAL DATA

**MICROFAST® QUICK
RESPONSE EXTENDED
COVERAGE HSW
SPRINKLER VK606**

The Viking Corporation, 210 N Industrial Park Drive, Hastings MI 49058
 Telephone: 269-945-9501 Technical Services: 877-384-5464 Fax: 269-818-1680 Email: techsvcs@vikingcorp.com

DESIGN CRITERIA - UL

(Also refer to Approval Chart 1 above.)

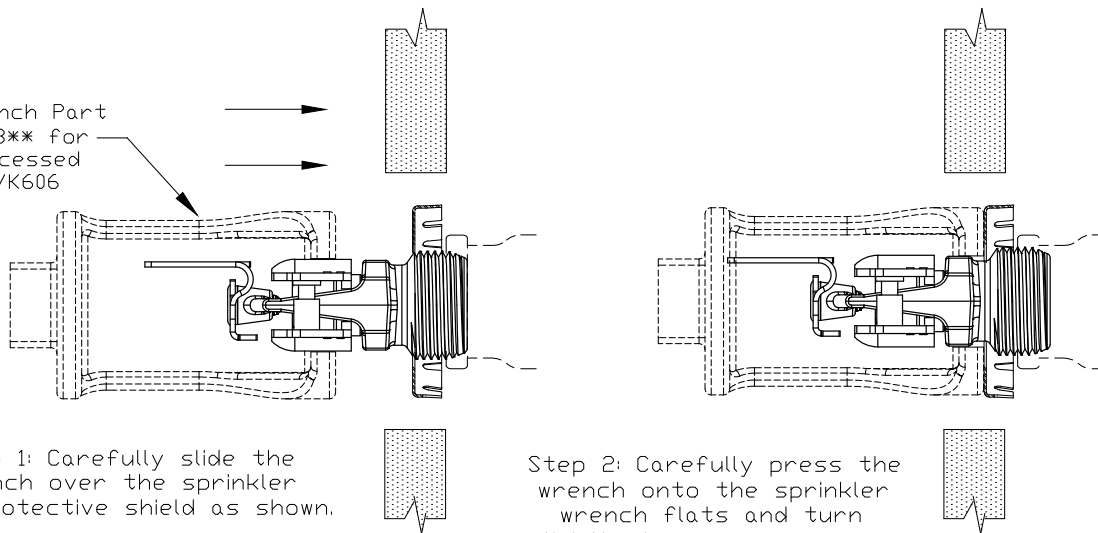
cULus Listing Requirements:

Extended Coverage Horizontal Sidewall Sprinkler VK606 is cULus Listed as a quick response sprinkler as indicated in Approval Chart 1 for installation in accordance with the latest edition of NFPA 13 for extended coverage sidewall spray sprinklers:

- Limited to Light Hazard occupancies with smooth, flat, horizontal ceilings only.
- Refer to Approval Chart 1 for required deflector distance below the ceiling. Install with the leading edge of the deflector and sprinkler frame arms oriented parallel to the ceiling (see Figure 3). **THE TOP SURFACE OF THE DEFLECTOR IS MARKED "TOP"**. The sprinkler must be oriented as shown in Figure 3.
- Minimum distance from end walls is 4 in. (102 mm).
- Maximum distance from the end wall shall be no more than one-half of the allowable distance between sprinklers. The distance shall be measured perpendicular to the wall.
- The sprinkler installation and obstruction rules contained in NFPA 13 for extended coverage sidewall spray sprinklers must be followed.

IMPORTANT: Always refer to Bulletin Form No. F_091699 - Care and Handling of Sprinklers. Also refer to pages EC1-3 for general care, installation, and maintenance information. Viking sprinklers are to be installed in accordance with the latest edition of Viking technical data, the appropriate standards of NFPA, LPCB, APSAD, VdS or other similar organizations, and also with the provisions of governmental codes, ordinances, and standards, whenever applicable.

Sprinkler Wrench Part
 No. 13655W/B** for
 installing recessed
 sprinkler VK606



Step 1: Carefully slide the wrench over the sprinkler and protective shield as shown.

**Note: A 1/2" ratchet is required (not available from Viking).

Step 2: Carefully press the wrench onto the sprinkler wrench flats and turn slightly to ensure engagement with the wrench flats.

(Note the orientation of the shield in the wrench.)

Figure 2:

Wrench 13655W/B for Recessed Sprinkler VK606



TECHNICAL DATA

MICROFAST® QUICK RESPONSE EXTENDED COVERAGE HSW SPRINKLER VK606

The Viking Corporation, 210 N Industrial Park Drive, Hastings MI 49058
Telephone: 269-945-9501 Technical Services: 877-384-5464 Fax: 269-818-1680 Email: techsvcs@vikingcorp.com

| Approval Chart 2 (FM) | | | | | | | | <div style="border: 1px solid black; padding: 2px;"> <table style="font-size: small;"> <tr> <td style="text-align: center;">Temperature</td> <td style="text-align: center;">KEY</td> </tr> <tr> <td style="text-align: center;">Finish</td> <td></td> </tr> <tr> <td style="text-align: center;">A1X ←</td> <td style="text-align: center;">Escutcheon (if applicable)</td> </tr> </table> </div> | Temperature | KEY | Finish | | A1X ← | Escutcheon (if applicable) |
|---|----------------------------|---|----|---------------------|---------------------|--|---|--|-------------|-----|--------|--|-------|----------------------------|
| Temperature | KEY | | | | | | | | | | | | | |
| Finish | | | | | | | | | | | | | | |
| A1X ← | Escutcheon (if applicable) | | | | | | | | | | | | | |
| Microfast® Quick Response Extended Coverage HSW Sprinkler VK606 Maximum 175 PSI (12 Bar) WWP | | | | | | | | | | | | | | |
| Sprinkler Base Part Number ¹ | SIN | NPT Thread Size | | Nominal K-Factor | | Maximum Areas of Coverage ³ | Minimum Water Supply Requirements ³ Flow/Pressure | FM Approvals ⁴ (Refer also to Design Criteria below.) | | | | | | |
| | | Inches | mm | U.S. | metric ² | (Width x Throw) | | | | | | | | |
| 13005 | VK606 | 3/4 | 20 | 8.0 | 115.2 | 16' x 16' (4.9 m x 4.9 m) | 32 gpm @ 16.0 psi (121.1 L/min @ 1.10 Bar) | A1Y, B1Z | | | | | | |
| 13005 | VK606 | 3/4 | 20 | 8.0 | 115.2 | 16' x 18' (4.9 m x 5.5 m) | 36 gpm @ 20.3 psi (136.3 L/min @ 1.4 Bar) | A1Y, B1Z | | | | | | |
| 13005 | VK606 | 3/4 | 20 | 8.0 | 115.2 | 16' x 20' (4.9 m x 6.1 m) | 40 gpm @ 25.0 psi (151.4 L/min @ 1.72 Bar) | A1Y, B1Z | | | | | | |
| 13005 | VK606 | 3/4 | 15 | 8.0 | 115.2 | 16' x 22' (4.9 m x 6.7 m) | 44 gpm @ 30.3 psi (166.6 L/min @ 2.09 Bar) | A1Y, B1Z | | | | | | |
| 13005 | VK606 | 3/4 | 15 | 8.0 | 115.2 | 16' x 24' (4.9 m x 7.3 m) | 48 gpm @ 36.0 psi (181.7 L/min @ 2.48 Bar) | A1Y, B1Z | | | | | | |
| Sprinkler Temperature Ratings A - 135 °F (57 °C), 155 °F (68 °C) and 175 °F (79 °C) B - 135 °F (57 °C), 155 °F (68 °C) | | Approved Finishes 1 - Brass, Chrome, White Poly-ester, and Black Polyester | | | | Approved Escutcheons Y - Recessed with the Micromatic® Model E-1, E-2, or E-3 Recessed Escutcheon, or the Model G-1 Adjustable Escutcheon. Z - Standard surface-mounted escutcheons or the Microfast® Model F-1 Adjustable Escutcheon, or recessed with the Micromatic® Model E-1, E-2, or E-3 Recessed Escutcheon, or the Model G-1 Adjustable Escutcheon. | | | | | | | | |
| Footnotes | | | | | | | | | | | | | | |
| ¹ Part number shown is the base part number. For complete part number, refer to current Viking price list schedule. ² Metric K-factor measurement shown is when pressure is measured in Bar. When pressure is measured in kPa, divide the metric K-factor shown by 10.0. ³ This chart shows the FM Approvals available at the time of printing. Other approvals may be in process. Check with the manufacturer for any additional approvals. ⁴ For areas of coverage smaller than shown, use the "Minimum Water Supply Requirement" for the next larger area listed. Flows and pressures listed are per sprinkler. | | | | | | | | | | | | | | |

DESIGN CRITERIA - FM

(Also refer to Approval Chart 2 above.)

FM Approval Requirements:

Microfast® Quick Response Extended Coverage Horizontal Sidewall Sprinkler VK606 is FM Approved as a quick response sidewall **Non-Storage** sprinkler as indicated in the FM Approval Guide. For specific application and installation requirements, reference the latest applicable FM Loss Prevention Data Sheets (including 2-0) and Technical Advisory Bulletins. FM Global Loss Prevention Data Sheets and Technical Advisory Bulletins contain guidelines relating to, but not limited to: minimum water supply requirements, hydraulic design, ceiling slope and obstructions, minimum and maximum allowable spacing, and deflector distance below the ceiling.

NOTE: The FM installation guidelines may differ from cULus and/or NFPA criteria.

IMPORTANT: Always refer to Bulletin Form No. F_091699 - Care and Handling of Sprinklers. Also refer to pages EC1-3 for general care, installation, and maintenance information. Viking sprinklers are to be installed in accordance with the latest edition of Viking technical data, the appropriate standards of NFPA, FM Global, LPCB, APSAD, VdS or other similar organizations, and also with the provisions of governmental codes, ordinances, and standards, whenever applicable.

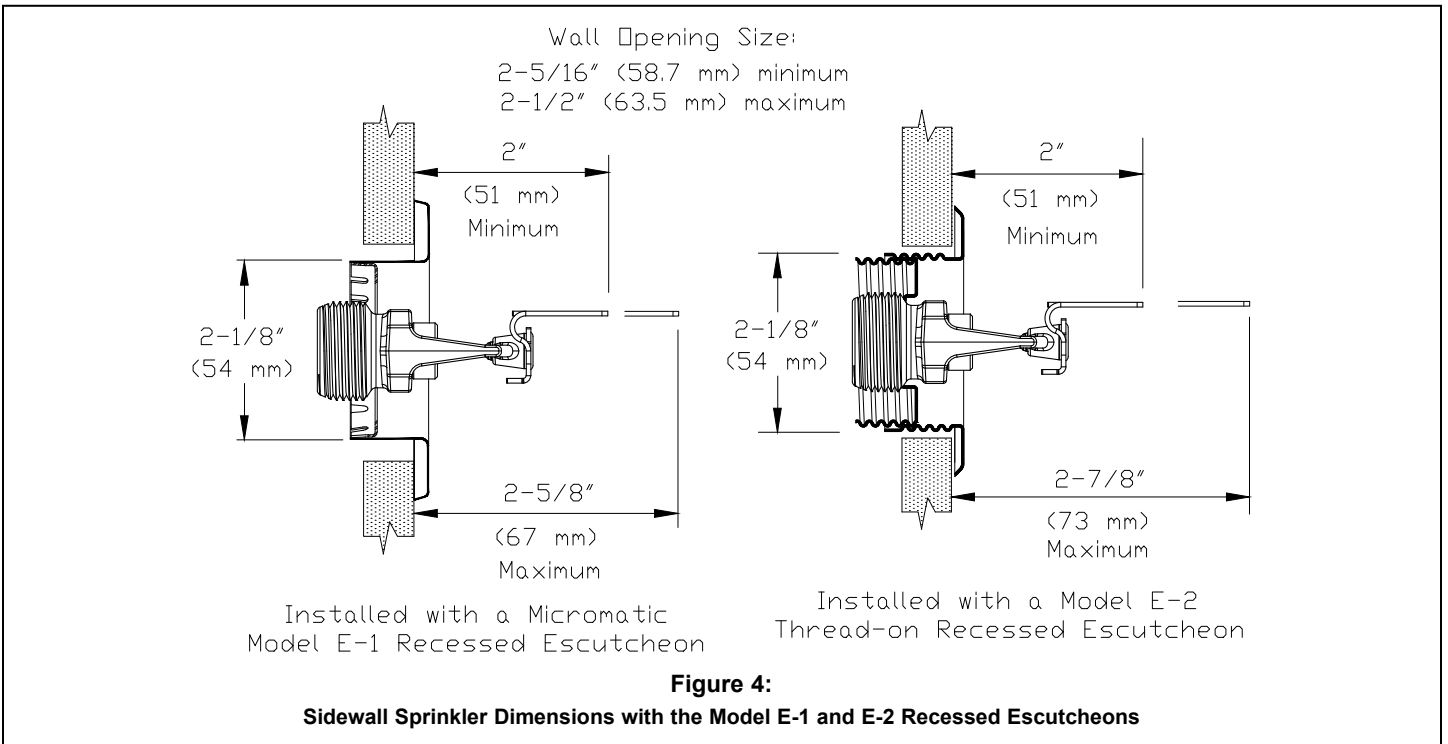
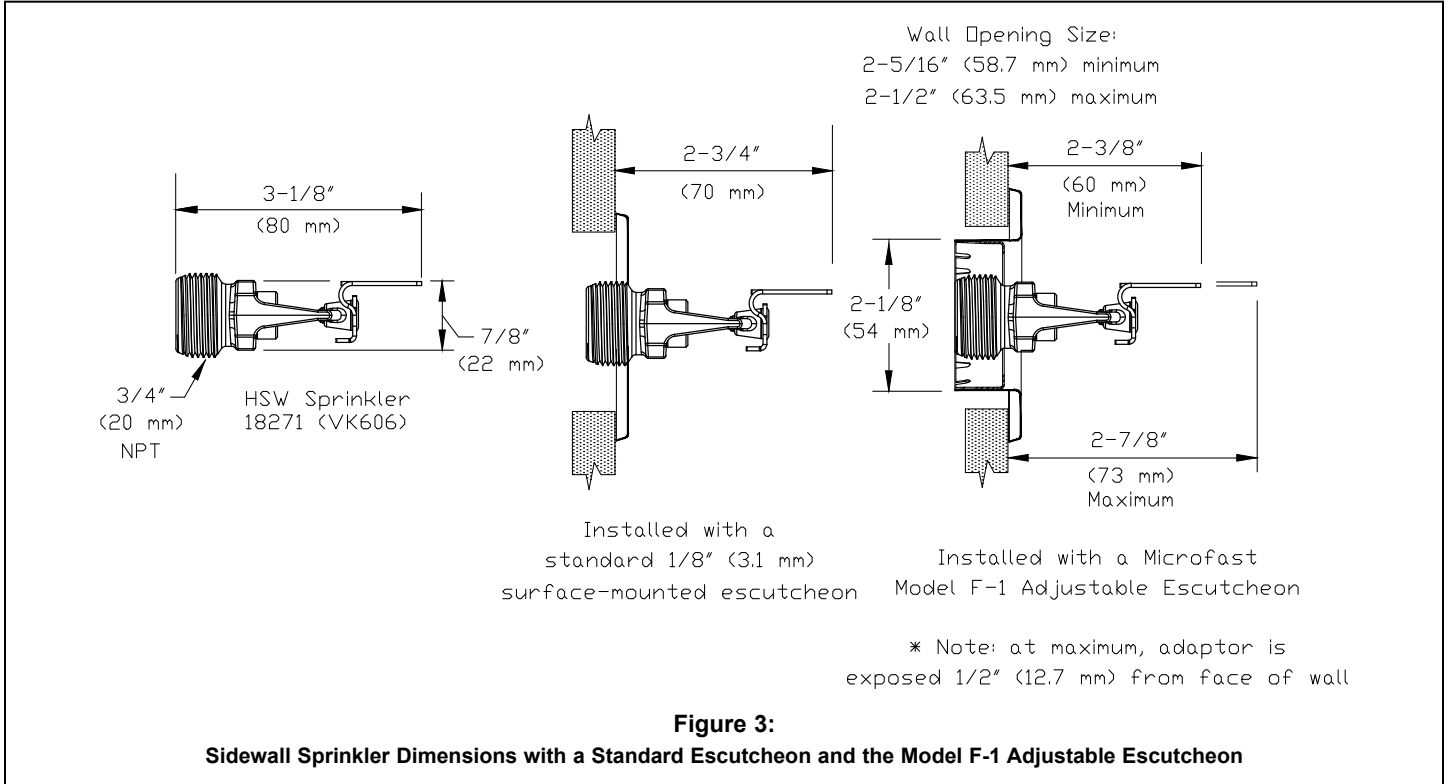


TECHNICAL DATA

**MICROFAST® QUICK
RESPONSE EXTENDED
COVERAGE HSW
SPRINKLER VK606**

The Viking Corporation, 210 N Industrial Park Drive, Hastings MI 49058

Telephone: 269-945-9501 Technical Services: 877-384-5464 Fax: 269-818-1680 Email: techsvcs@vikingcorp.com





TECHNICAL DATA

**MICROFAST® QUICK
RESPONSE EXTENDED
COVERAGE HSW
SPRINKLER VK606**

The Viking Corporation, 210 N Industrial Park Drive, Hastings MI 49058

Telephone: 269-945-9501 Technical Services: 877-384-5464 Fax: 269-818-1680 Email: techsvcs@vikingcorp.com

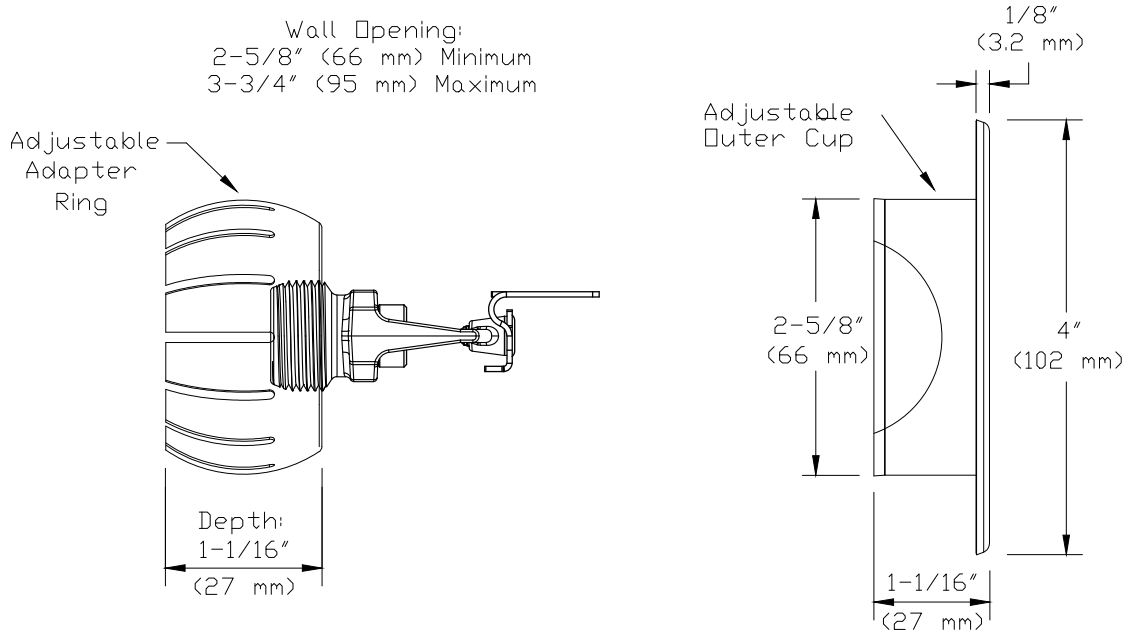


Figure 5:
Sidewall Sprinkler Dimensions with the Model G-1 Adjustable Escutcheon