



TECHNICAL DATA

**GROOVED FITTINGS
MODEL V-7121 REDUCING TEE**

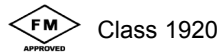
The Viking Corporation, 210 N Industrial Park Drive, Hastings MI 49058

Telephone: 269-945-9501 Technical Services: 877-384-5464 Fax: 269-818-1680 Email: techsvcs@vikingcorp.com

1. DESCRIPTION

VGS® Model V-7121 grooved Reducing Tees are available in sizes ranging from 2” to 8” with various outlet sizes as shown in Table 1 below. VGS® grooved-end fittings are manufactured at ISO9001 certified facilities and are designed to conform to ASTM and other standards where applicable. These products are manufactured and designed to meet ASTM F1548 and ANSI/AWWA C606 requirements for use with grooved mechanical couplings conforming to ASTM F1476.

2. LISTINGS AND APPROVALS



3. TECHNICAL DATA

Specifications:

Maximum working pressure: 300 psi (21 bar)

Ductile iron conforming to ASTM A536 Grade 65-45-12

Coating rust inhibiting paint - Orange RAL 2001

Hot dipped Zinc galvanized versions are available (conforming to ASTM A153); when ordering, add a “G” suffix to the Model number.

The latest VGS® Technical Data can be accessed at <http://www.vikinggroupinc.com>. Scan to visit our Mobile website:



<http://vikinggroup.mobi/p/46374>

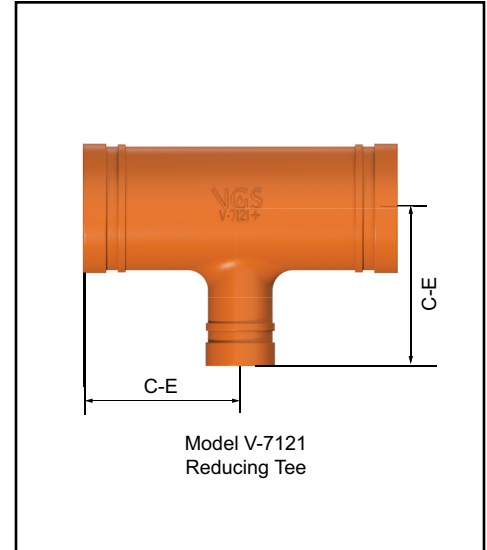


TABLE 1: VGS MODEL V-7121 GROOVED REDUCING TEE SIZING

Nominal Size in (mm)	Pipe O.D. in (mm)	V-7121 Reducing Tee	
		C-E in (mm)	Lbs (Kg)
2 x 2 x 1 (50 x 50 x 25)	2.375 x 2.375 x 1.315 (60 x 60 x 33)	3.27 (83)	2.43 (1.1)
2 x 2 x 1.5 (50 x 50 x 40)	2.375 x 2.375 x 1.9 (60 x 60 x 48)	3.27 (83)	2.47 (1.12)
2.5 x 2.5 x 1 (65 x 65 x 25)	2.875 x 2.875 x 1.315 (73 x 73 x 33)	3.74 (95)	3.42 (1.55)
2.5 x 2.5 x 2 (65 x 65 x 50)	2.875 x 2.875 x 2.375 (73 x 73 x 60)	3.74 (95)	3.79 (1.72)
3 x 3 x 1 (80 x 80 x 25)	3.5 x 3.5 x 1.315 (89 x 89 x 33)	4.25 (108)	4.96 (2.25)
3 x 3 x 1.5 (80 x 80 x 40)	3.5 x 3.5 x 1.9 (89 x 89 x 48)	4.25 (108)	5.8 (2.63)
3 x 3 x 2 (80 x 80 x 50)	3.5 x 3.5 x 2.375 (89 x 89 x 60)	4.25 (108)	5.98 (2.71)
3 x 3 x 2.5 (80 x 80 x 65)	3.5 x 3.5 x 2.875 (89 x 89 x 73)	4.25 (108)	5.53 (2.51)
4 x 4 x 1 (100 x 100 x 25)	4.5 x 4.5 x 1.315 (114 x 114 x 33)	5 (127)	8.36 (3.79)
4 x 4 x 2 (100 x 100 x 50)	4.5 x 4.5 x 2.375 (114 x 114 x 60)	5 (127)	8.84 (4.01)
4 x 4 x 2.5 (100 x 100 x 65)	4.5 x 4.5 x 2.875 (114 x 114 x 73)	5 (127)	9.04 (4.1)

TABLE 1 (cont.): VGS MODEL V-7121 GROOVED REDUCING TEE SIZING

Nominal Size in (mm)	Pipe O.D. in (mm)	V-7121 Reducing Tee	
		C-E in (mm)	Lbs (Kg)
4 x 4 x 3 (100 x 100 x 80)	4.5 x 4.5 x 3.5 (114 x 114 x 89)	5 (127)	8.64 (3.92)
5 x 5 x 2 (125 x 125 x 50)	5.563 x 5.563 x 2.375 (141 x 141 x 60)	5.5 (140)	10.98 (4.98)
5 x 5 x 4 (125 x 125 x 80)	5.563 x 5.563 x 2.375 (141 x 141 x 60)	5.5 (140)	13.36 (6.06)
5 x 5 x 4 (125 x 125 x 100)	5.563 x 5.563 x 4.5 (141 x 141 x 114)	5.5 (140)	14.62 (6.63)
6 x 6 x 2 (150 x 150 x 50)	6.625 x 6.625 x 2.375 (168 x 168 x 60)	6.5 (165)	18.37 (8.33)
6 x 6 x 2.5 (150 x 150 x 65)	6.625 x 6.625 x 2.875 (168 x 168 x 73)	6.5 (165)	17.42 (7.9)
6 x 6 x 3 (150 x 150 x 80)	6.625 x 6.625 x 3.5 (168 x 168 x 89)	6.5 (165)	17.68 (8.02)
6 x 6 x 4 (150 x 150 x 100)	6.625 x 6.625 x 4.5 (168 x 168 x 114)	6.5 (165)	18.81 (8.53)
8 x 8 x 2.5 (200 x 200 x 65)	8.625 x 8.625 x 2.875 (219 x 219 x 73)	7.76 (197)	31.88 (14.46)
8 x 8 x 3 (200 x 200 x 80)	8.625 x 8.625 x 3.5 (219 x 219 x 89)	7.76 (197)	31.81 (14.43)
8 x 8 x 4 (200 x 200 x 100)	8.625 x 8.625 x 4.5 (219 x 219 x 114)	7.76 (197)	33.67 (15.27)
8 x 8 x 6 (200 x 200 x 150)	8.625 x 8.625 x 6.625 (219 x 219 x 168)	7.76 (197)	34.92 (15.84)