

# Beam Clamps

## B3034 - C-Clamp



**Size Range:** 3/8"-16 thru 3/4"-10 rod

**Material:** Cast Malleable Steel with hardened cup point set screw and jam nut

**Function:** Recommended for hanging from steel beam where flange thickness does not exceed 3/4" (19.0mm).

**Features:** May be used on top or bottom flange of the beam. Beveled lip allows hanging from top flange where clearance is limited. May be installed with the set screw in the up or down position. Offset design permits unlimited rod adjustment by allowing the rod to be threaded completely through the clamp. The rear window design permits inspection of thread engagement.

**Approvals:** Underwriters Laboratories Listed (**cULus**) and Factory Mutual Engineering Approved (**FM**) for 3/8"-16 and 1/2"-13 rod sizes. Conforms to Federal Specification WW-H-171E & A-A-1192A, Type 23 and Manufacturers Standardization Society ANSI/MSS SP-69 & SP-58, Type 19. 3/8"-16 is (**cULus**) Listed to support up to 4" (100mm) pipe with the set screw in the down position, up to 3" (75mm) pipe with the set screw in the up position. 1/2"-13 is (**cULus**) Listed to support up to 8" (200mm) pipe with the set screw in the down position, up to 6" (150mm) pipe with the set screw in the up position. Factory Mutual Engineering Approved only with the setscrew in the down position.

**Finish:** Plain. Contact B-Line for alternative finishes and materials.

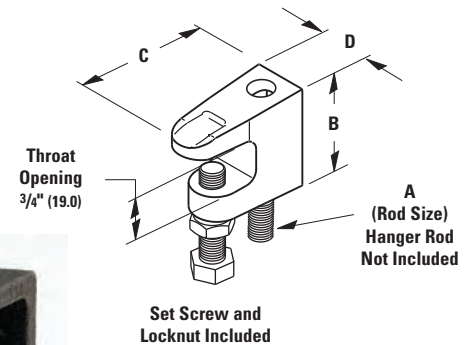
**Order By:** Figure number, rod size and finish

**Setscrew Torque:** Per MSS SP-58 14.2.5

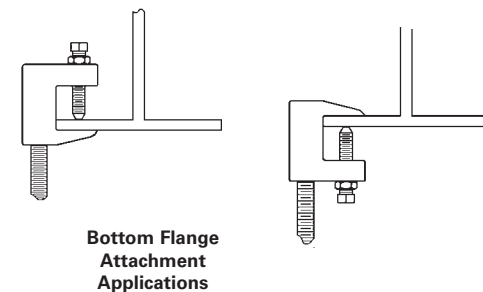
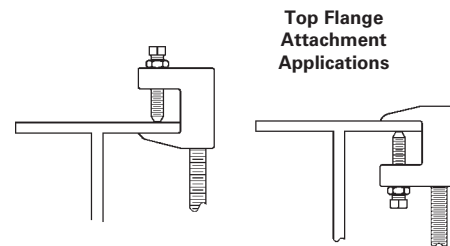
3/8" -16 set screws = 5 ft./lbs. (7 Nm)

1/2" -13 set screws = 11 ft./lbs. (15 Nm)

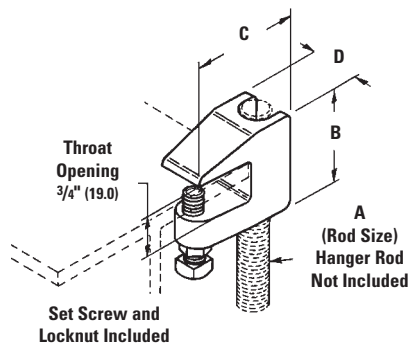
Caution should be taken not to over-tighten set screws.



Beam Clamps



B3034-5/8" and B3034-3/4" sizes  
Attach only as shown.



Part No.	Rod Size A	Set Screw Size	B		C		D		Maximum Iron Pipe Size Per UL		Approx. Wt./100	
			in.	(mm)	in.	(mm)	in.	(mm)	in.	(mm)	Lbs.	(kg)
B3034-3/8	3/8"-16	3/8"-16 x 1 1/2"	15/8"	(41.3)	2"	(50.8)	7/8"	(19.0)	4"	(100)	30	(13.6)
B3034-1/2	1/2"-13	1/2"-13 x 1 1/2"	1 13/16"	(46.0)	2 3/16"	(55.6)	1 3/16"	(30.2)	8"	(200)	47	(21.3)
B3034-5/8	5/8"-11	1/2"-13 x 2"	1 3/4"	(44.5)	2 1/8"	(54.0)	1 1/4"	(31.7)	--	--	58	(26.3)
B3034-3/4	3/4"-10	1/2"-13 x 2"	2"	(50.8)	2 1/4"	(57.2)	1 1/4"	(31.7)	--	--	77	(35.0)

All dimensions in charts and on drawings are in inches. Dimensions shown in parentheses are in millimeters unless otherwise specified.