

Butterball VALVE

BB2 SERIES

1/4"-2" 175 PSI (1207kPa)

THREADED END ONLY

WW-V-1967

THREADED END - FIG# BB2-100
SOLDER END - FIG# BB2-350



RATINGS

- 175 psig WOG
- CSA (AGA/CGA) & UL Ratings^{(1)(*)}
- Vacuum to 29"
1(Except 1/4" & 3/8" Threaded end)

FEATURES

- Full Port Design
- Full Flow, High Cv
- One Piece Bronze Body*
- Stainless Steel stem and disc
- Viton Seal
- Excellent throttling characteristics⁽³⁾
- Requires no system pressure to seal
- 30°F to 275°F Temperature Range

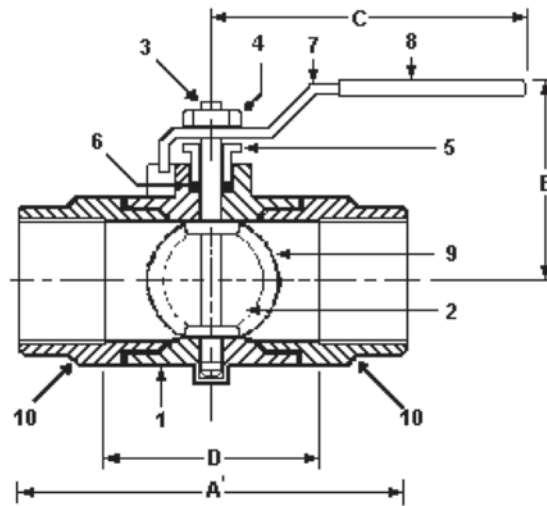
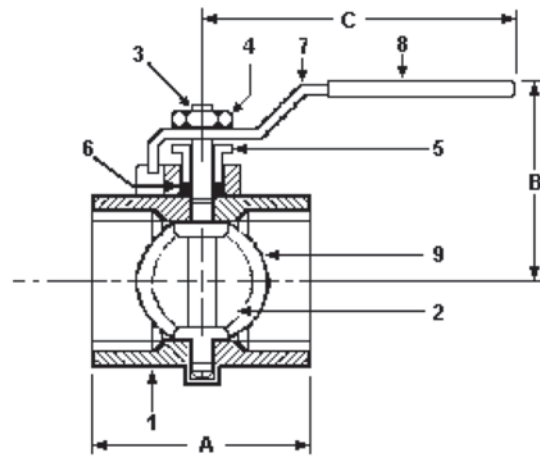
APPLICATIONS

- Natural Gas Shut-off*
(1/2" psi and 5 psi)
- LP Gas Shut-off*
- Gas and Air Systems
- Fuel Oil (Types 1-6)*
- Oil Systems*
- Liquid Service including water⁽²⁾
- Throttling, Balancing & Shut-off⁽³⁾
- Vacuum Service

* Applies to BB2-100 Series Threaded End only

⁽²⁾ Do not use on hot water over 120° F

⁽³⁾ Do not throttle or leave in the near closed position as seal damage may result.



MATERIALS

ITEM	PART	MATERIALS	ASTM SPEC.
1	Body	Bronze	ASTM-B584
2	Disk	Stainless Steel	Type 304
3	Stem	Stainless Steel	Type 303
4	Hex Nut	Stainless Steel	Type 302
5	Gland	Rod Bronze	CA-360
6	Packing	Nylon	
7	Handle	Steel w/ Zinc Plating	
8	Flat Grip	Vinyl	
9	Disc Seat	Viton	
10	Tailpiece	3/8" - 3/4" Brass Rod	ASTM-B16
		1"-2" Bronze	ASTM-B584

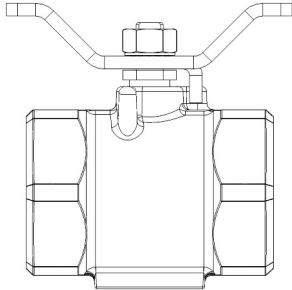
DIMENSIONS

	UNITS	1/4" DN6	3/8" DN10	1/2" DN15	3/4" DN20	1" DN25	1-1/4" DN32	1-1/2" DN40	2" DN50
A	INCHES mm	2.25 57.2	2.38 60.3	1.88 47.6	2.00 50.8	2.13 54.0	2.63 66.7	2.88 73.0	3.25 82.6
A ¹	INCHES mm	NA	2.38 60.3	2.50 63.5	3.13 79.4	3.63 92.1	4.38 111.1	4.88 123.8	5.63 142.9
B	INCHES mm	1.50 38.1	1.50 38.1	1.50 38.1	1.56 39.6	1.75 44.5	2.19 55.63	2.31 58.7	3.63 92.2
C	INCHES mm	3.50 88.9	3.50 88.9	3.50 88.9	3.50 88.9	3.50 88.9	5.00 127	5.00 127	5.00 127
D	INCHES mm	NA	1.63 41.4	1.50 38.1	1.63 41.4	1.81 46.0	2.44 62.0	2.69 68.3	2.94 74.7
Cv			10	13	25	43	85	112	180
Torque	in/lb	18	18	18	22	35	50	70	120
Weight (lbs)	BB2-100	0.6	0.6	0.5	0.7	0.8	1.0	1.5	3.0
	BB2-350	NA	0.5	0.5	0.6	1.0	1.6	2.0	3.7

Rev. 3

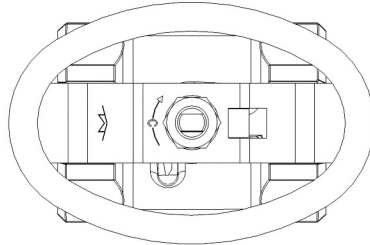
The information presented on this sheet is correct at the time of publication. Milwaukee Valve reserves the right to change design, and/or material specifications without notice. For the Installation, Operation and Maintenance Manual (IOM) see the engineering section on our website. For the most current information access www.milwaukeevalve.com





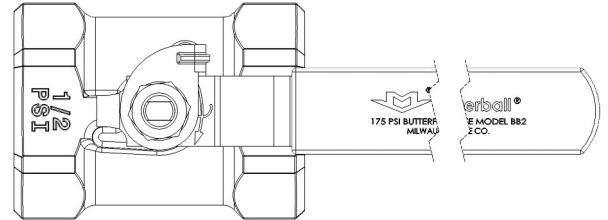
Tee Handle Option

To Order Tee Handle,
Add suffix "T" to Number.
(E.g. BB2-100T)



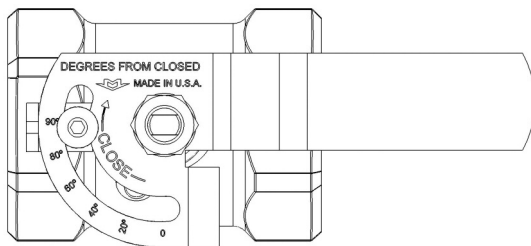
Oval Handle Option

To Order Oval Handle,
Add suffix "R" to Number.
(E.g. BB2-100R)



Memory Stop Option

To Order Memory Stop Option,
Use this Model Number, BB2-102



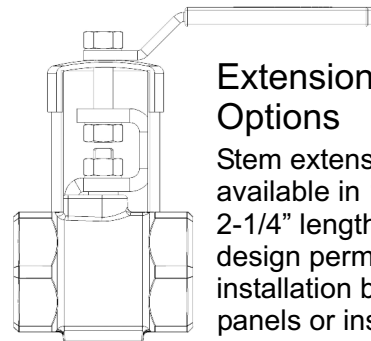
Calibrated Memory Stop Handle Option

This Flow Set Handle Provides a
visual 90 X Scale to Position
the Memory Stop.

Order using Model Number BB2FS100.

Rev. 2

**NOTE: Some Accessories Can be
Combined for Added Versatility.
Consult Factory.**



Extension Stem Options

Stem extensions are
available in 1-1/4" &
2-1/4" lengths. The
design permits valve
installation behind
panels or inside
equipment enclosures.

1-1/4" Extension, Order BB2-103

2-1/4" Extension, Order BB2-104