

# Pipe Hangers



## B3100 - Clevis Hanger for NFPA Sizes 3/4" (20mm) thru 2" (50mm)

### Fig. 1NFPA - Clevis Hanger for NFPA Sizes 2 1/2" (65mm) thru 12" (300mm)

**Size Range:** 3/4" (20mm) to 12" (300mm)

**Material:** Steel

**Function:** Recommended for the suspension of non-insulated pipe or insulated pipe with a B3151 shield.

**Note:** When an oversized clevis is used, a pipe spacer should be placed over the cross bolt to assure that the lower U-strap will not move in on the bolt. When attaching seismic bracing to the clevis hangers, a 1CBS (clevis bolt spacer) must be installed.

**Order pipe sleeves Fig. 1CBS-(pipe size) separately.**

**Approvals:** Underwriter's Laboratories Listed in the USA (**UL**) and Canada (**cUL**) for sizes 3/4" (20) thru 12" (300). Factory Mutual Engineering Approved (**FM**) for 3/4" (20mm) thru 8" (200mm) pipe. Conforms to Federal Specification WW-H-171E & A-A-1192A, Type 1 and Manufacturers Standardization Society ANSI/MSS SP-69 & SP-58, Type 1. Rod sizes per National Fire Protection Association (**NFPA**) Pamphlet 13.

**Maximum Temperature:** 650°F (343°C).

**Standard Finish:** Plain, Electro-Galvanized, DURA-GREEN™, or Hot-Dip Galvanized also available in Stainless Steel

**Order By:** Figure number and finish.

For pipe sizes under 2 1/2" (65mm) order B3100 Clevis Hanger, see chart below.

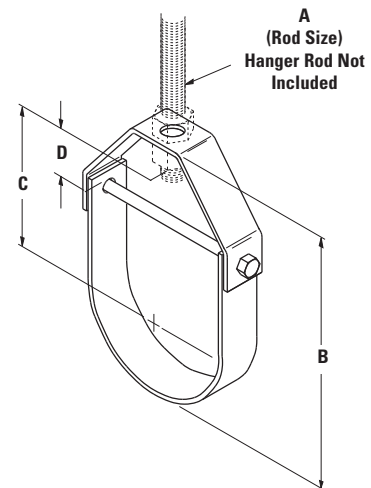
Designed to meet or exceed requirements of FM DS 2-0.



**B**  
Overall Height.

**C**  
Bottom of hanger rod nut to center of pipe.

**D**  
Bottom of hanger rod nut to top clevis bolt.



Part No.	Nominal Pipe Size		Rod Size A	B		C		D		Approx. Wt./100	
	in.	(mm)		in.	(mm)	in.	(mm)	in.	(mm)	Lbs.	(kg)
B3100-3/4	3/4"	(20)	3/8"-16	2 5/8"	(66.7)	1 9/16"	(39.7)	9/16"	(14.3)	29	(13.1)
B3100-1	1"	(25)	3/8"-16	2 11/16"	(68.3)	1 9/16"	(39.7)	1 1/16"	(17.5)	35	(15.9)
B3100-1 1/4	1 1/4"	(32)	3/8"-16	3 3/16"	(81.0)	1 7/8"	(47.6)	1 5/16"	(29.8)	40	(18.1)
B3100-1 1/2	1 1/2"	(40)	3/8"-16	3 3/8"	(85.7)	1 15/16"	(49.2)	1 1/4"	(31.7)	42	(19.0)
B3100-2	2"	(50)	3/8"-16	4 9/16"	(115.9)	2 7/8"	(73.0)	1 1/8"	(28.6)	52	(23.6)
1NFPA-2 1/2	2 1/2"	(65)	3/8"-16	5 5/16"	(134.9)	3 1/4"	(82.5)	1"	(25.4)	124	(56.2)
1NFPA-3	3"	(80)	3/8"-16	5 15/16"	(150.8)	3 1/2"	(88.9)	1 1/4"	(31.7)	140	(63.5)
1NFPA-3 1/2	3 1/2"	(90)	3/8"-16	6 7/16"	(163.5)	3 3/4"	(95.2)	1 1/4"	(31.7)	152	(68.9)
1NFPA-4	4"	(100)	3/8"-16	7 3/8"	(187.3)	4 1/4"	(107.9)	1 1/2"	(38.1)	190	(86.2)
1NFPA-5	5"	(125)	1/2"-13	8 15/16"	(226.9)	5 1/4"	(133.3)	1 1/2"	(38.1)	235	(106.6)
1NFPA-6	6"	(150)	1/2"-13	9 13/16"	(249.2)	5 1/2"	(139.7)	1 1/2"	(38.1)	317	(143.8)
1NFPA-8	8"	(200)	1/2"-13	12 9/16"	(319.1)	7 1/8"	(181.0)	2"	(50.8)	428	(194.1)
1NFPA-10	10"	(250)	5/8"-11	16 1/4"	(412.7)	9 5/8"	(244.5)	3 1/4"	(82.5)	918	(416.4)
1NFPA-12	12"	(300)	5/8"-11	18 9/16"	(471.5)	10 13/16"	(268.3)	3 1/8"	(79.4)	1086	(492.6)