



## Fig. 65 - Reversible Steel C-Type Beam Clamp $\frac{3}{4}$ " (19.0mm) Throat Opening

## Fig. 65XT - Reversible Steel C-Type Beam Clamp $\frac{3}{4}$ " (19.0mm) Throat Opening (bottom of page)

### Size Range:

Fig. 65 -  $\frac{1}{2}$ "-13 rod sizes, and  $\frac{5}{8}$ "-11 rod sizes

Fig. 65XT -  $\frac{3}{8}$ "-16 rod size (see below)

**Material:** Steel with hardened cup point set screw and jam nut

**Function:** Recommended for hanging from steel beam where flange thickness does not exceed  $\frac{3}{4}$ " (19.0mm).

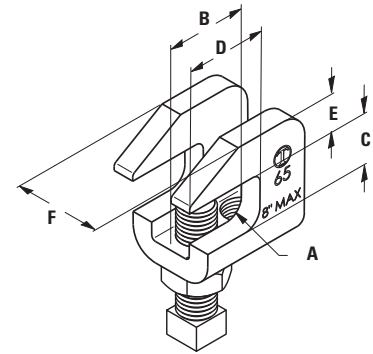
**Features:** All steel construction eliminates structural deficiencies associated with casting type beam clamps. May be used on top or bottom flange of beam. (Beveled lip allows hanging from top flange where clearance is limited.) May be installed with set screw in up or down position. Offset design permits unlimited rod adjustment by allowing the rod to be threaded completely through the clamp. Open design permits inspection of thread engagement.

**Approvals:** Underwriters Laboratories Listed in the USA (UL) and Canada (cUL). Exceeds requirements of the National Fire Protection Association (NFPA), pamphlet 13,  $\frac{3}{8}$ "-16 rod will support  $\frac{1}{2}$ " (15mm) thru 4" (100mm) pipe  
 $\frac{1}{2}$ "-13 rod will support thru 8" (200mm) pipe

**Finish:** Plain. Contact B-Line for alternative finishes and materials.

**Order By:** Figure number and finish

**Fig. 65 Patent #4,570,885**



Set Screw and Locknut Included



Beam Clamps

Part No.	Rod Size A	B		C		D		E	
		in.	(mm)	in.	(mm)	in.	(mm)	in.	(mm)
65- $\frac{1}{2}$	$\frac{1}{2}$ "-13	1 $\frac{1}{2}$ "	(38.1)	$\frac{3}{4}$ "	(19.0)	1"	(25.4)	$\frac{9}{16}$ "	(14.3)
65- $\frac{5}{8}$	$\frac{5}{8}$ "-11	1 $\frac{1}{2}$ "	(38.1)	$\frac{3}{4}$ "	(19.0)	1"	(25.4)	$\frac{9}{16}$ "	(14.3)

Part No.	F		Approx. Wt./100	
	in.	(mm)	Lbs.	(kg)
65- $\frac{1}{2}$	1 $\frac{1}{4}$ "	(31.7)	55	(24.9)
65- $\frac{5}{8}$	1 $\frac{1}{4}$ "	(31.7)	55	(24.9)

## Fig. 65XT- $\frac{3}{8}$ - Beam Clamp

**Feature:** Extruded holes allows for more thread engagement of threaded rod and set screw.

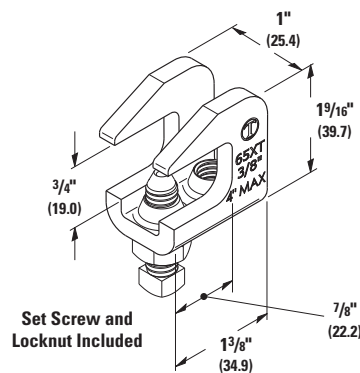
**Weight:** Approx. Wt./100 - 28.0 Lbs. (12.7kg)

**Finish:** Plain or Electro-Galvanized

**Order By:** Figure number and finish

**Approvals:** Underwriters Laboratories Listed (cULus) and FM Approved (FM) for up to 4" (100mm) pipe.

Designed to meet or exceed requirements of FM DS 2-0.



Set Screw and Locknut Included



All dimensions in charts and on drawings are in inches. Dimensions shown in parentheses are in millimeters unless otherwise specified.