



UNITED BRASS WORKS, INC

714 S. Main St.. Randleman, N.C. 27317

Phone: 800/334-3

035 Fax: 800/498-4696



Model 125SUL Globe Valve Soft Disc

UL Listed for Fire Sprinkler Service at 250 WOG
200 WOG @ 180 ° Max

100% Pressure Tested

Threaded Ends

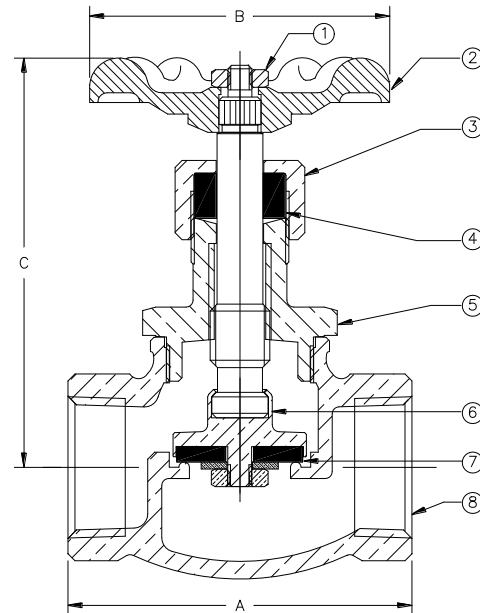
Rising Stem • Integral Seat

Swivel Disc Holder

Contains Lead. Not Intended for Use in Potable Water Systems

MATERIAL LIST

NO.	DESCRIPTION	MATERIAL
1	Hex Nut	Steel
2	Hand Wheel	Zinc
3	Packing Nut	Brass
4	Packing	Graphite Non-Asb.
5	Bonnet (1/4" - 1") Bonnet (1 1/4" - 2")	Brass Bronze
6	Stem & Disc Holder	Brass
7	Disc	Buna N
8	Body	Bronze



Size	1/2"	3/4"	1"	1 1/4"	1 1/2"	2"
A	2.22	2.47	2.97	3.56	4.06	4.69
B	2.03	2.38	2.75	3.00	3.72	3.72
C (closed)	3.38	3.50	4.25	4.75	5.50	5.50
Ship Wt. (lbs.)	0.69	0.94	1.76	2.50	3.26	5.32
Qty. Unit Pack	12	6	6	4	2	2
Qty. Per Case	72	60	36	24	12	12