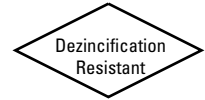


300 PSI WWP Bronze Ball Valves

Fire Protection Valve • Two-Piece Body • Chrome Plated Ball •
Blowout-Proof Stem • Reinforced PTFE Seats

300 PSI/20.7 Bar Non-Shock Cold Water

CONFORMS TO MSS SP-110 • UL LISTED† •
FM APPROVED†



KT-585-70-UL

1/4" - 1" Full Port
Threaded

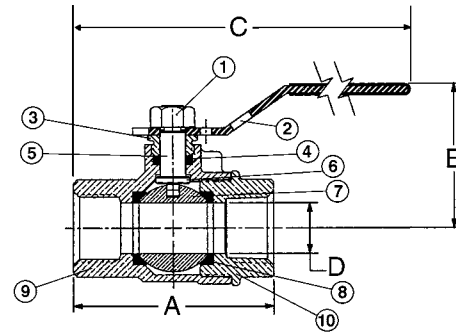
KT-580-70-UL

1/4" - 2" Standard Port
Threaded

MATERIAL LIST

PART	SPECIFICATION
1. Handle Nut	Zinc Plated Steel
2. Handle	Zinc Plated Steel Clear Chromate with Platisol Grip
3. Threaded Pack Gland	Brass ASTM B16
4. Packing	PTFE
5. Stem	Silicon Bronze ASTM B371 Alloy C69430 or ASTM B99 Alloy C65100
6. Thrust Washer	Reinforced PTFE
7. Ball	Brass ASTM B124 Alloy C37700 or ASTM B16 Alloy C36000 with Hard Chrome Plate
8. Seat Ring (2)	Reinforced PTFE
9. Body	Cast Red Bronze ASTM B584 Alloy C84400
10. Body End Piece	Cast Red Bronze ASTM B584 Alloy C84400

1/4" and 3/8" size only has A304 stainless steel grounding washer.



KT-585-70-UL

Full Port
NPT x NPT

KT-580-70-UL

Standard Port
NPT x NPT

DIMENSIONS—WEIGHTS—QUANTITIES

Size	KT-585-70-UL Dimensions								Weight		Box Qty.	Master Ctn. Qty.	
	A	B		C		D Port		Lbs.	Kg.				
In. mm.	In. mm.	In.	mm.	In.	mm.	In.	mm.	In.	mm.				
1/4	8	2.00	51	1.75	44	5.00	127	.38	10	.45	.20	10	100
3/8	10	2.00	51	1.75	44	5.00	127	.38	10	.45	.20	10	100
1/2	15	2.44	62	1.88	48	5.19	132	.50	13	.64	.29	10	100
3/4	20	2.94	75	2.25	57	6.25	159	.75	19	1.33	.60	5	50
1	25	3.34	85	2.38	59	6.44	164	1.00	25	1.79	.81	5	20

Size	KT-580-70-UL Dimensions								Weight		Box Qty.	Master Ctn. Qty.	
	A	B		C		D Port		Lbs.	Kg.				
In. mm.	In. mm.	In.	mm.	In.	mm.	In.	mm.	In.	mm.				
1 1/4	32	3.94	100	2.63	67	6.75	171	1.00	25	2.17	.99	5	20
1 1/2	40	4.31	110	3.00	76	8.91	228	1.25	32	3.27	1.49	5	20
2	50	4.63	117	3.25	83	9.06	230	1.50	38	5.09	2.31	5	10
*2 1/2	65	5.84	148	3.53	90	9.66	245	2.00	51	8.25	3.79	2	6
*3	80	7.09	202	4.41	112	11.53	293	2.50	64	15.65	7.11	1	4

† UL Listed, FM Approved for trim and drain use (UL Subject 258) – 585-70-UL 1/4" thru 1" – 580-70-UL 1 1/4" thru 2".

*2 1/2"-3" supplied as T-580-70-UL subject to AHJ approval.

DO NOT USE FOR NATURAL GAS

