



Section P
Flow Control and Pressure Regulation

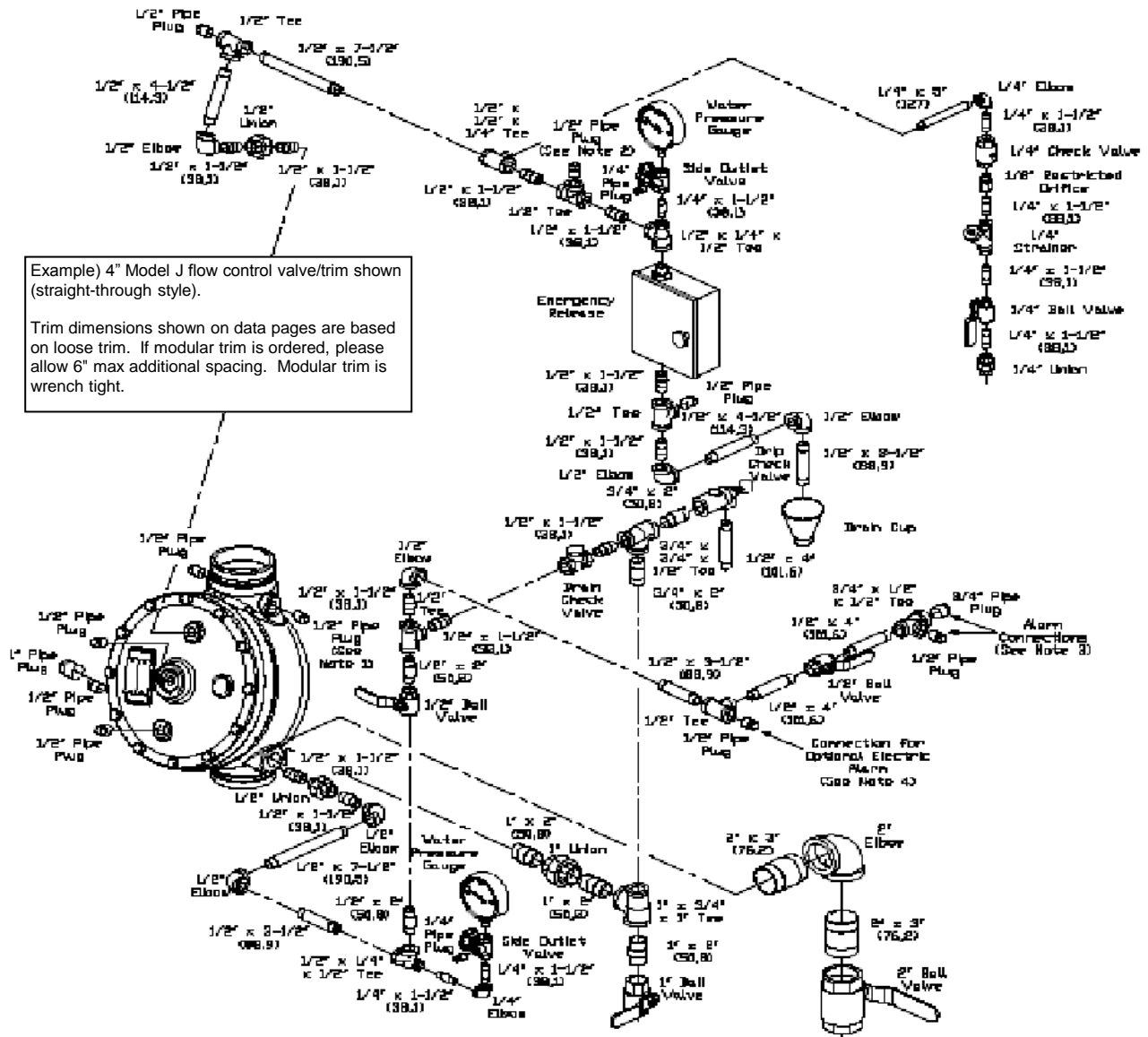
TABLE OF CONTENTS

Flow Control System.....	P-1 – P-2
Pressure Regulation System	P-3
Alarm Devices	P-4
Pilot Operated Pressure Control Valves / Trim	P-5 – P-6
Special Valves and Trim (Halar [®] coated valves, brass trim, etc.)	P-7 – P-9

Notes

1. Refer to Viking technical data pages for complete product specifications. You may print or download technical data by visiting www.vikinggroupinc.com.
2. List prices effective January 12, 2019. Supersedes June 2018 list price book.
3. All sales by Viking are subject to the Terms & Conditions found on the last page of this book.

Flow Control System



Example 4" Model J flow control valve/trim shown (straight-through style).
Trim dimensions shown on data pages are based on loose trim. If modular trim is ordered, please allow 6" max additional spacing. Modular trim is wrench tight.

Model J Flow Control Valve* - STRAIGHT THROUGH

IPG 244	1-1/2"	2"	2-1/2"	3"	4"	6"	8"
Thread X Thread	<u>12130</u> \$3,753.92	<u>12063</u> \$3,874.45	<u>12405</u> \$4,911.91	N/A	N/A	N/A	N/A
Flange X Flange	N/A	N/A	N/A	<u>12016</u> \$4,911.91	<u>11968</u> \$6,189.48	<u>11970</u> \$8,264.37	<u>11993</u> \$17,804.96
Flange X Groove	N/A	N/A	N/A	<u>12020</u> \$4,911.91	<u>11967</u> \$6,189.48	<u>11969</u> \$8,264.37	N/A
Groove X Groove	<u>12129</u> \$3,753.92	<u>12061</u> \$3,874.45	<u>12407</u> \$4,911.91	<u>12024</u> \$4,911.91	<u>11516</u> \$6,189.48	<u>11527</u> \$8,264.37	<u>11019</u> \$15,607.54

Model H Flow Control Valve* - ANGLE STYLE

IPG 244	1-1/2"	2"	3"	4"	6"
Thread X Thread	<u>09894</u> \$1,773.72	<u>05856C</u> \$4,057.21	N/A	N/A	N/A
Flange X Flange	N/A	N/A	<u>05914C</u> \$5,143.61	<u>05911C</u> \$6,481.42	<u>05908C</u> \$8,654.19
Flange X Groove	N/A	N/A	<u>05837C</u> \$5,143.61	<u>05841C</u> \$6,481.42	<u>05458C</u> \$8,654.19

See page P-7-8 for additional valve and trim options, including Halar® coated valves, horizontal trim, and brass trim packages.

* Valve is not included in trim packages. Please order separately. See following page for trim packages and equipment.

Flow Control System

TrimPac® V234	1-1/2"	2"	2-1/2"	3"	4"	6"	8"
Angle/Straight-Through <i>(includes release / trim)</i>	12252C-1 \$4,656.16	12252C-1 \$4,656.16	12252C-1 \$4,656.16	12252C-1 \$4,656.16	12252C-1 \$4,656.16	12252C-1 \$4,656.16	12252C-1 \$4,656.16

TrimPac includes conventional trim, releasing device (solenoid valve), releasing trim, and flexible hose kit.
Drain package for TrimPac must be ordered separately (see below).

Drain Package (IPG V257)

Use with TrimPac® <i>(order separately)</i>	11894-1	11894-2	11894-3	11894-3	11894-4	11894-4	11894-4
	\$507.75	\$410.70	\$465.42	\$465.42	\$597.35	\$597.35	\$597.35

1-1/2"	2"	2-1/2"	3"	4"	6"	8"
--------	----	--------	----	----	----	----

Vertical Trim (Straight Through) - Galvanized (IPG V245)

Loose Trim <i>(incl. accessory pkg-09316)</i>	12418-1 \$2,711.66	12418-1 \$2,711.66	12306-1 \$2,556.25	12306-1 \$2,556.25	11719-1 \$2,712.87	11720-1 \$2,712.87	14708-1 \$3,215.57
Modular Trim <i>(incl. accessory pkg-09316)</i>	12418-1P \$3,011.23	12418-1P \$3,011.23	12306-1P \$2,855.82	12306-1P \$2,855.82	11719-1P \$3,012.41	11720-1P \$3,012.41	14708-1P \$3,516.51

Vertical Trim (Angle Style) - Galvanized (IPG V245)

Loose Trim <i>(incl. accessory pkg-09316)</i>	14702-1 \$2,839.57	14703-1 \$2,617.06	N/A	14704-1 \$2,676.84	14705-1 \$2,840.82	14706-1 \$2,840.82	N/A
Modular Trim <i>(incl. accessory pkg-09316)</i>	14702-1P \$3,148.89	14703-1P \$2,847.28	N/A	14704-1P \$2,986.17	14705-1P \$3,150.15	14706-1P \$3,150.15	N/A

1-1/2"	2"	2-1/2"	3"	4"	6"	8"
--------	----	--------	----	----	----	----

Releasing Devices (IPG V240)

Solenoid Valve	11601 \$925.40	11601 \$925.40	11601 \$925.40	11601 \$925.40	11601 \$925.40	11601 \$925.40	11601 \$925.40
----------------	-------------------	-------------------	-------------------	-------------------	-------------------	-------------------	-------------------

Releasing Trim - Galvanized (IPG V238)

Loose Trim <i>(releasing device not incl.)</i>	10830 \$99.20	10830 \$99.20	10830 \$99.20	10830 \$99.20	10830 \$99.20	10830 \$99.20	10830 \$99.20
Modular Trim <i>(releasing device not incl.)</i>	10830P \$428.22	10830P \$428.22	10830P \$428.22	10830P \$428.22	10830P \$428.22	10830P \$428.22	10830P \$428.22
Loose Trim - DOMESTIC <i>(releasing device not incl.)</i>	10830USA \$132.25	10830USA \$132.25	10830USA \$132.25	10830USA \$132.25	10830USA \$132.25	10830USA \$132.25	10830USA \$132.25

Trim packages include flow control accessory package listed below (p/n 10685) - see package detail below

See page P-7/8 for additional valve and trim options, including Halar® coated valves, horizontal trim, and brass trim packages.

Flow Control Valve Accessory Package (INCLUDED WITH TRIM)		
<i>(all sizes)</i>	10685	\$2,194.85
corrosion resistant	09743	\$3,061.22
Includes:		
- 1/8" Restricted Orifice		
- Emergency Release		
- Drip Check		
- 1/4" / 8mm Check Valve		
- 1/4" / 8mm Strainer		
- Drain Cup		
- 1/2" Ball Valve		
- Drain Check		
IPG V226		

TrimPac® - Air Line Trim		
<i>(not for use with Deluge TrimPac System)</i>		
Tank Mounted	13770	\$1,815.18
Tankless	13771	\$639.99
IPG V234		
TrimPac® - Replacement Hose		
PVC drain hose	12071	\$144.57
IPG V234		
TrimPac® - Riser Mounting Kit		
<i>(use when mounting TrimPac unit to riser)</i>		
Vertical	11900	\$1,003.93
Horizontal	11901	\$1,380.47
IPG V234		

Pressure Regulation

Viking's pressure regulation trim packages include both conventional trim (deluge or flow control) and pilot regulator trim, as well as the speed control needle valve and pilot pressure regulating valve. Pilot regulator trim is no longer available separately. To order a complete pressure regulation system, first order a deluge or flow control valve, then the appropriate pressure regulation trim listed below, and finally your desired releasing device and trim.

Pressure Regulating Trim for DELUGE/PREACTION SYSTEMS (includes conventional trim)

	1-1/2"	2"	2-1/2"	3"	4"	6"	8"
For Straight Through Valves - Vertical/Galvanized Trim (IPG V250)							
<u>Loose Trim</u>	<u>14746-1</u> \$5,958.43	<u>14746-1</u> \$5,958.43	<u>14747-1</u> \$6,020.04	<u>14747-1</u> \$6,020.04	<u>14748-1</u> \$6,296.78	<u>14749-1</u> \$6,286.46	<u>14713-1</u> \$6,295.35
<u>Modular Trim</u>	<u>14746-1P</u> \$6,312.45	<u>14746-1P</u> \$6,312.45	<u>14747-1P</u> \$6,374.67	<u>14747-1P</u> \$6,374.67	<u>14748-1P</u> \$6,654.06	<u>14749-1P</u> \$6,771.40	<u>14713-1P</u> \$6,780.55

For Angle Style Valves - Vertical/Galvanized Trim (IPG V236)

<u>Loose Trim</u>	N/A	<u>14715-1</u> \$6,091.15	N/A	<u>14716-1</u> \$6,111.04	<u>14717-1</u> \$6,323.28	<u>14718-1</u> \$6,517.88	N/A
<u>Modular Trim</u>	N/A	<u>14715-1P</u> P.O.A.	N/A	<u>14716-1P</u> P.O.A.	<u>14717-1P</u> \$6,990.04	<u>14718-1P</u> \$7,009.53	N/A

Pressure Regulating Trim for FLOW CONTROL SYSTEMS (includes conventional trim)

	1-1/2"	2"	2-1/2"	3"	4"	6"	8"
For Straight Through Valves - Vertical/Galvanized Trim (IPG V238)							
<u>Loose Trim</u>	<u>14768-1</u> \$6,131.41	<u>14768-1</u> \$6,131.41	<u>14769-1</u> \$6,194.81	<u>14769-1</u> \$6,194.81	<u>14770-1</u> \$6,479.56	<u>14771-1</u> \$6,468.96	<u>14772-1</u> \$6,478.12
<u>Modular Trim</u>	<u>14768-1P</u> \$6,433.86	<u>14768-1P</u> \$6,433.86	<u>14769-1P</u> \$6,497.27	<u>14769-1P</u> \$6,497.27	<u>14770-1P</u> \$6,782.01	<u>14771-1P</u> \$6,771.40	<u>14772-1P</u> \$6,780.55

For Angle Style Valves - Vertical/Galvanized Trim (IPG V238)



<u>Loose Trim</u>	N/A	<u>14764-1</u> \$6,442.09	N/A	<u>14765-1</u> \$6,463.12	<u>14766-1</u> \$6,659.56	<u>14767-1</u> \$6,707.09	N/A
<u>Modular Trim</u>	N/A	<u>14764-1P</u> P.O.A.	N/A	<u>14765-1P</u> \$6,771.27	<u>14766-1P</u> \$6,967.70	<u>14767-1P</u> P.O.A.	N/A

Releasing Devices (IPG V240)

	1-1/2"	2"	2-1/2"	3"	4"	6"	8"
<u>Solenoid Valve</u>	<u>11601</u> \$925.40	<u>11601</u> \$925.40	<u>11601</u> \$925.40	<u>11601</u> \$925.40	<u>11601</u> \$925.40	<u>11601</u> \$925.40	<u>11601</u> \$925.40

Releasing Trim - Galvanized (IPG V238)

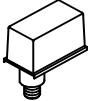

<u>Loose Trim</u> (releasing device not incl.)	<u>10830</u> \$99.20	<u>10830</u> \$99.20	<u>10830</u> \$99.20	<u>10830</u> \$99.20	<u>10830</u> \$99.20	<u>10830</u> \$99.20	<u>10830</u> \$99.20
<u>Modular Trim</u> (releasing device not incl.)	<u>10830P</u> \$428.22	<u>10830P</u> \$428.22	<u>10830P</u> \$428.22	<u>10830P</u> \$428.22	<u>10830P</u> \$428.22	<u>10830P</u> \$428.22	<u>10830P</u> \$428.22

<u>Speed Control Assembly</u> use with conventional trim	IPG V244	<u>Pilot Pressure Regulating Valve (C-2)</u>	<u>Speed Control Valve</u>
		 10799 \$1,203.62	08313 \$397.14
Galvanized 08780 \$1,569.95		IPG V244	IPG V249
Stainless Steel 11192 \$9,238.40			<u>Y Strainer</u>
Brass 11181 \$1,849.77			1/2" / 15mm 01054A \$122.00
			IPG V226

See page P-7/8 for additional valve and trim options, including Halar® coated valves, horizontal trim, and brass trim packages.

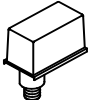

Alarm Devices

Alarm Pressure Switch - SR020

<u>Adjustable Range (4-20 psi)</u> 1/2" / DN50 Single SPDT PS101A \$221.55 Dual SPDT PS102A \$266.52 * Manufactured by Potter			<u>Explosion Proof</u> Dual SPDT PS10-EX \$1,388.36 Dual SPDT PS40EX \$1,389.36 * Cenelec approved		
					
<u>Pressure Adj Access Key</u> 10600 \$27.18			<u>Cover Removal Key</u> 10601 \$27.18		

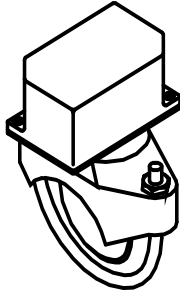
* Appropriate hex keys included with switches.

Pressure Supervisory Switch (Air, Nitrogen, Water) - IPG SR020


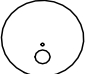
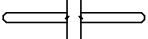


<u>Adjustable Range (10-175 psi)</u> 1/2" / DN50 Single SPDT PS401A \$221.55 Dual SPDT PS402A \$266.52 * Manufactured by Potter			<u>Explosion Proof</u> Dual SPDT 10379 \$1,790.78 * Cenelec approved		
					
<u>Cover Tamper Switch Kit</u> 09601 \$139.00			<u>Pressure Adj Access Key</u> 10600 \$27.18		
			<u>Cover Removal Key</u> 10601 \$27.18		

* Appropriate hex keys included with switches.

Flow Switch - SR010

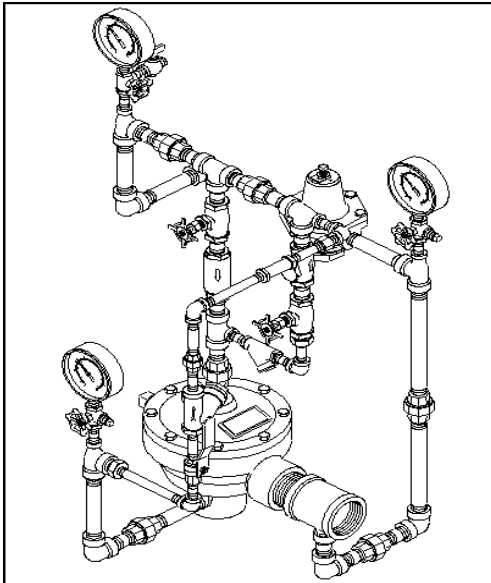
<u>Waterflow Indicators</u> (adjustable retard up to 120 sec. - 2 SPDT contacts) Model VSR			
1-2" / DN40	VSRF0100	\$318.01	
2" / DN50	VSRF0200	\$343.06	
2½" / DN65	VSRF0250	\$343.06	
3" / DN80	VSRF0300	\$343.06	
3½" / DN90	VSRF0350	\$343.06	
4" / DN100	VSRF0400	\$343.06	
5" / DN125	VSRF0500	\$343.06	
6" / DN150	VSRF0600	\$343.06	
8" / DN200	VSRF0800	\$383.75	

Water Motor Alarm and Accessories - IPG V226

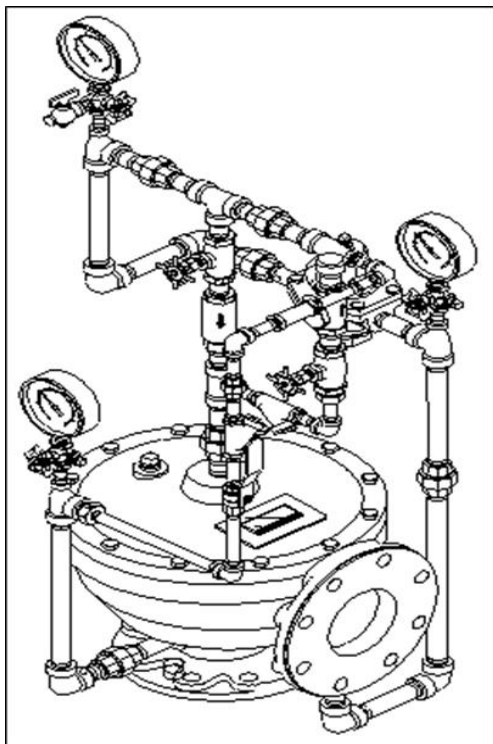
<u>Water Motor Alarm</u>  Model F-2 07862 \$617.69		<u>Closure Plate</u>  05820B \$126.07	
<u>Adjustable Shaft</u> (wall thickness up to 30-1/4 in / 768 mm)  03312B \$120.96		<u>Alarm Line Y Strainer</u>  ¾" (DN20) 01489A \$183.93	
<u>Extension Cup</u>  05957B \$100.86			

Pilot Operated Pressure Control Valves

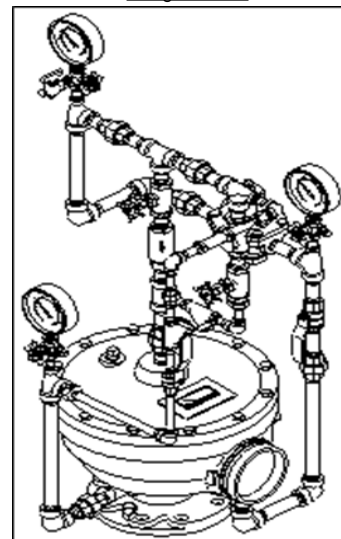
Threaded



Flange/Flange



Flange/Groove



DESCRIPTION	NOMINAL SIZE	PART NUMBER	LIST PRICE (each)	
PILOT OPERATED PRESSURE CONTROL VALVES Includes Trim	Use with Angle Style Valve			
	Model A-2 Galvanized Model A-3 Brass Model A-4 Stainless Steel			
	Threaded	Model A-2 2" / DN50	10793	\$11,462
	Flange/Flange	Model A-2 4" / DN100	10795	\$11,462
		6" / DN150	10807	\$13,522
	PN10/16	DN100	10795FFPN1016	\$11,462
		DN150	10807FFPN1016	\$13,522
	PN10/16	Model A-3 4" / DN100	10803	\$22,920
		6" / DN150	11476	\$27,469
	PN10/16	DN100	10803FFPN1016	\$22,920
DN150		11476FFPN1016	\$27,469	
Flange/Groove	Model A-2 4" / DN100	10794	\$11,462	
	6" / DN150	10806	\$13,522	
IPG V244	Model A-3 4" / DN100	10802	\$22,720	
	6" / DN150	11475	\$27,262	

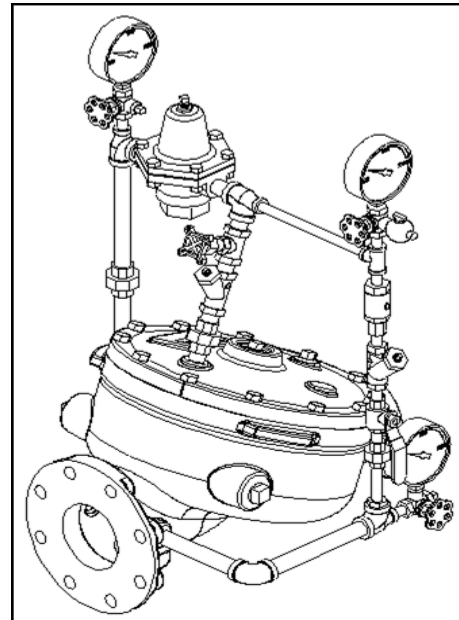
¹ Not UL Listed. Use for Deluge Applications Only.

Pilot Operated Pressure Control Valves

DESCRIPTION	Nominal Size	Part No.	List Price
Pilot Operated Pressure Control Valves	Use with Straight Through Valves		
Includes trim UL Listed/FM Approved			
Model B-1			
Vertical	Galvanized		
Threaded	2" / DN50	12793	\$5,346
Flange/Flange	4" / DN100 6" / DN150 8" / DN200	12802 12805 12807	\$12,086 \$15,539 \$19,494
Flange/Groove	4" / DN100 6" / DN150	12801 12804	\$12,061 \$15,385
Groove/Groove	1½" / DN40 2" / DN50	12792 12794	\$5,279 \$5,346
IPG V238	4" / DN100 6" / DN150 8" / DN200	12800 12803 12806	\$7,761 \$15,292 \$18,631
Horizontal	Galvanized		
Threaded	1½" / DN40 2" / DN50	12774 12776	\$5,268 \$5,336
Flange/Flange	4" / DN100 6" / DN150 8" / DN200	12785 12788 12790	\$7,004 \$15,542 \$19,498
Flange/Groove	4" / DN100 6" / DN150	12784 12787	\$7,397 \$15,388
Groove/Groove	1½" / DN40 2" / DN50 4" / DN100 6" / DN150 8" / DN200	12775 12777 12783 12786 12789	\$5,268 \$5,336 \$7,779 \$15,295 \$18,635
IPG V238			

DESCRIPTION	Nominal Size	Part No.	List Price
Pilot Operated Pressure Control Valves	Use with Straight Through Valves		
Halar® Coated (includes trim) UL Listed/FM Approved			
Model B-3			
Vertical	Brass		
Flange/Flange	4" / DN100 6" / DN150 8" / DN200	13540 13543 13545	\$37,177 \$47,679 \$59,468
Flange/Groove	4" / DN100 6" / DN150	13539 13542	\$37,102 \$47,216
Groove/Groove	1½" / DN40 2" / DN50 4" / DN100 6" / DN150 8" / DN200	13532 13533 13538 13541 13544	\$15,874 \$16,077 \$38,254 \$46,934 \$56,866
IPG V239			
Horizontal	Brass		
Flange/Flange	4" / DN100 6" / DN150 8" / DN200	13526 13529 13531	\$22,368 \$47,803 \$59,769
Flange/Groove	4" / DN100 6" / DN150	13525 13528	\$22,293 \$47,340
Groove/Groove	1½" / DN40 2" / DN50 4" / DN100 6" / DN150 8" / DN200	13518 13519 13524 13527 13530	\$15,906 \$16,110 \$23,445 \$47,058 \$57,167
IPG V239			

**Model B-1 - Horizontal
Flange/Flange**



FLOW CONTROL - Special Valves and Trim

Halar® Coated Flow Control Valves (Model J-2 / Model H-2)

Straight-Through (Model J-2)

IPG V244	1-1/2"	2"	2-1/2"	3"	4"	6"	8"
Thread X Thread	N/A	N/A	<u>12406Q/B</u> \$7,430.25	N/A	N/A	N/A	N/A
Flange X Flange	N/A	N/A	N/A	<u>12017Q/B</u> \$7,430.25	<u>11977Q/B</u> \$9,215.60	<u>11979Q/B</u> \$12,274.11	<u>11994Q/B</u> \$24,287.20
Flange X Groove	N/A	N/A	N/A	<u>12021Q/B</u> \$7,430.25	<u>11976Q/B</u> \$9,215.60	<u>11978Q/B</u> \$12,274.11	N/A
Groove X Groove	<u>12131Q/B</u> \$5,826.90	<u>12062Q/B</u> \$5,842.69	<u>12408Q/B</u> \$7,430.25	<u>12025Q/B</u> \$7,430.25	<u>11517Q/B</u> \$9,215.60	<u>11528Q/B</u> \$12,274.11	<u>11119Q/B</u> \$23,652.22

Angle Style (Model H-2)

IPG V244	1-1/2"	2"	2-1/2"	3"	4"	6"	8"
Thread X Thread	N/A	N/A	N/A	N/A	N/A	N/A	N/A
Flange X Flange	N/A	N/A	N/A	<u>08366Q/B</u> \$7,780.76	<u>08367Q/B</u> \$9,650.32	<u>08368Q/B</u> \$12,853.06	N/A
Flange X Groove	N/A	N/A	N/A	<u>11207Q/B</u> \$7,780.76	<u>11208Q/B</u> \$9,650.32	<u>11209Q/B</u> \$12,853.06	N/A

HORIZONTAL TRIM - Flow Control

Galvanized (use with straight through valves)

IPG V245	1-1/2"	2"	2-1/2"	3"	4"	6"	8"
<u>Loose Trim</u> (incl. accessory pkg-09316)	<u>12419-1</u> \$2,711.66	<u>12419-1</u> \$2,711.66	<u>12307-1</u> \$2,556.25	<u>12307-1</u> \$2,556.25	<u>11941-1</u> \$2,712.87	<u>11942-1</u> \$2,712.87	<u>14707-1</u> \$3,215.57
<u>Modular Trim</u> (incl. accessory pkg-09316)	<u>12419-1P</u> \$2,988.52	<u>12419-1P</u> \$2,988.52	<u>12307-1P</u> P.O.A.	<u>12307-1P</u> P.O.A.	<u>11941-1P</u> \$3,012.41	<u>11942-1P</u> \$3,012.41	<u>14707-1P</u> \$3,516.51

BRASS TRIMS - Flow Control

Angle Style Valves

IPG V246	1-1/2"	2"	2-1/2"	3"	4"	6"	8"
<u>Loose Trim</u> (incl. accessory pkg-09316)	<u>14702-2</u> \$4,436.23	<u>14703-2</u> \$4,134.25	N/A	<u>14704-2</u> \$4,246.31	<u>14705-2</u> \$4,647.16	<u>14706-2</u> \$4,697.68	N/A
<u>Modular Trim</u> (incl. accessory pkg-09316)	<u>14702-2P</u> P.O.A.	<u>14703-2P</u> P.O.A.	N/A	<u>14704-2P</u> P.O.A.	<u>14705-2P</u> P.O.A.	<u>14706-2P</u> P.O.A.	N/A

Straight Through Valves - VERTICAL

IPG V246	1-1/2"	2"	2-1/2"	3"	4"	6"	8"
<u>Loose Trim</u> (incl. accessory pkg-09316)	<u>12418-2</u> \$4,236.40	<u>12418-2</u> \$4,236.40	<u>12306-2</u> \$4,055.06	<u>12306-2</u> \$4,055.06	<u>11719-2</u> \$4,437.82	<u>11720-2</u> \$4,486.09	<u>14708-2</u> \$5,442.88
<u>Modular Trim</u> (incl. accessory pkg-09316)	<u>12418-2P</u> \$4,544.62	<u>12418-2P</u> \$4,544.62	<u>12306-2P</u> \$4,363.25	<u>12306-2P</u> \$4,363.25	<u>11719-2P</u> \$4,746.02	<u>11720-2P</u> \$4,794.29	<u>14708-2P</u> \$5,751.07

Straight Through Valves - HORIZONTAL

IPG V246	1-1/2"	2"	2-1/2"	3"	4"	6"	8"
<u>Loose Trim</u> (incl. accessory pkg-09316)	<u>12419-2</u> \$4,236.40	<u>12419-2</u> \$4,236.40	<u>12307-2</u> \$4,055.06	<u>12307-2</u> \$4,055.06	<u>11941-2</u> \$4,437.82	<u>11942-2</u> \$4,486.09	<u>14707-2</u> \$5,442.88
<u>Modular Trim</u> (incl. accessory pkg-09316)	<u>12419-2P</u> P.O.A.	<u>12419-2P</u> P.O.A.	<u>12307-2P</u> P.O.A.	<u>12307-2P</u> P.O.A.	<u>11941-2P</u> \$4,746.02	<u>11942-2P</u> \$4,794.29	<u>14707-2P</u> \$5,751.07

Special Valves and Trim

BRASS - Releasing Trims

IPG V239	Pneumatic	Electric Pneumatic	Electric	Pneumatic Pneumatic
<u>Loose Trim</u> <i>(releasing device not incl.)</i>	<u>10811</u> \$259.37	<u>12661-2</u> \$216.51	<u>10832</u> \$291.85	<u>12662-2</u> \$1,381.42
<u>Modular Trim</u> <i>(releasing device not incl.)</i>	<u>10811P</u> \$567.51	<u>126612P</u> P.O.A.	<u>10832P</u> P.O.A.	<u>126622P</u> P.O.A.

PRESSURE REGULATION - Special Trims

Viking's new pressure regulation trim packages include both conventional trim (deluge or flow control) and pilot regulator trim, as well as the speed control needle valve and pilot pressure regulating valve. Pilot regulator trim is no longer available separately. To order a complete pressure regulation system, first order a deluge or flow control valve, then the appropriate pressure regulation trim listed below, and finally your desired releasing device and trim.

HORIZONTAL TRIM - Pressure Regulating Trim for DELUGE/PREACTION SYSTEMS (includes conventional trim)

	1-1/2"	2"	2-1/2"	3"	4"	6"	8"
For Straight Through Valves - Horizontal/Galvanized Trim (IPG V36)							
Loose Trim	<u>14750-1</u> \$5,945.07	<u>14750-1</u> \$5,945.07	<u>14751-1</u> \$6,016.11	<u>14751-1</u> \$6,016.11	<u>14752-1</u> \$6,248.53	<u>14753-1</u> \$6,200.48	<u>14714-1</u> \$6,278.71
Modular Trim	<u>14750-1P</u> P.O.A.	<u>14750-1P</u> P.O.A.	<u>14751-1P</u> P.O.A.	<u>14751-1P</u> P.O.A.	<u>14752-1P</u> \$6,542.45	<u>14753-1P</u> \$6,494.39	<u>14714-1P</u> P.O.A.

BRASS TRIMS - Pressure Regulating Trim for DELUGE/PREACTION SYSTEMS (includes conventional trim)

	1-1/2"	2"	2-1/2"	3"	4"	6"	8"
For Straight Through Valves - Vertical/Brass Trim (IPG V237)							
Loose Trim	<u>14746-2</u> \$7,278.19	<u>14746-2</u> \$7,278.19	<u>14747-2</u> \$7,495.97	<u>14747-2</u> \$7,495.97	<u>14748-2</u> \$8,035.26	<u>14749-2</u> \$7,995.19	<u>14713-2</u> \$7,994.53
Modular Trim	<u>14746-2P</u> \$7,580.58	<u>14746-2P</u> \$7,580.58	<u>14747-2P</u> \$7,798.37	<u>14747-2P</u> \$7,798.37	<u>14748-2P</u> \$8,337.64	<u>14749-2P</u> P.O.A.	<u>14713-2P</u> P.O.A.

For Angle Style Valves - Vertical/Brass Trim (IPG V237)

Loose Trim	N/A	<u>14715-2</u> \$7,745.03	N/A	<u>14716-2</u> \$7,718.18	<u>14717-2</u> \$8,199.74	<u>14718-2</u> \$8,303.51	N/A
Modular Trim	N/A	<u>14715-2P</u> P.O.A.	N/A	<u>14716-2P</u> \$7,811.97	<u>14717-2P</u> P.O.A.	<u>14718-2P</u> P.O.A.	N/A

BRASS TRIMS - Pressure Regulating Trim for FLOW CONTROL SYSTEMS (includes conventional trim)

	1-1/2"	2"	2-1/2"	3"	4"	6"	8"
For Straight Through Valves - Vertical/Brass Trim (IPG V239)							
Loose Trim	<u>14768-2</u> \$7,418.16	<u>14768-2</u> \$7,418.16	<u>14769-2</u> \$7,640.13	<u>14769-2</u> \$7,640.13	<u>14770-2</u> \$8,189.78	<u>14771-2</u> \$8,148.93	<u>14772-2</u> \$8,148.27
Modular Trim	<u>14768-2P</u> \$7,726.37	<u>14768-2P</u> \$7,726.37	<u>14769-2P</u> \$7,916.98	<u>14769-2P</u> \$7,916.98	<u>14770-2P</u> \$8,497.97	<u>14771-2P</u> \$8,299.07	<u>14772-2P</u> P.O.A.

For Angle Style Valves - Vertical/Brass Trim (IPG V239)

Loose Trim	N/A	<u>14764-2</u> \$7,893.96	N/A	<u>14765-2</u> \$7,866.62	<u>14766-2</u> \$8,357.43	<u>14767-2</u> \$8,463.21	N/A
Modular Trim	N/A	<u>14764-2P</u> P.O.A.	N/A	<u>14765-2P</u> P.O.A.	<u>14766-2P</u> P.O.A.	<u>14767-2P</u> P.O.A.	N/A

DOMESTIC¹ BRASS TRIMS - Pressure Regulating Trim for FLOW CONTROL SYSTEMS (includes conventional trim)

	1-1/2"	2"	2-1/2"	3"	4"	6"	8"
For Straight Through Valves - Vertical/Brass Trim (IPG V239)							
Loose Trim	N/A	N/A	N/A	N/A	<u>14770-2USA</u> \$10,919.71	<u>14771-2USA</u> \$10,865.24	<u>14772-2USA</u> \$10,864.36

(1) Meets sourcing requirements of the Buy American Act, American Reinvestment and Recovery Act, and the Buy American Law. Contact customer service for availability.