

# Malleable Threaded Fittings

■ **Dimensions:** ANSI B16.3 CLASS 150

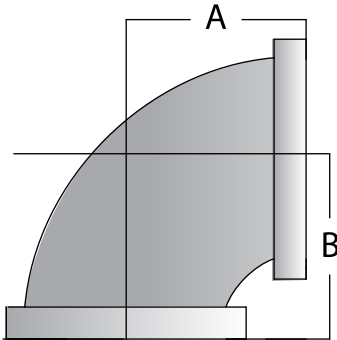
■ **Coating:** Black- none; Galvanized- Hot Dip per ASTM A153

■ **Material:** Malleable iron per ASTM A197

■ **Threads:** Pipe Threads, General Purpose ASME B1.20.1

Description

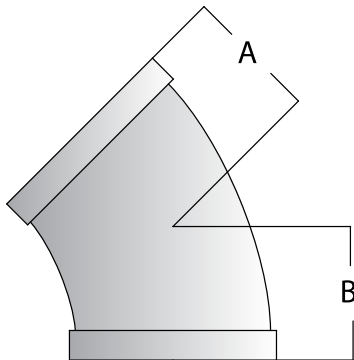
## Malleable Threaded 90



| NOM SIZE | ITEM CODE |            | DIMENSION |      | ITEM WEIGHT |
|----------|-----------|------------|-----------|------|-------------|
|          | BLACK     | GALV       | A         | B    |             |
| 3/8"     | 1M90B0303 | 1M90B0303G | 0.95      | 0.95 | 0.17        |
| 1/2"     | 1M90B0404 | 1M90B0404G | 1.12      | 1.12 | 0.30        |
| 3/4"     | 1M90B0505 | 1M90B0505G | 1.31      | 1.31 | 0.45        |
| 1"       | 1M90B0606 | 1M90B0606G | 1.50      | 1.50 | 0.73        |
| 1 1/4"   | 1M90B0707 | 1M90B0707G | 1.75      | 1.75 | 0.97        |
| 1 1/2"   | 1M90B0808 | 1M90B0808G | 1.94      | 1.94 | 1.30        |
| 2"       | 1M90B0909 | 1M90B0909G | 2.25      | 2.25 | 2.06        |
| 2 1/2"   | 1M90B1010 | 1M90B1010G | 2.70      | 2.70 | 3.55        |
| 3"       | 1M90B1111 | 1M90B1111G | 3.08      | 3.08 | 5.46        |
| 4"       | 1M90B1212 | 1M90B1212G | 3.79      | 3.79 | 8.95        |

Description

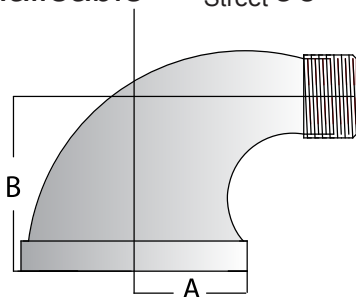
## Malleable Threaded 45



| NOM SIZE | ITEM CODE |            | DIMENSION |      | ITEM WEIGHT |
|----------|-----------|------------|-----------|------|-------------|
|          | BLACK     | GALV       | A         | B    |             |
| 3/8"     | 1M45B0303 | 1M45B0303G | 0.80      | 0.80 | 0.16        |
| 1/2"     | 1M45B0404 | 1M45B0404G | 0.88      | 0.88 | 0.22        |
| 3/4"     | 1M45B0505 | 1M45B0505G | 0.98      | 0.98 | 0.37        |
| 1"       | 1M45B0606 | 1M45B0606G | 1.12      | 1.12 | 0.54        |
| 1 1/4"   | 1M45B0707 | 1M45B0707G | 1.29      | 1.29 | 0.86        |
| 1 1/2"   | 1M45B0808 | 1M45B0808G | 1.43      | 1.43 | 1.13        |
| 2"       | 1M45B0909 | 1M45B0909G | 1.68      | 1.68 | 1.79        |
| 2 1/2"   | 1M45B1010 | 1M45B1010G | 1.95      | 1.95 | 2.78        |
| 3"       | 1M45B1111 | 1M45B1111G | 2.17      | 2.17 | 4.48        |
| 4"       | 1M45B1212 | 1M45B1212G | 2.61      | 2.61 | 7.40        |

Description

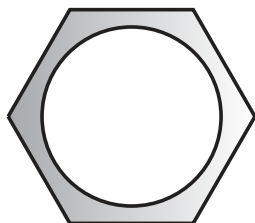
## Malleable Threaded Street 90



| NOM SIZE | ITEM CODE |            | DIMENSION |      | ITEM WEIGHT |
|----------|-----------|------------|-----------|------|-------------|
|          | BLACK     | GALV       | A         | B    |             |
| 3/8"     | 1M90S0303 | 1M90S0303G | 0.80      | 1.00 | 0.17        |
| 1/2"     | 1M90S0404 | 1M90S0404G | 0.88      | 1.13 | 0.24        |
| 3/4"     | 1M90S0505 | 1M90S0505G | 1.00      | 1.31 | 0.41        |
| 1"       | 1M90S0606 | 1M90S0606G | 1.23      | 1.44 | 0.62        |
| 1 1/4"   | 1M90S0707 | 1M90S0707G | 1.31      | 1.69 | 1.09        |
| 1 1/2"   | 1M90S0808 | 1M90S0808G | 1.44      | 1.88 | 1.44        |
| 2"       | 1M90S0909 | 1M90S0909G | 1.69      | 2.25 | 2.85        |

Description

## Malleable Hex Nut



| NOM SIZE | ITEM CODE |         | ITEM WEIGHT |
|----------|-----------|---------|-------------|
|          | BLACK     | GALV    |             |
| 1/2"     | 1MLN04    | 1MLN04G | 0.12        |
| 3/4"     | 1MLN05    | 1MLN05G | 0.22        |
| 1"       | 1MLN06    | 1MLN06G | 0.38        |
| 1 1/4"   | 1MLN07    | 1MLN07G | 0.58        |
| 1 1/2"   | 1MLN08    | 1MLN08G | 0.73        |
| 2"       | 1MLN09    | 1MLN09G | 1.13        |