



UNITED BRASS WORKS, INC.

714 S. Main St., Randleman, NC 27317

Tel: 800-334-3035 Fax: 800-498-4696 www.ubw.com



Model 200 Strainer With Steel Plug 200WSP @ 406° Max 400 WOG 100% Pressure Tested Threaded Ends

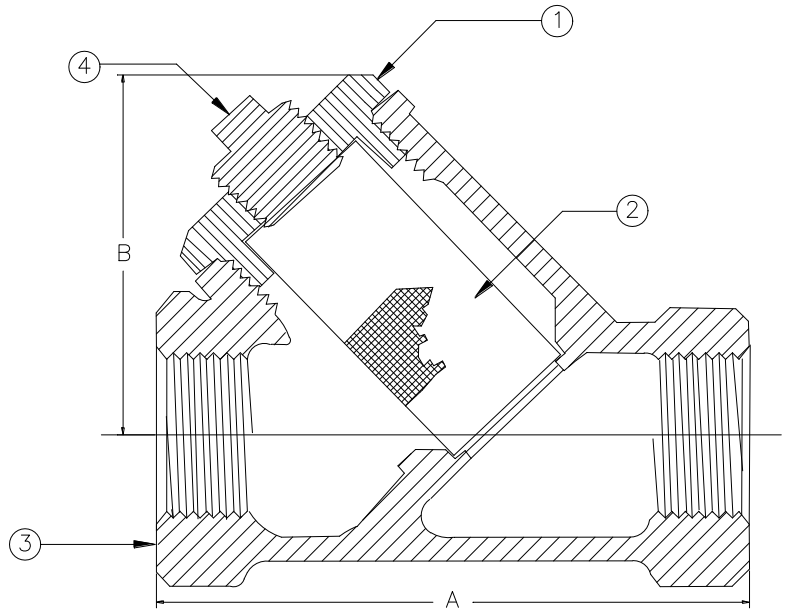
All Available in 24, 50 or 100 Mesh screen sizes.

Contains Lead. Not Intended for Use in Potable Water Systems

CRN OCO7135.2C

MATERIAL LIST

NO.	DESCRIPTION	MATERIAL
1	Cap (1/4" - 1") Cap (1 1/4" - 2")	Brass ASTM B16 Bronze ASTM B62
2	Screen	Stainless Steel ASTM E437
3	Body	Bronze ASTM B62
4	Plug	Stainless Steel ASTM A108



Size	1/4"	3/8"	1/2"	3/4"	1"	1 1/4"	1 1/2"	2"
A	2.73	2.72	2.84	3.41	3.94	5.41	6.81	8.19
B	1.87	1.87	1.81	2.09	2.86	4.13	4.31	5.00
Ship Wgt. (lbs)	0.75	0.78	0.81	1.36	2.39	2.39	5.78	10.13
Qty. Per Ctn.	12	12	12	12	6	6	4	2