

SECTION 6 STANDARD CAST IRON PIPE FITTINGS CLASS 125, 250



The iron from which Class 125 cast iron fittings are made is held to strict formula by careful chemical analysis and control.

Tapping is done on the most modern machines. All tappings are to USA Standards for iron pipe threads. Straightness and correct depth of threads is assured through continuous capable inspection, by careful trained inspectors.

Every fitting is hand sorted and inspected to eliminate defective castings.

WARD fittings are made to specifications published as American National Standards for pipe fittings.

A chamfer is cut or cast in all openings, permitting easy entrance of pipe and preventing damage to the first thread in handling and threading.

Because of the close attention paid to formula control and the use of modern precision equipment we are able to produce castings of rugged strength and the ability to make a water tight seal.

NPS	O.D. of Band (min)	Thread Length (min)	Metal Thickness (min)
1/4	0.97	0.36	0.11
3/8	1.16	0.40	0.12
1/2	1.38	0.47	0.13
3/4	1.67	0.54	0.15
1	1.99	0.62	0.17
1 1/4	2.43	0.71	0.18
1 1/2	2.72	0.74	0.20
2	3.32	0.79	0.22
2 1/2	3.90	0.96	0.24
3	4.66	1.02	0.26
3 1/2	5.24	1.07	0.28
4	5.83	1.12	0.31

TEMPERATURE-PRESSURE RATING

Temp F°	PSI	
	CLASS 125	CLASS 250
-20 TO 150	175	400
200	165	370
250	150	340
300	140	310
350	125 (Note1)	300
400	—	250 (Note 2)

Notes:

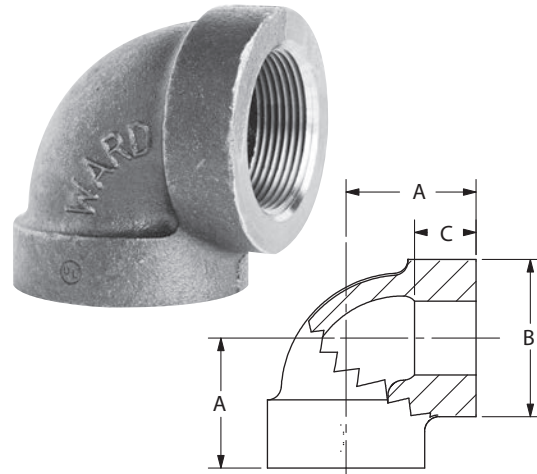
1) Permissible for service temperature up to 360° F reflecting temperature of saturated steam at 125 psi.

2) Permissible for service temperature up to 406° F reflecting temperature of saturated steam at 250 psig.

Material: ASTM A126 Class A Minimum
Dimensions: ANSI/ASME B16.4
 ANSI/ASME B1.20.1
Pressure Ratings: ANSI/ASME B16.4
Coatings: ASTM A153
 ASTM B633
Additional Specifications: UL, ULC, FM, NSF 61 and NSF 61 Annex G where applicable

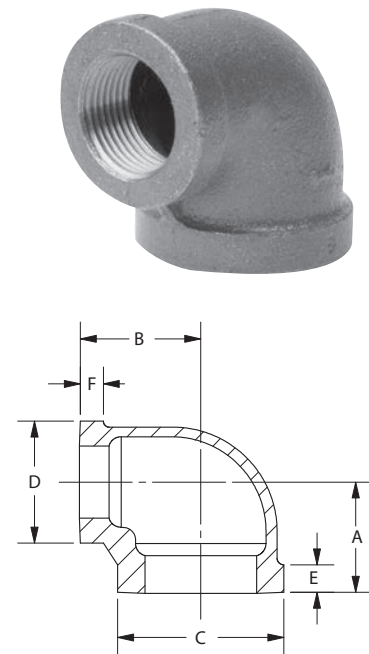
CAST IRON 90° STRAIGHT ELL CLASS 125

NPS	Center to End A	Outside Dia. of Band B (min)	Thread Length C (min)	Take Out
1/4	0.81	0.93	0.32	0.408
3/8	0.95	1.12	0.36	0.5
1/2	1.12	1.34	0.43	0.58
3/4	1.31	1.63	0.50	0.76
1	1.50	1.95	0.58	0.81
1 1/4	1.75	2.39	0.67	1.04
1 1/2	1.94	2.68	0.70	1.21
2	2.25	3.28	0.75	1.49
2 1/2	2.70	3.86	0.92	1.56
3	3.08	4.62	0.98	1.88
3 1/2	3.42	5.20	1.03	2.17
4	3.79	5.79	1.08	2.49
5	—	—	—	—
6	—	—	—	—
8	—	—	—	—



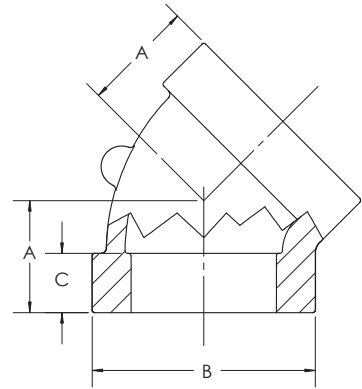
CAST IRON 90° REDUCING ELL CLASS 125

NPS	Center to End A	Center to End B	Outside Dia. of Band C (min)	Outside Dia. of Band D (min)	Length of Threads E (min)	Length of Threads F (min)	Take Out	Take Out
1/2 x 3/8	—	—	—	—	—	—	—	—
1/2 x 1/4	—	—	—	—	—	—	—	—
3/4 x 1/2	1.20	1.22	1.63	1.34	0.50	0.43	0.6	0.68
*3/4 x 3/8	1.20	1.22	1.63	1.12	0.50	0.36	0.6	0.81
1 x 3/4	1.37	1.45	1.95	1.63	0.58	0.50	0.6	0.90
1 x 1/2	1.26	1.36	1.95	1.34	0.58	0.43	0.5	0.82
1 1/4 x 1	1.58	1.67	2.39	1.95	0.67	0.58	0.8	0.98
1 1/4 x 3/4	1.45	1.62	2.39	1.63	0.67	0.50	0.7	1.07
1 1/4 x 1/2	1.34	1.53	2.39	1.34	0.67	0.43	0.6	0.99
1 1/2 x 1 1/4	1.82	1.88	2.68	2.39	0.70	0.67	1.09	1.17
1 1/2 x 1	1.65	1.80	2.68	1.95	0.70	0.58	0.92	1.11
1 1/2 x 3/4	1.52	1.75	2.68	1.63	0.70	0.50	0.79	1.20
1 1/2 x 1/2	1.41	1.66	2.68	1.34	0.70	0.43	0.79	1.21
2 x 1 1/2	2.02	2.16	3.28	2.68	0.75	0.70	1.26	1.43
2 x 1 1/4	1.90	2.10	3.28	2.39	0.75	0.67	1.14	1.39
2 x 1	1.73	2.02	3.28	1.95	0.75	0.58	0.97	1.33
2 x 3/4	1.60	1.97	3.28	1.63	0.75	0.50	0.84	1.42
2 x 1/2	1.60	1.97	3.28	1.34	0.75	0.43	0.84	1.43
2 1/2 x 2	2.39	2.60	3.86	3.28	0.92	0.75	1.25	1.84
2 1/2 x 1 1/2	2.16	2.51	3.86	2.68	0.92	0.70	1.02	1.78
2 1/2 x 1 1/4	2.04	2.45	3.86	2.39	0.92	0.67	0.90	1.74
2 1/2 x 1	1.87	2.37	3.86	1.95	0.92	0.58	0.73	1.68
*2 1/2 x 3/4	1.87	2.37	3.86	1.63	0.92	0.50	0.73	1.82
3 x 2 1/2	2.83	2.99	4.62	3.86	0.98	0.92	1.63	1.85
3 x 2	2.52	2.89	4.62	3.28	0.98	0.75	1.32	2.13
3 x 1 1/2	2.29	2.80	4.62	2.68	0.98	0.70	1.32	2.16
3 x 1 1/4	2.17	2.74	4.62	2.39	0.98	0.67	0.97	2.03
*3 x 1	2.17	2.74	4.62	1.95	0.98	0.58	0.97	2.05
3 1/2 x 3	—	—	—	—	—	—	—	—
4 x 3 1/2	3.54	3.69	5.79	5.20	1.08	1.03	2.24	2.44
4 x 3	3.30	3.60	5.79	4.62	1.08	0.98	2.00	2.40
4 x 2 1/2	3.05	3.51	5.79	3.86	1.08	0.92	2.00	2.46
4 x 2	2.74	3.41	5.79	3.28	1.08	0.75	1.44	2.65
*4 x 1 1/2	2.74	3.41	5.79	2.68	1.08	0.70	1.44	2.68
5 x 4	—	—	—	—	—	—	—	—
6 x 4	—	—	—	—	—	—	—	—
6 x 3	—	—	—	—	—	—	—	—



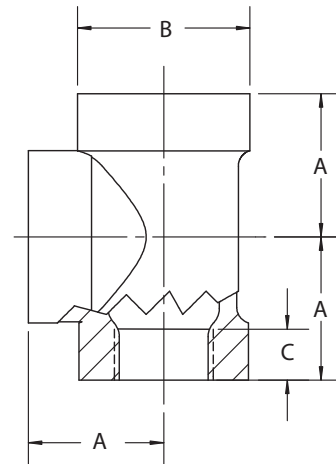
CAST IRON 45° ELL CLASS 125

NPS	Center to End A	Outside Dia. of Band B (min)	Length of Threads C (min)	Take Out
1/4	—	—	—	—
3/8	—	—	—	—
1/2	0.88	1.34	0.43	0.34
3/4	0.98	1.63	0.50	0.43
1	1.12	1.95	0.58	0.43
1 1/4	1.29	2.39	0.67	0.58
1 1/2	1.43	2.68	0.70	0.70
2	1.68	3.28	0.75	0.92
2 1/2	1.95	3.86	0.92	0.81
3	2.17	4.62	0.98	0.97
3 1/2	—	—	—	—
4	2.61	5.79	1.08	1.31
5	—	—	—	—
6	—	—	—	—

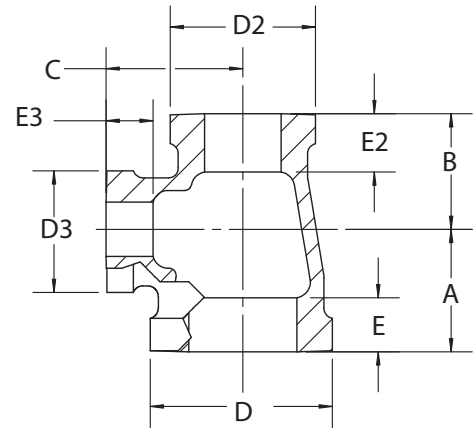


CAST IRON STRAIGHT TEE CLASS 125

NPS	Center to End A	Outside Dia. of Band B (min)	Length of Threads C (min)	Take Out
1/4	—	—	—	—
3/8	0.95	1.12	0.36	0.54
1/2	1.12	1.34	0.43	0.58
3/4	1.31	1.63	0.50	0.76
1	1.50	1.95	0.58	0.81
1 1/4	1.75	2.39	0.67	1.04
1 1/2	1.94	2.68	0.70	1.21
2	2.25	3.28	0.75	1.49
2 1/2	2.70	3.86	0.92	1.56
3	3.08	4.62	0.98	1.88
3 1/2	3.42	5.20	1.03	2.17
4	3.79	5.79	1.08	2.49
5	—	—	—	—
6	—	—	—	—



CAST IRON REDUCING TEES CLASS 125



NPS	Center to End A	Center to End B	Center to End C	Outside Dia. of Band D (min)	Outside Dia. of Band D2 (min)	Outside Dia. of Band D3 (min)	Length of Threads E (min)	Length of Threads E2 (min)	Length of Threads E3 (min)	Take Out	Take Out	Take Out
1/2 x 1/2 x 3/8	1.04	1.04	1.03	1.34	1.34	1.12	0.43	0.43	0.36	0.50	0.50	0.62
1/2 x 1/2 x 1/4	—	—	—	—	—	—	—	—	—	—	—	—
*1/2 x 3/8 x 1/2	1.12	1.12	1.12	1.34	1.12	1.34	0.43	0.36	0.43	0.58	0.71	0.58
*1/2 x 3/8 x 3/8	1.12	1.12	1.12	1.34	1.12	1.12	0.43	0.36	0.36	0.58	0.71	0.71
*3/8 x 3/8 x 1/2	1.12	1.12	1.12	1.12	1.12	1.34	0.36	0.36	0.43	0.71	0.71	0.58
3/4 x 3/4 x 1/2	1.20	1.20	1.22	1.63	1.63	1.34	0.50	0.50	0.43	0.65	0.65	0.68
3/4 x 3/4 x 3/8	1.12	1.12	1.13	1.63	1.63	1.12	0.50	0.50	0.36	0.57	0.57	0.72
3/4 x 3/4 x 1/4	—	—	—	—	—	—	—	—	—	—	—	—
3/4 x 1/2 x 3/4	1.31	1.22	1.31	1.63	1.34	1.63	0.50	0.43	0.50	0.76	0.68	0.76
3/4 x 1/2 x 1/2	1.20	1.12	1.22	1.63	1.34	1.34	0.50	0.43	0.43	0.65	0.58	0.68
1/2 x 1/2 x 3/4	1.22	1.22	1.20	1.340	1.340	1.630	0.430	0.430	0.500	0.68	0.68	0.65
1 x 1 x 3/4	1.37	1.37	1.45	1.95	1.95	1.63	0.58	0.58	0.50	0.68	0.68	0.90
1 x 1 x 1/2	1.26	1.26	1.36	1.95	1.95	1.34	0.58	0.58	0.43	0.57	0.57	0.82
1 x 1 x 3/8	1.18	1.18	1.27	1.95	1.95	1.12	0.58	0.58	0.36	0.49	0.49	0.86
1 x 1 x 1/4	—	—	—	—	—	—	—	—	—	—	—	—
1 x 3/4 x 1	1.50	1.45	1.50	1.95	1.63	1.95	0.58	0.50	0.58	0.81	0.90	0.81
1 x 3/4 x 3/4	1.37	1.31	1.45	1.95	1.63	1.63	0.58	0.50	0.50	0.68	0.76	0.90
1 x 3/4 x 1/2	1.26	1.20	1.36	1.95	1.63	1.34	0.58	0.50	0.43	0.57	0.65	0.82
1 x 1/2 x 1	1.50	1.36	1.50	1.95	1.34	1.95	0.58	0.43	0.58	0.81	0.82	0.81
1 x 1/2 x 3/4	1.37	1.22	1.45	1.95	1.34	1.63	0.58	0.43	0.50	0.68	0.68	0.90
1 x 1/2 x 1/2	—	—	—	—	—	—	—	—	—	—	—	—
1 x 3/8 x 1	1.50	1.27	1.50	1.95	1.12	1.95	0.58	0.36	0.58	0.81	0.86	0.81
*1 x 1/4 x 1	1.50	1.20	1.50	1.95	0.93	1.95	0.58	0.32	0.58	0.81	0.79	0.81
3/4 x 3/4 x 1	1.45	1.45	1.37	1.63	1.63	1.95	0.50	0.50	0.58	0.90	0.90	0.68
*3/4 x 1/2 x 1	1.45	1.45	1.37	1.63	1.34	1.95	0.50	0.43	0.58	0.90	0.91	0.68
1/2 x 1/2 x 1	—	—	—	—	—	—	—	—	—	—	—	—
1 1/4 x 1 1/4 x 1	1.58	1.58	1.67	2.39	2.39	1.95	0.67	0.67	0.58	0.87	0.87	0.98
1 1/4 x 1 1/4 x 3/4	1.45	1.45	1.62	2.39	2.39	1.63	0.67	0.67	0.50	0.74	0.74	1.07
1 1/4 x 1 1/4 x 1/2	1.34	1.34	1.53	2.39	2.39	1.34	0.67	0.67	0.43	0.63	0.63	0.99
1 1/4 x 1 1/4 x 1/8	---	---	---	---	---	---	---	---	---	---	---	---
1 1/4 x 1 x 1 1/4	1.75	1.67	1.75	2.39	1.95	2.39	0.67	0.58	0.67	1.04	0.98	1.04
1 1/4 x 1 x 1	1.58	1.50	1.67	2.39	1.95	1.95	0.67	0.58	0.58	0.87	0.81	0.98
1 1/4 x 1 x 3/4	1.45	1.37	1.62	2.39	1.95	1.63	0.67	0.58	0.50	0.74	0.68	1.07

* Manufactured to WARD specifications

CAST IRON REDUCING TEE CLASS 125

NPS	Center to End A	Center to End B	Center to End C	Outside Dia. of Band D (min)	Outside Dia. of Band D2 (min)	Outside Dia. of Band D3 (min)	Length of Threads E (min)	Length of Threads E2 (min)	Length of Threads E3 (min)	Take Out	Take Out	Take Out
1 1/4 x 1 x 1/2	1.34	1.26	1.53	2.39	1.95	1.34	0.67	0.58	0.43	0.63	0.57	0.99
1 1/4 x 3/4 x 1 1/4	1.75	1.62	1.75	2.39	1.63	2.39	0.67	0.50	0.67	1.04	1.07	1.04
1 1/4 x 3/4 x 1	1.58	1.45	1.67	2.39	1.63	1.95	0.67	0.50	0.58	0.87	0.90	0.98
1 1/4 x 3/4 x 3/4	1.45	1.31	1.62	2.39	1.63	1.63	0.67	0.50	0.50	0.74	0.76	1.07
*1 1/4 x 3/4 x 1/2	1.45	1.31	1.62	2.39	1.63	1.34	0.67	0.50	0.43	0.74	0.76	1.08
1 1/4 x 1/2 x 1 1/4	1.75	1.53	1.75	2.39	1.34	2.39	0.67	0.43	0.67	1.04	0.99	1.04
1 1/4 x 1/2 x 1	1.58	1.36	1.67	2.39	1.34	1.95	0.67	0.43	0.58	0.87	0.82	0.98
*1 1/4 x 1/2 x 3/4	1.45	1.31	1.62	2.39	1.34	1.63	0.67	0.43	0.50	0.74	0.77	1.07
*1 1/4 x 1/2 x 1/2	1.34	1.12	1.53	2.39	1.34	1.34	0.67	0.43	0.43	0.63	0.58	0.99
*1 1/4 x 1/2 x 3/8	1.58	1.45	1.45	2.39	1.34	1.12	0.67	0.43	0.36	0.87	0.91	1.04
*1 1/4 x 1/4 x 1 1/4	1.75	1.53	1.75	2.39	0.93	2.39	0.67	0.32	0.67	1.04	1.12	1.04
*1 1/4 x 1/8 x 1 1/4	1.75	1.53	1.75	2.39	0.81	2.39	0.67	0.32	0.67	1.04	1.26	1.04
1 x 1 x 1 1/4	1.67	1.67	1.58	1.95	1.95	2.39	0.58	0.58	0.67	0.98	0.98	0.87
*1 x 3/4 x 1 1/4	1.75	1.62	1.75	1.95	1.63	2.39	0.58	0.50	0.67	1.06	1.07	1.04
*1 x 1/2 x 1 1/4	1.75	1.53	1.75	1.95	1.34	2.39	0.58	0.43	0.67	1.06	0.99	1.04
1 1/2 x 1 1/2 x 1 1/4	1.82	1.82	1.88	2.68	2.68	2.39	0.70	0.70	0.67	1.09	1.09	1.17
1 1/2 x 1 1/2 x 1	1.65	1.65	1.80	2.68	2.68	1.95	0.70	0.70	0.58	0.92	0.92	1.11
1 1/2 x 1 1/2 x 3/4	1.52	1.52	1.75	2.68	2.68	1.63	0.70	0.70	0.50	0.79	0.79	1.20
1 1/2 x 1 1/2 x 1/2	1.41	1.41	1.66	2.68	2.68	1.34	0.70	0.70	0.43	0.68	0.68	1.12
1 1/2 x 1 1/2 x 3/8	1.41	1.41	1.66	2.68	2.68	1.12	0.70	0.70	0.36	0.68	0.68	1.25
1 1/2 x 1 1/4 x 1 1/2	1.94	1.88	1.94	2.68	2.39	2.68	0.70	0.67	0.70	1.21	1.17	1.21
1 1/2 x 1 1/4 x 1 1/4	1.82	1.75	1.88	2.68	2.39	2.39	0.70	0.67	0.67	1.09	1.04	1.17
1 1/2 x 1 1/4 x 1	1.65	1.58	1.80	2.68	2.39	1.95	0.70	0.67	0.58	0.92	0.87	1.11
1 1/2 x 1 1/4 x 3/4	1.52	1.45	1.75	2.68	2.39	1.63	0.70	0.67	0.50	0.79	0.74	1.20
1 1/2 x 1 1/4 x 1/2	1.41	1.34	1.66	2.68	2.39	1.34	0.70	0.67	0.43	0.68	0.63	1.12
1 1/2 x 1 x 1 1/2	1.94	1.80	1.94	2.68	1.95	2.68	0.70	0.58	0.70	1.21	1.11	1.21
1 1/2 x 1 x 1 1/4	1.94	1.80	1.94	2.68	1.95	2.39	0.70	0.58	0.67	1.21	1.11	1.23
1 1/2 x 1 x 1	1.65	1.50	1.80	2.68	1.95	1.95	0.70	0.58	0.58	0.92	0.81	1.11
*1 1/2 x 1 x 3/4	1.65	1.50	1.80	2.68	1.95	1.63	0.70	0.58	0.50	0.92	0.81	1.25
*1 1/2 x 1 x 1/2	1.41	1.34	1.66	2.68	1.95	1.34	0.70	0.58	0.43	0.68	0.65	1.12
1 1/2 x 3/4 x 1 1/2	1.94	1.75	1.94	2.68	1.63	2.68	0.70	0.50	0.70	1.21	1.20	1.21
1 1/2 x 3/4 x 1 1/4	1.82	1.62	1.88	2.68	1.63	2.39	0.70	0.50	1.09	1.21	1.07	1.17
*1 1/2 x 3/4 x 1	1.65	1.50	1.80	2.68	1.63	1.95	0.70	0.50	0.58	0.92	0.95	1.11
*1 1/2 x 3/4 x 3/4	1.65	1.50	1.80	2.68	1.63	1.63	0.70	0.50	0.50	0.92	0.95	1.25
*1 1/2 x 3/4 x 1/2	1.52	1.37	1.80	2.68	1.63	1.34	0.70	0.50	0.43	0.80	0.82	1.26
1 1/2 x 1/2 x 1 1/2	1.94	1.66	1.94	2.68	1.34	2.68	0.70	0.43	0.70	1.21	1.12	1.21
*1 1/2 x 1/2 x 1 1/4	1.94	1.66	1.94	2.68	1.34	2.39	0.70	0.43	0.67	1.21	1.12	1.23
*1 1/2 x 1/2 x 3/4	1.52	1.37	1.80	2.68	1.34	1.63	0.70	0.43	0.50	0.80	0.84	1.25
*1 1/2 x 1/2 x 1/2	1.52	1.37	1.80	2.68	1.34	1.34	0.70	0.43	0.43	0.80	0.84	1.26
1 1/4 x 1 1/4 x 1 1/2	1.88	1.88	1.82	2.39	2.39	2.68	0.67	0.67	0.70	1.17	1.17	1.09
1 1/4 x 1 x 1 1/2	1.88	1.80	1.82	2.39	1.95	2.68	0.67	0.58	0.70	1.17	1.11	1.09
*1 1/4 x 3/4 x 1 1/2	1.94	1.75	1.94	2.39	1.63	2.68	0.67	0.50	0.70	1.23	1.20	1.21
*1 1/4 x 1/2 x 1 1/2	1.94	1.66	1.94	2.39	1.34	2.68	0.67	0.43	0.70	1.23	1.12	1.21

* Manufactured to WARD specifications

CAST IRON REDUCING TEE CLASS 125

NPS	Center to End A	Center to End B	Center to End C	Outside Dia. of Band D (min)	Outside Dia. of Band D2 (Min)	Outside Dia. of Band D3 (min)	Length of Threads E (min)	Length of Threads E2 (min)	Length of Threads E3 (min)	Take Out	Take Out	Take Out
1 x 1 x 1 1/2	1.80	1.80	1.65	1.95	1.95	2.68	0.58	0.58	0.70	1.11	1.11	0.92
2 x 2 x 1 1/2	2.02	2.02	2.16	3.28	3.28	2.68	0.75	0.75	0.70	1.26	1.26	1.43
2 x 2 x 1 1/4	1.90	1.90	2.10	3.28	3.28	2.39	0.75	0.75	0.67	1.14	1.14	1.39
2 x 2 x 1	1.73	1.73	2.02	3.28	3.28	1.95	0.75	0.75	0.58	0.97	0.97	1.33
2 x 2 x 3/4	1.60	1.60	1.97	3.28	3.28	1.63	0.75	0.75	0.50	0.84	0.84	1.42
2 x 2 x 1/2	1.49	1.49	1.88	3.28	3.28	1.34	0.75	0.75	0.43	0.73	0.73	1.34
2 x 1 1/2 x 2	2.25	2.16	2.25	3.28	2.68	3.28	0.75	0.70	0.75	1.49	1.43	1.49
2 x 1 1/2 x 1 1/2	2.02	1.94	2.16	3.28	2.68	2.68	0.75	0.70	0.70	1.26	1.21	1.43
2 x 1 1/2 x 1 1/4	2.02	1.94	2.16	3.28	2.68	2.39	0.75	0.70	0.67	1.26	1.21	1.45
2 x 1 1/2 x 1	1.73	1.65	2.02	3.28	2.68	1.95	0.75	0.70	0.58	0.97	0.92	1.33
2 x 1 1/2 x 3/4	1.60	1.52	1.97	3.28	2.68	1.63	0.75	0.70	0.50	0.84	0.79	1.42
2 x 1 1/2 x 1/2	1.49	1.41	1.88	3.28	2.68	1.34	0.75	0.70	0.43	0.73	0.68	1.34
2 x 1 1/4 x 2	2.25	2.10	2.25	3.28	2.39	3.28	0.75	0.67	0.75	1.49	1.39	1.49
2 x 1 1/4 x 1 1/2	1.02	1.88	2.16	3.28	2.39	2.68	0.75	0.67	0.70	0.26	1.17	1.43
2 x 1 1/4 x 1 1/4	1.90	1.75	2.10	3.28	2.39	2.39	0.75	0.67	0.67	1.14	1.04	1.39
2 x 1 1/4 x 1	1.73	1.58	2.02	3.28	2.39	1.95	0.75	0.67	0.58	0.97	0.87	1.33
2 x 1 1/4 x 3/4	—	—	—	—	—	—	—	—	—	—	—	—
*2 x 1 1/4 x 1/2	1.49	1.41	1.88	3.28	2.39	1.34	0.75	0.67	0.43	0.73	0.70	1.34
2 x 1 x 2	2.25	2.02	2.25	3.28	1.95	3.28	0.75	0.58	0.75	1.49	1.33	1.49
2 x 1 x 1 1/2	2.02	1.80	2.16	3.28	1.95	2.68	0.75	0.58	0.70	1.26	1.11	1.43
2 x 1 x 1 1/4	1.90	1.67	2.10	3.28	1.95	2.39	0.75	0.58	0.67	1.14	0.98	1.39
*2 x 1 x 1	1.73	1.94	2.02	3.28	1.95	1.95	0.75	0.58	0.58	0.97	1.25	1.33
*2 x 1 x 3/4	1.73	1.94	2.02	3.28	1.95	1.63	0.75	0.58	0.50	0.97	1.25	1.47
2 x 3/4 x 2	2.25	1.97	2.25	3.28	1.63	3.28	0.75	0.50	0.75	1.49	1.42	1.49
*2 x 3/4 x 1 1/2	2.25	1.97	2.25	3.28	1.63	2.68	0.75	0.50	0.70	1.49	1.42	1.52
*2 x 3/4 x 1 1/4	2.25	1.97	2.25	3.28	1.63	2.39	0.75	0.50	0.67	1.49	1.42	1.54
*2 x 3/4 x 1	1.73	1.94	2.02	3.28	1.63	1.95	0.75	0.50	0.58	0.97	1.39	1.33
*2 x 3/4 x 3/4	1.60	1.60	1.97	3.28	1.63	1.63	0.75	0.50	0.50	0.84	1.05	1.42
*2 x 3/4 x 1/2	1.60	1.60	1.97	3.28	1.63	1.34	0.75	0.50	0.43	0.84	1.05	1.43
2 x 1/2 x 2	2.25	1.88	2.25	3.28	1.34	3.280	0.75	0.43	0.75	1.49	1.34	1.49
*2 x 1/2 x 1 1/2	2.02	1.66	2.16	3.28	1.34	2.68	0.75	0.43	0.70	1.26	1.12	1.43
*2 x 1/2 x 1 1/4	2.02	1.66	2.16	3.28	1.34	2.39	0.75	0.43	0.67	1.26	1.12	1.45
*2 x 1/2 x 3/4	1.60	1.60	1.97	3.28	1.34	1.63	0.75	0.43	0.50	0.84	1.06	1.42
*2 x 1/2 x 1/2	1.60	1.60	1.97	3.28	1.34	1.34	0.75	0.43	0.43	0.84	1.06	1.43
1 1/2 x 1 1/2 x 2	2.16	2.16	2.02	2.68	2.68	3.28	0.70	0.70	0.75	1.43	1.43	1.26
1 1/2 x 1 1/4 x 2	2.16	2.10	2.02	2.68	2.39	3.28	0.70	0.67	0.75	1.43	1.39	1.26
1 1/2 x 1 x 2	2.16	2.02	2.02	2.68	1.95	3.28	0.70	0.58	0.75	1.43	1.33	1.26
1 1/4 x 1 1/4 x 2	—	—	—	—	—	—	—	—	—	—	—	—
1 1/4 x 1 x 2	—	—	—	—	—	—	—	—	—	—	—	—
1 x 1 x 2	—	—	—	—	—	—	—	—	—	—	—	—
2 1/2 x 2 1/2 x 2	2.39	2.39	2.60	3.86	3.86	3.28	0.92	0.92	0.75	1.25	1.25	1.84
2 1/2 x 2 1/2 x 1 1/2	2.16	2.16	2.51	3.86	3.86	2.68	0.92	0.92	0.70	1.02	1.02	1.78

* Manufactured to WARD specifications

CAST IRON REDUCING TEE CLASS 125

NPS	Center to End A	Center to End B	Center to End C	Outside Dia. of Band D (min)	Outside Dia. of Band D2 (Min)	Outside Dia. of Band D3 (min)	Length of Threads E (min)	Length of Threads E2 (min))	Length of Threads E3 (min)	Take Out	Take Out	Take Out
2 1/2 x 2 1/2 x 1 1/4	2.04	2.04	2.45	3.86	3.86	2.39	0.92	0.92	0.67	0.90	0.90	1.74
2 1/2 x 2 1/2 x 1	1.87	1.87	2.37	3.86	3.86	1.95	0.92	0.92	0.58	0.73	0.73	1.68
2 1/2 x 2 1/2 x 3/4	1.87	1.87	2.32	3.86	3.86	1.63	0.92	0.92	0.50	0.73	0.73	1.77
2 1/2 x 2 1/2 x 1/2	1.87	1.87	2.23	3.86	3.86	1.34	0.92	0.92	0.43	0.73	0.73	1.69
2 1/2 x 2 x 2 1/2	2.70	2.60	2.70	3.86	3.28	3.86	0.92	0.75	0.92	1.56	1.84	1.56
2 1/2 x 2 x 2	2.39	2.25	2.60	3.86	3.28	3.28	0.92	0.75	0.75	1.25	1.49	1.84
2 1/2 x 2 x 1 1/2	2.16	2.02	2.51	3.86	3.28	2.68	0.92	0.75	0.70	1.02	1.26	1.78
2 1/2 x 2 x 1 1/4	2.04	1.90	2.45	3.86	3.28	2.39	0.92	0.75	0.67	0.90	1.14	1.74
2 1/2 x 2 x 1	1.87	1.73	2.37	3.86	3.28	1.95	0.92	0.75	0.58	0.73	0.97	1.68
2 1/2 x 2 x 3/4	1.74	1.60	2.32	3.86	3.28	1.63	0.92	0.75	0.50	0.60	0.84	1.77
2 1/2 x 2 x 1/2	1.63	1.49	2.23	3.86	3.28	1.34	0.92	0.75	0.43	0.49	0.73	1.696
2 1/2 x 1 1/2 x 2 1/2	2.70	2.51	2.70	3.86	2.68	3.86	0.92	0.70	0.92	1.56	1.78	1.563
2 1/2 x 1 1/2 x 2	2.39	2.16	2.60	3.86	2.68	3.28	0.92	0.70	0.75	1.25	1.43	1.84
2 1/2 x 1 1/2 x 1 1/2	2.16	1.94	2.51	3.86	2.68	2.68	0.92	0.70	0.70	1.02	1.21	1.786
*2 1/2 x 1 1/2 x 1 1/4	2.04	1.90	2.45	3.86	2.68	2.39	0.92	0.70	0.67	0.90	1.17	1.743
*2 1/2 x 1 1/2 x 1/2	1.63	1.49	2.23	3.86	2.68	1.34	0.92	0.70	0.43	0.49	0.76	1.696
2 1/2 x 1 1/4 x 2 1/2	2.70	2.45	2.70	3.86	2.39	3.86	0.92	0.67	0.92	1.56	1.74	1.563
2 1/2 x 1 1/4 x 2	2.70	2.45	2.70	3.86	2.39	3.28	0.92	0.67	0.75	1.56	1.74	1.94
*2 1/2 x 1 1/4 x 1 1/2	2.16	1.94	2.51	3.86	2.39	2.68	0.92	0.67	0.70	1.02	1.23	1.78
*2 1/2 x 1 1/4 x 1 1/4	2.04	1.90	2.45	3.86	2.39	2.39	0.92	0.67	0.67	0.90	1.19	1.74
*2 1/2 x 1 1/4 x 1	2.14	2.12	2.51	3.86	2.39	1.95	0.92	0.67	0.58	1.00	1.41	1.82
2 1/2 x 1 x 2 1/2	2.70	2.37	2.70	3.86	1.95	3.86	0.92	0.58	0.92	1.56	1.68	1.56
2 1/2 x 1 x 2	2.39	2.02	2.60	3.86	1.95	3.28	0.92	0.58	0.75	1.25	1.33	1.84
*2 1/2 x 1 x 1 1/4	2.14	2.12	2.51	3.86	1.95	2.39	0.92	0.58	0.67	1.00	1.43	1.80
*2 1/2 x 1 x 1	1.94	1.75	2.37	3.86	1.95	1.95	0.92	0.58	0.58	0.80	1.06	1.68
*2 1/2 x 1 x 3/4	1.94	1.75	2.37	3.86	1.95	1.63	0.92	0.58	0.50	0.80	1.06	1.82
2 1/2 x 3/4 x 2 1/2	2.70	2.32	2.70	3.86	1.63	3.86	0.92	0.50	0.92	1.56	1.77	1.56
*2 1/2 x 3/4 x 2	2.70	2.32	2.70	3.86	1.63	3.28	0.92	0.50	0.75	1.56	1.77	1.94
*2 1/2 x 3/4 x 3/4	1.94	1.75	2.37	3.86	1.63	1.63	0.92	0.50	0.50	0.80	1.20	1.82
2 1/2 x 1/2 x 2 1/2	2.70	2.23	2.70	3.86	1.34	3.86	0.92	0.43	0.92	1.56	1.69	1.56
*2 1/2 x 1/2 X 2	2.70	2.60	2.70	3.86	1.34	3.28	0.92	0.43	0.75	1.56	2.06	1.94
2 x 2 x 2 1/2	2.60	2.60	2.39	3.28	3.28	3.86	0.75	0.75	0.92	1.84	1.46	1.25
2 x 1 1/2 x 2 1/2	2.60	2.51	2.39	3.28	2.68	3.86	0.75	0.70	0.92	1.84	1.78	1.25
2 x 1 1/4 x 2 1/2	2.60	2.45	2.39	3.28	2.39	3.86	0.75	0.67	0.92	1.84	1.74	1.25
*2 x 1 x 2 1/2	2.70	2.45	2.70	3.28	1.95	3.86	0.75	0.58	0.92	1.94	1.76	1.56
*2 x 3/4 x 2 1/2	2.70	2.32	2.70	3.28	1.63	3.86	0.75	0.50	0.92	1.94	1.77	1.56
1 1/2 x 1 1/2 x 2 1/2	2.51	2.51	2.16	2.68	2.68	3.86	0.70	0.70	0.92	1.78	1.78	1.02
3 x 3 x 2 1/2	2.83	2.83	2.99	4.62	4.62	3.86	0.98	0.98	0.92	1.63	1.63	1.85
3 x 3 x 2	2.52	2.52	2.89	4.62	4.62	3.28	0.98	0.98	0.75	1.32	1.32	2.13
3 x 3 x 1 1/2	2.29	2.29	2.80	4.62	4.62	2.68	0.98	0.98	0.70	1.09	1.09	2.07
3 x 3 x 1 1/4	2.17	2.17	2.74	4.62	4.62	2.39	0.98	0.98	0.67	0.97	0.97	2.03
3 x 3 x 1	2.00	2.00	2.66	4.62	4.62	1.95	0.98	0.98	0.58	0.80	0.80	1.97

* Manufactured to WARD specifications

CAST IRON REDUCING TEE CLASS 125

NPS	Center to End A	Center to End B	Center to End C	Outside Dia. of Band D (min)	Outside Dia. of Band D2 (Min)	Outside Dia. of Band D3 (min)	Length of Threads E (min)	Length of Threads E2 (min)	Length of Threads E3 (min)	Take Out	Take Out	Take Out
3 x 3 x 3/4	—	—	—	—	—	—	—	—	—	—	—	—
3 x 3 x 1/2	—	—	—	—	—	—	—	—	—	—	—	—
3 x 2 1/2 x 3	3.08	2.99	3.08	4.62	3.86	4.62	0.98	0.92	0.98	1.88	1.85	1.88
3 x 2 1/2 x 2 1/2	2.83	2.70	2.99	4.62	3.86	3.86	0.98	0.92	0.92	1.63	1.56	1.85
3 x 2 1/2 x 2	2.52	2.39	2.89	4.62	3.86	3.28	0.98	0.92	0.75	1.32	1.25	2.13
3 x 2 1/2 x 1 1/2	—	—	—	—	—	—	—	—	—	—	—	—
3 x 2 1/2 x 1 1/4	2.17	2.04	2.74	4.62	3.86	2.39	0.98	0.92	0.67	0.97	0.90	2.03
3 x 2 1/2 x 1	—	—	—	—	—	—	—	—	—	—	—	—
3 x 2 x 3	3.08	2.89	3.08	4.62	3.28	4.62	0.98	0.75	0.98	1.88	2.13	1.88
3 x 2 x 2 1/2	2.83	2.60	2.99	4.62	3.28	3.86	0.98	0.75	0.92	1.63	1.84	1.85
3 x 2 x 2	2.52	2.25	2.89	4.62	3.28	3.28	0.98	0.75	0.75	1.32	1.49	2.13
3 x 2 x 1 1/2	2.29	2.02	2.80	4.62	3.28	2.68	0.98	0.75	0.70	1.09	1.26	2.07
3 x 1 1/2 x 3	3.08	2.80	3.08	4.62	2.68	4.62	0.98	0.70	0.98	1.88	2.07	1.88
*3 x 1 1/2 x 2	2.52	2.25	2.89	4.62	2.68	3.28	0.98	0.70	0.75	1.32	1.52	2.13
*3 x 1 1/2 x 1 1/2	2.52	2.25	2.89	4.62	2.68	2.68	0.98	0.70	0.70	1.32	1.52	2.16
3 x 1 1/4 x 3	3.08	2.74	3.08	4.62	2.39	4.62	0.98	0.67	0.98	1.88	2.03	1.88
*3 x 1 1/4 x 2	2.52	2.70	2.89	4.62	2.39	3.28	0.98	0.67	0.75	1.32	1.99	2.13
3 x 1 x 3	3.08	2.66	3.08	4.62	1.95	4.62	0.98	0.58	0.98	1.88	1.97	1.88
*3 x 1 x 2	2.52	2.63	2.89	4.62	1.95	3.28	0.98	0.58	0.75	1.32	1.94	2.13
3 x 3/4 x 3	3.08	2.61	3.08	4.62	1.63	4.62	0.98	0.50	0.98	1.88	2.06	1.88
2 1/2 x 2 1/2 x 3	2.99	2.99	2.83	3.86	3.86	4.62	0.92	0.92	0.98	1.85	1.85	1.63
2 1/2 x 2 x 3	2.99	2.89	2.83	3.86	3.28	4.62	0.92	0.75	0.98	1.85	2.13	1.63
2 x 2 x 3	2.89	2.99	2.52	3.28	3.28	4.62	0.75	0.75	0.98	2.13	2.23	1.32
*1 1/2 x 1 1/2 x 3	2.83	2.83	2.27	2.68	2.68	4.62	0.70	0.70	0.98	2.10	2.10	1.07
3 1/2 x 3 1/2 x 3	3.18	3.18	3.33	5.20	5.20	4.62	1.03	1.03	0.98	1.93	1.93	2.13
3 1/2 x 3 1/2 x 2 1/2	2.93	2.93	3.24	5.20	5.20	3.86	1.03	1.03	0.92	1.68	1.68	2.10
3 1/2 x 3 1/2 x 2	2.62	2.62	3.14	5.20	5.20	3.28	1.03	1.03	0.75	1.37	1.37	2.38
3 1/2 x 3 1/2 x 1 1/2	2.39	2.39	3.05	5.20	5.20	2.68	1.03	1.03	0.70	1.14	1.14	2.32
3 1/2 x 3 1/2 x 1 1/4	2.27	2.27	2.99	5.20	5.20	2.39	1.03	1.03	0.67	1.02	1.02	2.28
3 1/2 x 3 1/2 x 1	2.10	2.10	2.91	5.20	5.20	1.95	1.03	1.03	0.58	0.85	0.85	2.22
*3 1/2 x 3 x 3 1/2	3.42	3.42	3.42	5.20	4.62	5.20	1.03	0.98	1.03	2.17	2.22	2.17
3 1/2 x 3 x 3	3.18	3.08	3.33	5.20	4.62	4.62	1.03	0.98	0.98	1.93	1.88	2.13
3 1/2 x 3 x 2 1/2	2.93	2.83	3.24	5.20	4.62	3.86	1.03	0.98	0.92	1.68	1.63	2.10
3 1/2 x 3 x 2	2.62	2.52	3.14	5.20	4.62	3.28	1.03	0.98	0.75	1.37	1.32	2.38
3 1/2 x 3 x 1 1/2	2.39	2.29	3.05	5.20	4.62	2.68	1.03	0.98	0.70	1.14	1.09	2.32
*3 1/2 x 3 x 1 1/4	2.39	2.29	3.05	5.20	4.62	2.39	1.03	0.98	0.67	1.14	1.09	2.34
*3 1/2 x 2 1/2 x 2	—	—	—	—	—	—	—	—	—	—	—	—
3 1/2 x 1 1/4 x 3 1/2	3.42	2.99	3.42	5.20	2.39	5.20	1.03	0.67	1.03	2.17	2.28	2.17
3 1/2 x 1 x 3 1/2	3.42	2.91	3.42	5.20	1.95	5.20	1.03	0.58	1.03	2.17	2.22	2.17
3 x 3 x 3 1/2	3.33	3.33	3.18	4.62	4.62	5.20	0.98	0.98	1.03	2.13	2.13	1.93
4 x 4 x 3 1/2	3.54	3.54	3.69	5.79	5.79	5.20	1.08	1.08	1.03	2.24	2.24	2.44
4 x 4 x 3	3.30	3.30	3.60	5.79	5.79	4.62	1.08	1.08	0.98	2.00	2.00	2.40

* Manufactured to WARD specifications

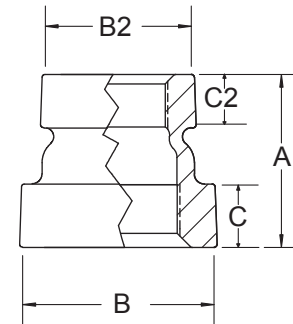
CAST IRON REDUCING TEE CLASS 125

NPS	Center to End A	Center to End B	Center to End C	Outside Dia. of Band D (min)	Outside Dia. of Band D2 (Min)	Outside Dia. of Band D3 (min)	Length of Threads E (min)	Length of Threads E2 (min)	Length of Threads E3 (min)	Take Out	Take Out	Take Out
4 x 4 x 2 1/2	3.05	3.05	3.51	5.79	5.79	3.86	1.08	1.08	0.92	1.75	1.75	2.37
4 x 4 x 2	2.74	2.74	3.41	5.79	5.79	3.28	1.08	1.08	0.75	1.44	1.44	2.65
4 x 4 x 1 1/2	2.51	2.51	3.32	5.79	5.79	2.68	1.08	1.08	0.70	1.21	1.21	2.59
4 x 4 x 1 1/4	—	—	—	—	—	—	—	—	—	—	—	—
4 x 4 x 1	—	—	—	—	—	—	—	—	—	—	—	—
4 x 4 x 3/4	—	—	—	—	—	—	—	—	—	—	—	—
4 x 3 1/2 x 4	3.79	3.69	3.79	5.79	5.20	5.79	1.08	1.03	1.08	2.49	2.44	2.49
4 x 3 1/2 x 3 1/2	3.54	3.42	3.69	5.79	5.20	5.20	1.08	1.03	1.03	2.24	2.17	2.44
4 x 3 1/2 x 3	3.30	3.18	3.60	5.79	5.20	4.62	1.08	1.03	0.98	2.00	1.93	2.40
4 x 3 1/2 x 2 1/2	3.05	2.93	3.51	5.79	5.20	3.86	1.08	1.03	0.92	1.75	1.68	2.37
4 x 3 1/2 x 2	2.74	2.62	3.41	5.79	5.20	3.28	1.08	1.03	0.75	1.44	1.37	2.65
4 x 3 1/2 x 1 1/2	2.51	2.39	3.32	5.79	5.20	2.68	1.08	1.03	0.70	1.21	1.14	2.59
4 x 3 x 4	3.79	3.60	3.79	5.79	4.62	5.79	1.08	0.98	1.08	2.49	2.40	2.49
*4 x 3 x 3 1/2	3.79	3.69	3.79	5.79	4.62	5.20	1.08	0.98	1.03	2.49	2.49	2.54
4 x 3 x 3	3.30	3.08	3.60	5.79	4.62	4.62	1.08	0.98	0.98	2.00	1.88	2.40
4 x 3 x 2 1/2	3.05	2.83	3.51	5.79	4.62	3.86	1.08	0.98	0.92	1.75	1.63	2.37
4 x 3 x 2	2.74	2.52	3.41	5.79	4.62	3.28	1.08	0.98	0.75	1.44	1.32	2.65
*4 x 3 x 1 1/2	2.51	2.39	3.32	5.79	4.62	2.68	1.08	0.98	0.70	1.21	1.19	2.59
4 x 2 1/2 x 4	3.79	3.51	3.79	5.79	3.86	5.79	1.08	0.92	1.08	2.49	2.37	2.49
4 x 2 1/2 x 3	3.30	2.99	3.60	5.79	3.86	4.62	1.08	0.92	0.98	2.00	1.85	2.40
4 x 2 1/2 x 2 1/2	3.05	2.70	3.51	5.79	3.86	3.86	1.08	0.92	0.92	1.75	1.56	2.37
*4 x 2 1/2 x 2	3.05	2.70	3.51	5.79	3.86	3.28	1.08	0.92	0.75	1.75	1.56	2.75
4 x 2 x 4	3.79	3.41	3.79	5.79	3.28	5.79	1.08	0.75	1.08	2.49	2.65	2.49
*4 x 2 x 2 1/2	3.05	2.70	3.51	5.79	3.28	3.86	1.08	0.75	0.92	1.75	1.94	2.37
4 x 2 x 2	2.74	2.25	3.41	5.79	3.28	3.28	1.08	0.75	0.75	1.44	1.49	2.65
*4 x 2 x 1 1/2	2.74	2.25	3.41	5.79	3.28	2.68	1.08	0.75	0.70	1.44	1.49	2.68
4 x 1 1/2 x 4	3.79	3.32	3.79	5.79	2.68	5.79	1.08	0.70	1.08	2.49	2.59	2.49
*4 x 1 1/2 x 2	2.74	2.25	3.41	5.79	2.68	3.28	1.08	0.70	0.75	1.44	1.52	2.65
*4 x 1 1/2 x 1 1/2	2.74	2.25	3.41	5.79	2.68	2.68	1.08	0.70	0.70	1.44	1.52	2.68
4 x 1 1/4 x 4	3.79	3.26	3.79	5.79	2.39	5.79	1.08	0.67	1.08	2.49	2.55	2.49
4 x 1 x 4	3.79	3.18	3.79	5.79	1.95	5.79	1.08	0.58	1.08	2.49	2.49	2.49
3 1/2 x 3 1/2 x 4	3.69	3.69	3.54	5.20	5.20	5.79	1.03	1.03	1.08	2.44	2.44	2.24
3 x 3 x 4	—	—	—	—	—	—	—	—	—	—	—	—
5 x 5 x 4	—	—	—	—	—	—	—	—	—	—	—	—
5 x 5 x 3	—	—	—	—	—	—	—	—	—	—	—	—
5 x 5 x 2 1/2	—	—	—	—	—	—	—	—	—	—	—	—
5 x 5 x 2	—	—	—	—	—	—	—	—	—	—	—	—
6 x 6 x 5	—	—	—	—	—	—	—	—	—	—	—	—
6 x 6 x 4	—	—	—	—	—	—	—	—	—	—	—	—
6 x 6 x 3	—	—	—	—	—	—	—	—	—	—	—	—

* Manufactured to WARD specifications

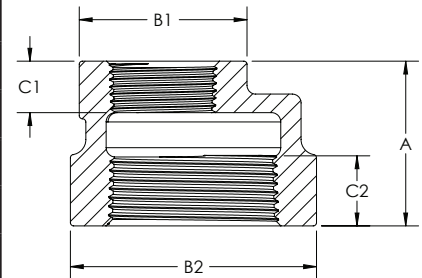
CAST IRON CONCENTRIC REDUCING COUPLING CLASS 125

NPS	Length of Coupling A	Outside Dia. of Band Small End B (min)	Outside Dia. of Large End B2 (min)	Length of Threads Small End C (min)	Length of Threads Large End C2 (min)	Take Out	Take Out
3/4 x 1/2	1.50	1.31	1.62	0.43	0.50	0.20	0.22
1 x 1/2	1.70	1.31	1.99	0.43	0.58	0.85	0.85
1 x 3/4	1.70	1.63	1.99	0.50	0.58	0.85	0.85
1 1/4 x 1	2.130	1.95	2.39	0.58	0.67	0.17	0.30
1 1/4 x 3/4	2.13	1.95	2.39	0.50	0.67	0.17	0.32
1 1/4 x 1/2	—	—	—	—	—	—	—
1 1/2 x 1 1/4	2.25	2.39	2.68	0.67	0.70	0.36	0.52
1 1/2 x 1	2.25	2.39	2.68	0.58	0.70		
1 1/2 x 3/4	—	—	—	—	—	—	—
1 1/2 x 1/2	—	—	—	—	—	—	—
2 x 1 1/2	2.32	2.68	3.28	0.70	0.75	0.40	0.44
2 x 1 1/4	2.32	2.39	3.28	0.67	0.75	0.40	0.45
2 x 1	2.32	1.95	3.28	0.58	0.75	0.40	0.44
2 x 3/4	2.32	1.63	3.28	0.50	0.75	0.40	0.45
2 x 1/2	2.32	1.63	3.28	0.43	0.75	0.40	0.48
2 1/2 x 2	2.63	3.28	3.86	0.75	0.92	0.18	0.56
2 1/2 x 1 1/2	2.63	3.28	3.86	0.70	0.92	0.18	0.59
3 x 2 1/2	—	—	—	—	—	—	—
3 x 2	2.88	3.28	4.62	0.75	0.98	0.29	0.68
3 x 1 1/2	2.88	3.28	4.62	0.70	0.98	0.24	0.72
4 x 3	—	—	—	—	—	—	—
4 x 2 1/2	—	—	—	—	—	—	—
4 x 2	—	—	—	—	—	—	—
6 x 4	—	—	—	—	—	—	—



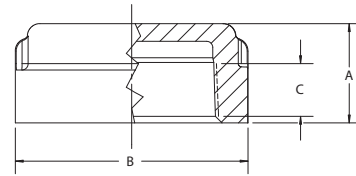
CAST IRON ECCENTRIC REDUCING COUPLING CLASS 125

NPS	Length of Coupling A	Outside Dia. of Band Small End B1 (min)	Outside Dia. of Large End B2 (min)	Length of Threads Small End C1 (min)	Length of Threads Large End C2 (min)	Take Out	Take Out
3/4 x 1/2	1.52	1.34	1.63	0.43	0.58	0.21	0.23
1 x 3/4	1.60	1.63	1.95	0.50	0.58	0.12	0.25
1 x 1/2	1.59	1.34	1.95	0.43	0.58	0.11	0.26
1 1/4 x 1	1.75	1.95	2.39	0.58	0.67	0.17	0.19
1 1/4 x 3/4	1.65	1.63	2.39	0.50	0.67	0.12	0.28
1 1/4 x 1/2	1.58	1.34	2.39	0.43	0.67	0.08	0.26
1 1/2 x 1 1/4	1.85	2.39	2.68	0.67	0.70	0.20	0.22
1 1/2 x 1	1.78	1.95	2.68	0.58	0.70	0.17	0.21
1 1/2 x 3/4	1.68	1.63	2.68	0.50	0.70	0.12	0.29
1 1/2 x 1/2	2.12	2.68	3.28	0.70	0.75	0.09	0.28
2 x 1 1/2	2.12	2.39	3.28	0.67	0.75	0.30	0.34
2 x 1 1/4	1.99	1.95	3.28	0.58	0.75	0.30	0.35
2 x 1	1.79	1.63	3.28	0.50	0.75	0.24	0.31
2 x 3/4	—	—	—	—	—	—	—
2 x 1/2	—	—	—	—	—	—	—
2 1/2 x 2	—	—	—	—	—	—	—
2 1/2 x 1 1/2	—	—	—	—	—	—	—
2 1/2 x 1 1/4	—	—	—	—	—	—	—
2 1/2 x 1	—	—	—	—	—	—	—
3 x 2 1/2	—	—	—	—	—	—	—
3 x 2	—	—	—	—	—	—	—
3 x 1 1/2	—	—	—	—	—	—	—
3 x 1 1/4	—	—	—	—	—	—	—
3 x 1	—	—	—	—	—	—	—
4 x 2 1/2	—	—	—	—	—	—	—
4 x 2	—	—	—	—	—	—	—
4 x 1 1/2	—	—	—	—	—	—	—
4 x 1 1/4	—	—	—	—	—	—	—



CAST IRON PIPE CAP CLASS 125

NPS	Overall Height A	Outside Dia. of Band B (min)	Length of Threads C (min)
2 1/2	1.810	3.860	0.920
3	1.910	4.620	0.980
3 1/2	2.030	5.200	1.030
4	2.220	5.790	1.080
5	2.380	7.050	1.180
6	2.630	8.280	1.280
8	2.880	10.630	1.470

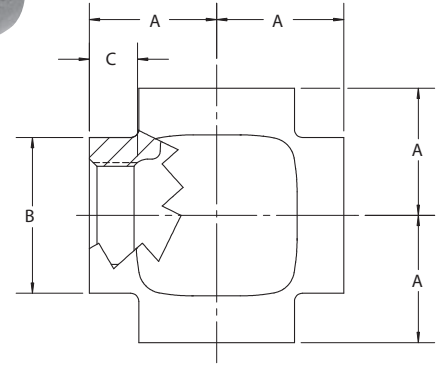


CAST IRON HEXAGON COUPLING

NPS	Width Across Flats A HEX.	Overall Length B	Thread Length C	Take Out	Take Out
1	1.94	1.69	0.58	0.16	0.16

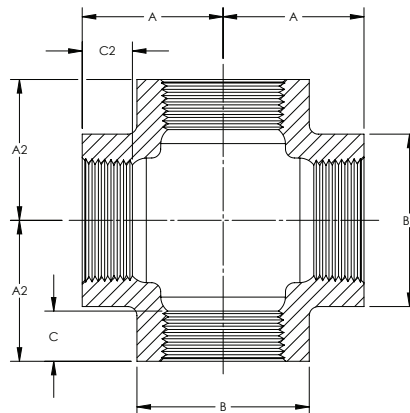
CAST IRON STRAIGHT CROSS CLASS 125

NPS	Center to End A	Outside Dia. Band B (min)	Length of Threads C (min)	Take Out
1/2	1.25	1.34	0.43	0.71
3/4	1.44	1.63	0.50	0.89
1	1.63	1.95	0.58	0.94
1 1/4	1.94	2.39	0.67	1.23
1 1/2	2.13	2.68	0.70	1.40
2	—	—	—	—
4	—	—	—	—



CAST IRON REDUCING CROSS CLASS 125

NPS	Center to End A	Center to End A2	Outside Dia. Band B (min)	Outside Dia. Band B2 (min)	Length of Threads C (min)	Length of Threads C2 (min)	Take Out	Take Out
1 1/4 x 1	1.67	1.58	2.39	1.95	0.67	0.58	0.96	0.89
1 1/2 x 1 1/4	—	—	—	—	—	—	—	—
1 1/2 x 1 1/4 x 1	—	—	—	—	—	—	—	—
1 1/2 x 1 1/4 x 1 x 1	—	—	—	—	—	—	—	—
1 1/2 x 1	1.80	1.65	2.68	1.95	0.70	0.58	1.07	0.96
1 1/2 x 1 x 1 x 1	—	—	—	—	—	—	—	—
2 x 1 1/2	—	—	—	—	—	—	—	—
2 x 1 1/4	—	—	—	—	—	—	—	—
2 x 1 1/2 x 1 x 1	—	—	—	—	—	—	—	—
2 x 1	2.02	1.73	3.28	1.95	0.75	0.58	1.26	1.04



CAST IRON 90° STRAIGHT ELL CLASS 250

NPS
1/2
3/4
1
1 1/4
1 1/2
2
2 1/2



CAST IRON 45° STRAIGHT ELL CLASS 250

NPS
1/2
3/4
1
1 1/4
1 1/2
2
2 1/2



CAST IRON STRAIGHT TEE CLASS 250

NPS
3/8
1/2
3/4
1
1 1/4
1 1/2
2
2 1/2



CAST IRON REDUCING TEE CLASS 250

NPS
1 1/4 x 1 1/4 x 3/4
1 1/2 x 1 1/2 x 3/4
2 x 2 x 3/4
2 x 2 x 1 1/2

