

B3373 - Standard Riser Clamp (TOLCO Fig. 6)

B3373C - PVC Coated Standard Riser Clamp (TOLCO Fig. 6PVC)

Size Range: (B3373) 1/2" (15mm) thru 30" (760mm) pipe
(B3373C) 1/2" (15mm) thru 6" (150mm) pipe

Material: Steel

Function: Used for supporting vertical piping.

Approvals: Underwriters Laboratories Listed in the USA (UL), Canada (cUL) 3/4" (20mm) - 8" (200mm). Factory Mutual Engineering Approved, 3/4" (20mm) thru 8" (200mm). Conforms to Federal Specification WW-H-171E & A-A-1192A, Type 8, and Manufacturers Standardization Society ANSI/MSS SP-69 & SP-58, Type 8.

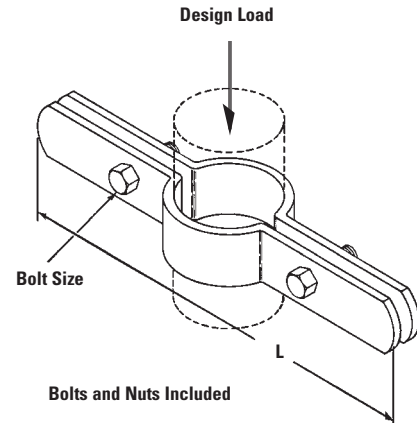
Maximum Temperature: 650°F (343°C)

Finish: Plain. Contact B-Line for alternative finishes and materials.

Order By:

Figure number, pipe size and finish.

Designed to meet or exceed requirements of FM DS 2-0.



B3373C



Part No.	Pipe Size		L		Bolt Size	Approx. Wt./100	
	in.	(mm)	in.	(mm)		Lbs.	(kg)
B3373-1/2	1/2"	(15)	9"	(228.6)	3/8"-16 x 1 1/4"	101	(45.9)
B3373-3/4	3/4"	(20)	9 1/4"	(234.9)	3/8"-16 x 1 1/4"	105	(47.7)
B3373-1	1"	(25)	9 9/16"	(242.9)	3/8"-16 x 1 1/4"	109	(49.4)
B3373-1 1/4	1 1/4"	(32)	10"	(254.0)	3/8"-16 x 1 1/4"	112	(50.9)
B3373-1 1/2	1 1/2"	(40)	10 1/4"	(260.3)	3/8"-16 x 1 1/2"	113	(51.1)
B3373-2	2"	(50)	10 3/4"	(273.0)	3/8"-16 x 1 1/2"	165	(75.0)
B3373-2 1/2	2 1/2"	(65)	11 1/4"	(285.7)	3/8"-16 x 1 1/2"	180	(81.6)
B3373-3	3"	(80)	11 15/16"	(303.2)	3/8"-16 x 1 1/2"	195	(88.4)
B3373-3 1/2	3 1/2"	(90)	12 3/8"	(314.3)	1/2"-13 x 1 3/4"	217	(98.5)
B3373-4	4"	(100)	12 7/8"	(327.0)	1/2"-13 x 1 3/4"	228	(103.5)
B3373-5	5"	(125)	14"	(355.6)	1/2"-13 x 1 3/4"	480	(217.7)
B3373-6	6"	(150)	15 3/16"	(385.8)	1/2"-13 x 2"	526	(238.6)
B3373-8	8"	(200)	17 3/4"	(450.8)	5/8"-11 x 2 1/2"	957	(434.1)
B3373-10	10"	(250)	19 7/16"	(493.7)	5/8"-11 x 2 1/2"	1101	(499.4)
B3373-12	12"	(300)	21 11/16"	(550.9)	5/8"-11 x 3"	1622	(735.7)
B3373-14	14"	(350)	23 9/16"	(598.5)	5/8"-11 x 3"	1732	(785.6)

Notes: For ductile iron (D.I.) pipe use part number B3373CI-pipe size. Contact B-Line Engineering for more information.

For larger sizes, consult the full line pipe hanger catalog.

All dimensions in charts and on drawings are in inches. Dimensions shown in parentheses are in millimeters unless otherwise specified.