

SPECIFICATION SHEET



MasterSeries® 850

Double Check Valve Assemblies

Size: 2½" - 10" (65mm - 250mm)

The FEBCO Master Series® 850 Double Check Valve Assemblies are designed for non-health hazard applications.
End Connections – Flanged ANSI B16.1 Class 125

Pressure – Temperature

Max. Working Pressure:	175psi (12.1 bar)
Hydrostatic Test Press:	350psi (24.1 bar)
Temperature Range:	32°F to 140°F (0°C to 60°C)

Materials

Main Valve Body:	Ductile iron Grade 65-45-12
Coating:	Fusion epoxy coated internal and external AWWA C550-90
Shutoff Valves:	NRS resilient wedge gate valves AWWA C509
Trim:	Bronze
Elastomer Discs:	EPDM
Spring:	Stainless steel
Clamp:	AWWA C606

Approvals – Standards

- Approved by the Foundation for Cross-Connection Control and Hydraulic Research at the University of Southern California. - 2½" - 8" (65 - 80mm) (Horizontal & Vertical Up)
- ANSI/AWWA (C510) - 2½" - 8" (Horizontal & Vertical Up), 10" (Horizontal)



1015
2½" - 8"
(65 - 200mm)
(Horizontal & Vertical up)
10" (250mm)
(Horizontal)



B64.5
2½" - 8"
(65 - 200mm)
(Horizontal & Vertical up)



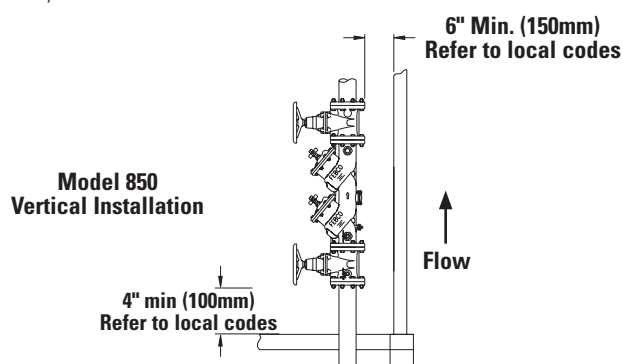
* Less gates not FM approved. Less gates not UL Classified unless installed with UL listed gate valves.



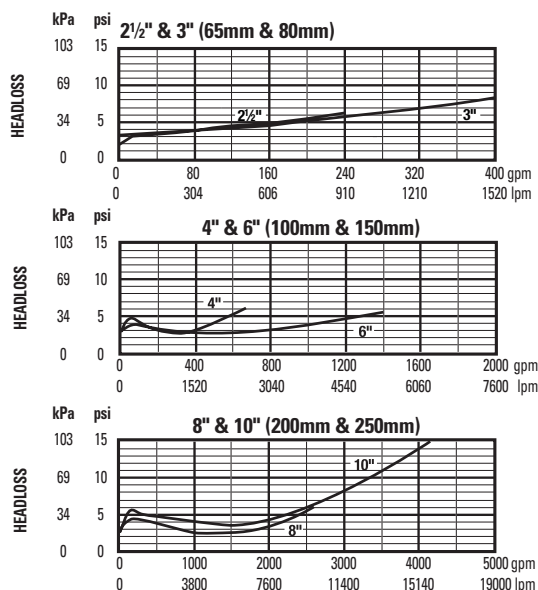
Model 850 Double Check Assembly
U.S. Patent No. 4,989,635

Models

- UL/FM OS&Y RW Gate Valves
- Wye-Strainer



Capacity



Job Name _____

Job Location _____

Engineer _____

Approval _____

Contractor _____

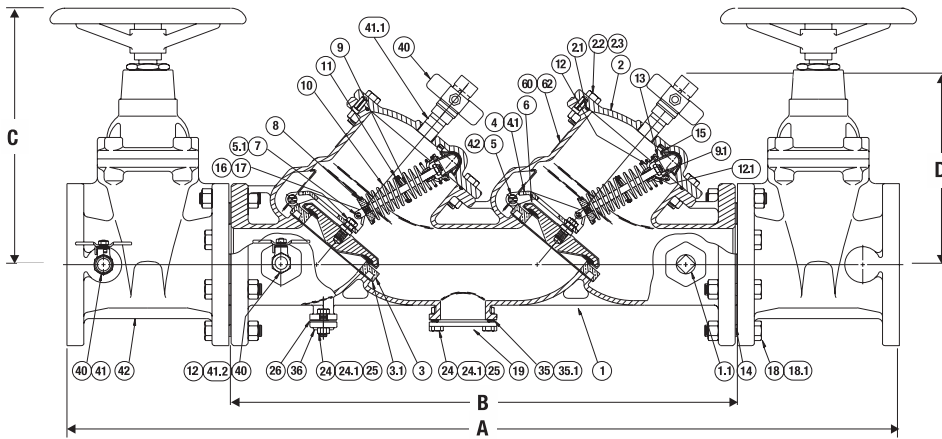
Approval _____

Contractor's P.O. No. _____

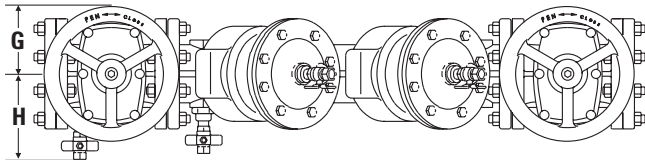
Representative _____

FEBCO product specifications in U.S. customary units and metric are approximate and are provided for reference only. For precise measurements, please contact FEBCO. FEBCO reserves the right to change or modify product design, construction, specifications, or materials without prior notice and without incurring any obligation to make such changes and modifications on FEBCO products previously or subsequently sold.

Model 850 / Materials of Construction



Top View



ITEM	DESCRIPTION	MATERIAL
1	Body	A536 GR 65-45-12
1.1	Pipe Plug	Galv. Steel
1.2	Bushing (21/2 - 4 only)	Brass
2	Cover	A536 GR 65-45-12
2.1	O-Ring	EPDM ASTM D2000
2.2	Cap Screw	Plated Steel
2.3	Hex Nut	Plated Steel
3	Seat Ring	B584 Alloy C83600
3.1	Gasket	EPDM ASTM D2000
4	Arm	B584 Alloy C83600
4.1	Bushing-Swing Pin	Acetal Resin
4.2	Swing Pin	304 SS
5	Retaining Clip	302 SS
5.1	Retaining Clip	302 SS
6	Check Disk Assy	EPDM Coated GR, 45 Ductile Iron with type 304 SS stem
7	Load Pin	304 SS
8	Lwr Spring Retrnr	B584 Alloy C83600
9	Spring Stem	304 SS
9.1	Elastic Stop Jam Nut	18-8 SS
10	Spring	A313 Type 631 SS
11	Spring Guide	B130 Alloy C22000
12	Upr Spring Retrnr	B584 Alloy C83600
12.1	Bushing-Spr. Stem	Acetal Resin
13	Pivot Bearing	B585 Alloy C83600
14	Flange Gasket	Rubber/Fabric
15	Bearing Socket	Acetal Resin
16	Hex Jam Nut	18-8 SS
17	Washer	302 SS
18	Flange Nut	Plated Steel
18.1	Flange Nut	Plated Steel
19	Cover	A36 Stl Epoxy Coated
24	Bolt	Plated Steel
24.1	Washer	Plated Steel
25	Nut	Plated Steel
26	Gasket	EPDM ASTM D2000
35	O-Ring	EPDM ASTM D2000
35.1	Back-Up Ring	Acetal Resin
36	Cover	B584 Alloy C83600
40	Ball Valve	B584 Alloy C84400
41	Nipple	Brass
41.1	Nipple	Brass
41.2	Nipple	Brass
42	Gate Valve	AWWA C509
60	Id Plate	B36 Alloy C26000
62	Drive Screw	SS
70	Clamp	AWWA 606

(10" Only, Not Shown Above)

Dimensions and Weights

Size: 2½" - 10" (65 - 250mm)

SIZE (DN)		DIMENSIONS															
		A		B		C*		D		G		H		NRS		OS&Y	
in.	mm	in.	mm	in.	mm	in.	mm	in.	mm	in.	mm	in.	mm	lbs.	kgs.	lbs.	kgs.
2½	65	40¾	1035	25½	648	12⅝	321	10	254	4½	114	7⅞	181	199	90	203	92
3	80	41⅞	1064	25⅝	651	12⅞	327	10	254	4½	114	7⅞	187	211	96	213	97
4	100	46¼	1175	28	711	14⅜	365	10⅞	257	5½	140	8⅞	206	288	131	312	142
6	150	56	1422	34¾	883	18⅞	479	12¾	324	6½	165	9⅞	251	450	204	494	224
8	200	65	1651	41¾	1061	23½	597	15⅝	397	7	178	11⅞	283	711	323	773	351
10	250	72⅝	1845	46⅝	1178	27½	699	15⅝	397	9	229	12⅜	314	980	445	1080	490

* With NRS Gate Valves

Note: Dimensions shown are nominal. Allowances must be made for normal manufacturing tolerances.



A Division of Watts Water Technologies, Inc.

USA: 4381 N. Brawley • Ste. 102 • Fresno, CA • 93722 • Tel. (559) 441-5300 • Fax: (559) 441-5301 • www.FEBCOonline.com
 Canada: 5435 North Service Rd. • Burlington, ONT. • L7L 5H7 • Tel. (905) 332-4090 • Fax: (905) 332-7068 • www.FEBCOonline.ca