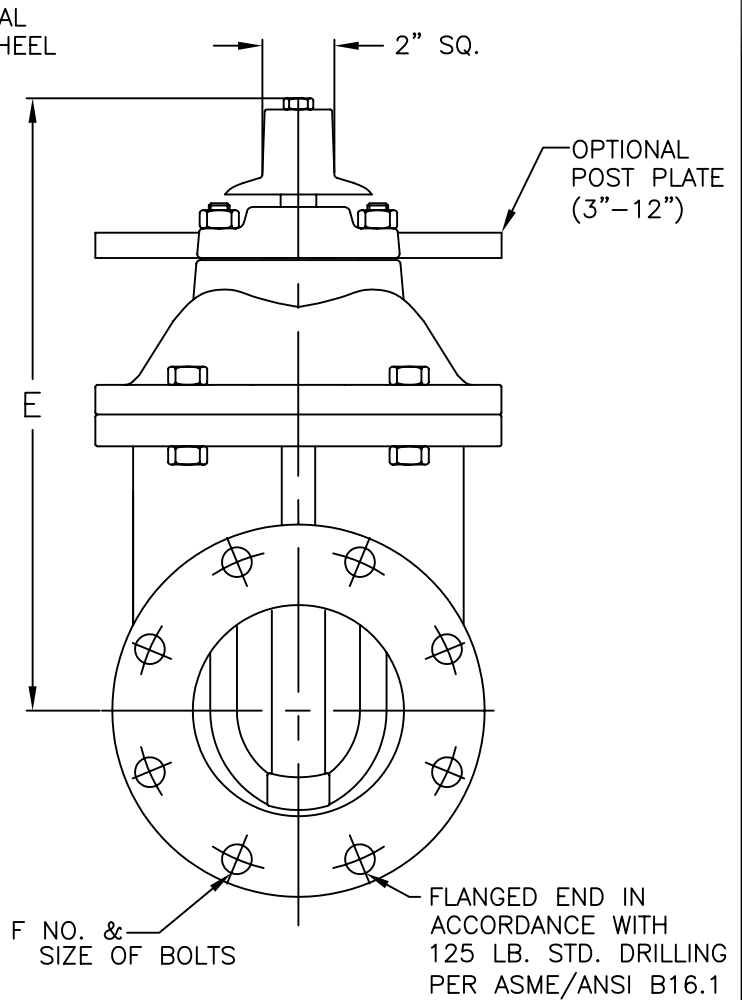
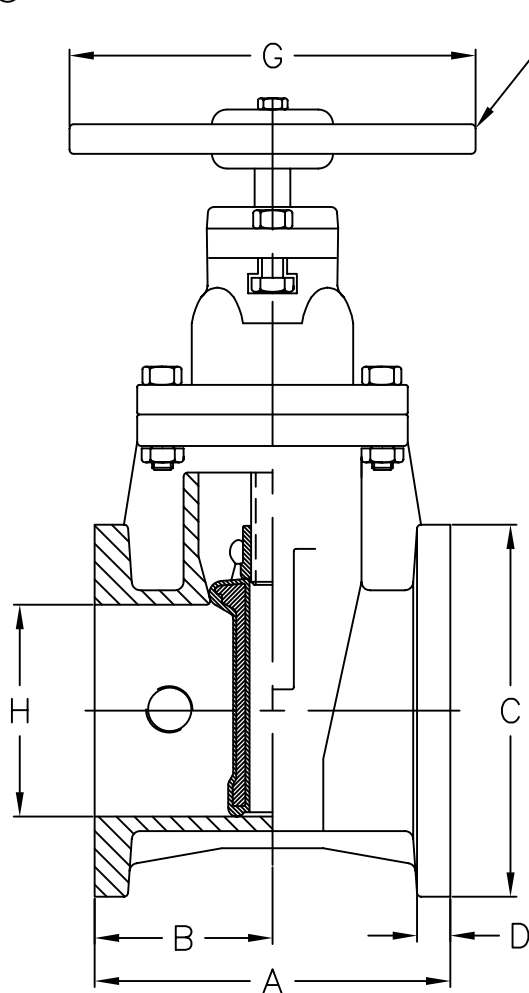


A.W.W.A Standard C509

8561AN  
8561A  
8701A

WITH 2" SQUARE NUT  
WITH HANDWHEEL  
WITH POST PLATE (3"-12")



VALVE SIZE	A	B	C	D	E	F	G	H	WEIGHT 2" NUT
**2	7	3 1/2	6	5/8	10 7/8	4 5/8	7 1/4	2	41
**2 1/2	7 1/2	3 3/4	7	11/16	11 3/8	4 5/8	7 1/4	2 1/2	51
3	8	4	7 1/2	3/4	12 3/8	4 5/8	10	3	62
4	9	4 1/2	9	15/16	14 3/4	8 5/8	10	4 1/4	87
6	10 1/2	5 1/4	11	1	19	8 3/4	12	6 1/4	134
8	11 1/2	5 3/4	13 1/2	1 1/8	22 1/2	8 3/4	14	8 1/4	205
10	13	6 1/2	16	1 3/16	26 1/2	12 7/8	18	10 1/4	331
12	14	7	19	1 1/4	30	12 7/8	18	12 1/4	515

\*HANDWHEEL--ADD 1# (2" - 2 1/2"), 6.5# (3"-4"), 7#(6"), 10#(8"), 16#(10" & 12")  
 \*INDICATOR POST PLATE ADD 16# (3"-12") ONLY  
 \*PALLET QUANTITIES 2" NUT: 46(2 1/2"), 30(3"), 40(4"), 21(6"), 8(8"), 6(10"), 4(12")  
 \*PALLET QUANTITIES HANDWHEEL: 36(2" & 2 1/2"), 30(3"), 40(4"), 21(6"), 8(8"), 6(10"), 4(12")  
 \*TURNS TO OPEN: 7 3/4(2"), 8(2 1/2"), 10(3"), 13 1/2(4"), 19 1/2(6"), 25 1/2(8"), 31 1/2(10"), 37 3/4(12")  
 \*\*2" and 2 1/2" not included in AWWA C509

KENNEDY VALVE  
ELMIRA, NEW YORK  
A DIVISION OF MCWANE INC.



DWN: TRIJ  
DATE: 7/1/05  
DWG. NO.  
SD-9

3" THRU 12"  
RESILIENT SEAT GATE VALVE  
C509-STYLE 8561AN  
FLANGED ENDS