

Fig. 103 - Hanger Rod Threaded Both Ends

Size Range — 3/8" thru 1½" rod

Material — Carbon Steel

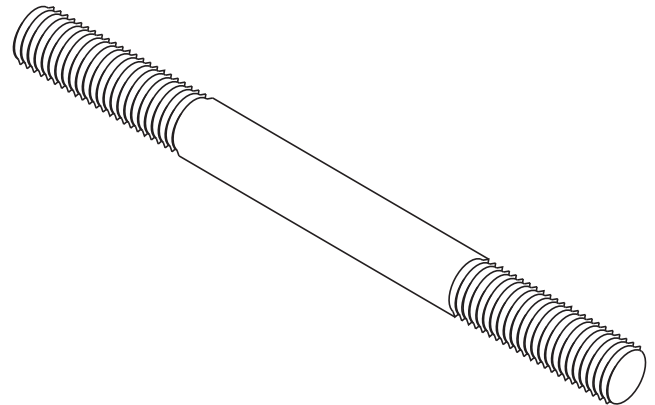
Function — Recommended for use as a hanger support in hanger assemblies. Rod is threaded on both ends with right hand threads of the length shown. Also available with left and right hand threads. Specify Fig. 103L when ordering.

Maximum Temperature — 750°F

Finish — Plain

Note — Available in Electro-Galvanized and HDG finish or Stainless Steel materials.

Order By — Figure number, rod size, length and finish



Dimensions

Rod Size A	Standard Length Thread	Max. Rec. Load Lbs. for Service Temps.	
		650°F	750°F
3/8	2½	610	540
1/2	2½	1130	1010
5/8	2½	1810	1610
3/4	3	2710	2420
7/8	3½	3770	3360
1	4	4960	4420
1¼	5	8000	7140
1½	6	11630	10370

Fig. 104 - "J" Bolt

Size Range — 3/8" thru 3/4" rod

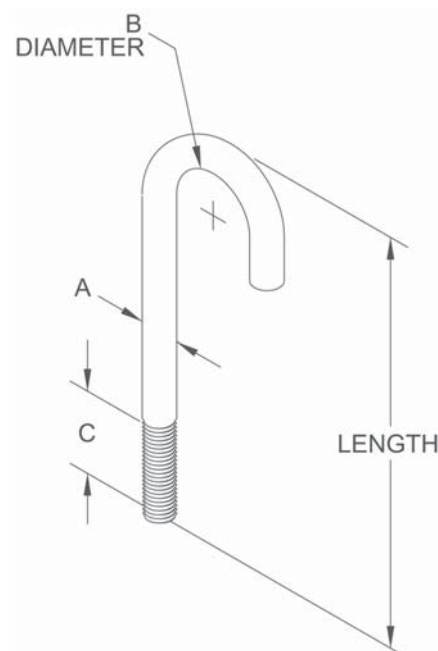
Material — Carbon Steel

Function — Designed to be hooked or hung from beam flange or purlin.

Finish — Plain

Note — Available in Electro-Galvanized and HDG finish or Stainless Steel materials.

Order By — Figure number, rod size, length and finish



Dimensions

Rod Size A	Radius B	C	Max. Rec. Load Lbs.
3/8	1/2	2½	240
1/2	5/8	2½	440
5/8	3/4	2½	705
3/4	7/8	2½	1050