

Fig. 310 - Steel Spot Concrete Insert

Material — Carbon Steel

Function — Fig. 310 is for use as a structural attachment in concrete ceilings. Knockout plug is designed to protect against concrete seepage. Place insert face down on concrete form and nail in place. Reinforcing rods may be positioned under flange lips. Specified load ratings and approvals are not dependent on the use of any reinforcing rods in contact with the insert. Pour concrete, strip forms, place screwdriver tip in slot of knockout plug and twist sharply. Insert square nut (Fig. 310N) and run rod through nut until tight against top of insert, turn rod one-half turn to lock and protect against vibration.

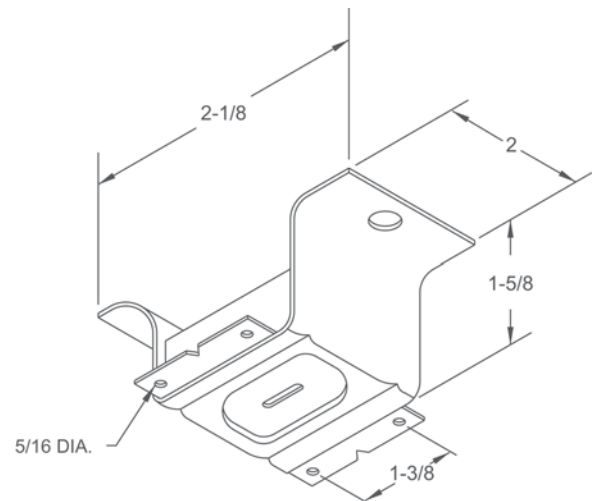
Note — Other Manufacturers Insert Nuts are not necessarily compatible with TOLCO® Fig. 310 (Spot Inserts). Therefore it is recommended that TOLCO Fig. 310N (Spot Insert Nuts) be ordered concurrently with Fig. 310 (Spot Inserts).

Approvals — Conforms to Federal Specification WW-H-171E, Type 19 and Manufacturers Standardization Society SP-69, Type 18.

Finish — Plain

Note — Available in Electro-Galvanized finish

Order By — Figure number and finish. Order Fig. 310N (Spot Insert Nuts) separately.



Dimensions • Weights

Max. Rec. Load Lbs.*	Approx. Wt./100
600	53

* Based on a straight pull of 600 lbs.

Fig. 310N - Steel Spot Insert Nut

Size Range — 1/4" thru 7/8" rod size

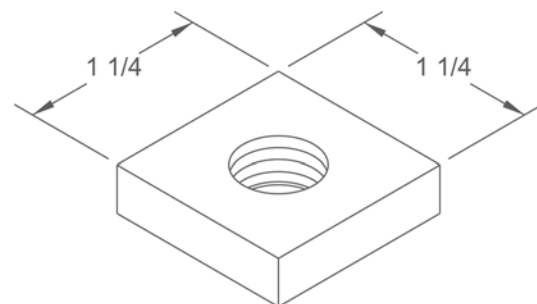
Material — Carbon Steel

Function — Fig. 310N is for use with Fig. 310 Spot Concrete Insert for means of rod attachment.

Note — Other Manufacturers' spot inserts are not necessarily compatible with TOLCO Fig. 310N (Spot Insert Nuts). Therefore it is recommended that TOLCO Fig. 310 (Spot Insert) be ordered concurrently with Fig. 310N (Spot Insert Nuts).

Finish — Plain

Note — Available in Electro-Galvanized finish



Dimensions • Weights

Rod Size	Max. Rec. Load Lbs.*	Approx. Wt./100
1/4	240	8
3/8	600	13
1/2	600	12
5/8	600	11
3/4	600	10
7/8	600	9

* Based on straight pull of 600 lbs. when used with Fig. 310.