

Fig. 312 - Adjustable Pipe Support

Size Range — Size 2" thru 12" pipe

Material — Carbon Steel

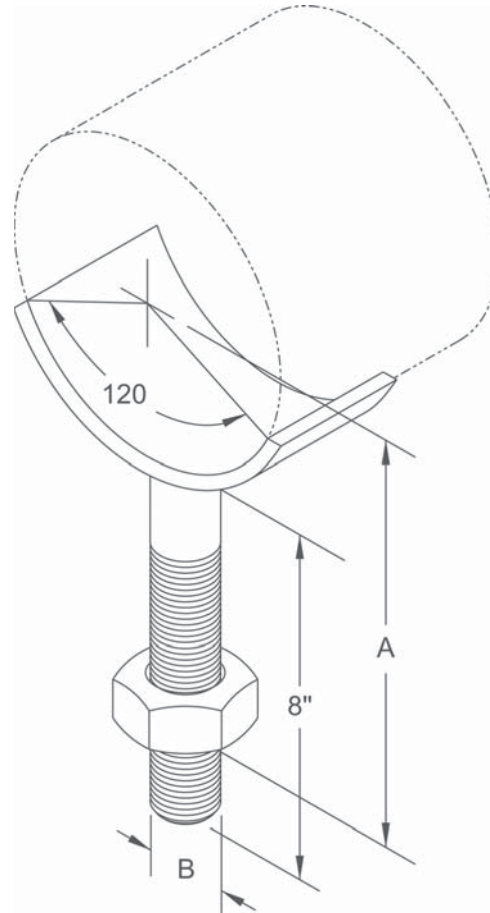
Function — Designed to support horizontal pipe from floor stanchion where vertical adjustment is required.

Maximum Temperature — 650°F

Finish — Plain

Note — Available in Electro-Galvanized and HDG finish or Stainless Steel materials.

Order By — Figure number, pipe size and finish



Dimensions • Weights

Pipe Size	Max. O.D. Pipe	A		B	Use with Fig. 316 Stand Pipe Size	Approx. Wt./100
		Min.	Max.			
2	2 $\frac{3}{8}$	2 $\frac{3}{4}$	6	7/8	1	210
2 $\frac{1}{2}$	2 $\frac{7}{8}$	3 $\frac{1}{4}$	6 $\frac{1}{2}$	7/8	1	219
3	4	3 $\frac{1}{2}$	6 $\frac{3}{4}$	7/8	1	240
3 $\frac{1}{2}$	4	3 $\frac{1}{2}$	6 $\frac{3}{4}$	7/8	1	240
4	4 $\frac{7}{8}$	4 $\frac{1}{4}$	7 $\frac{1}{2}$	1	1	340
5	5 $\frac{5}{8}$	4 $\frac{1}{2}$	7 $\frac{3}{4}$	1	1	360
6	7	5 $\frac{5}{8}$	8 $\frac{3}{8}$	1 $\frac{1}{4}$	1 $\frac{1}{4}$	580
8	9 $\frac{1}{8}$	6 $\frac{3}{4}$	9 $\frac{1}{2}$	1 $\frac{1}{4}$	1 $\frac{1}{4}$	640
10	11 $\frac{1}{8}$	8	10	1 $\frac{1}{4}$	1 $\frac{1}{4}$	1060
12	13 $\frac{1}{2}$	9 $\frac{1}{4}$	11 $\frac{1}{4}$	1 $\frac{1}{4}$	1 $\frac{1}{4}$	1060