

Fig. 331 - Turnbuckle

Size Range — 3/8" thru 2" machine thread

Material — Forged Steel

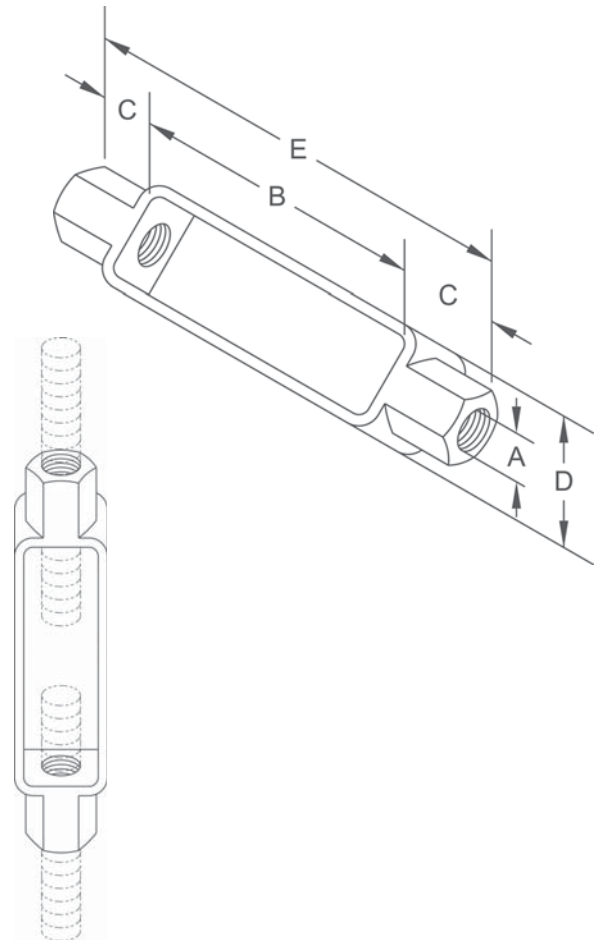
Function — Standard turnbuckle tapped right and left hand which provides 6" take up (3" rod take out).

Approvals — Conforms to Federal Specification WW-H-171E, Type 13, 3/8" thru 1½" rod, and Manufacturers Standardization Society SP-69, Type 13.

Finish — Plain

Note — Available in Electro-Galvanized and HDG finish.

Order By — Figure number, rod size and finish



Dimensions • Weights						
Rod Size A	B	C	D	E	Max. Rec. Load Lbs.	Approx. Wt./100
3/8	6	9/16	7/8	7 1/8	610	42
1/2	6	3/4	1 1/8	7 1/2	1130	65
5/8	6	15/16	1 3/8	7 7/8	1810	98
3/4	6	1 1/8	1 11/16	8 1/4	2270	145
7/8	6	1 5/16	1 5/16	8 5/8	3770	185
1	6	1 1/2	2 1/4	9	4960	260
1 1/8	6	1 9/16	2 5/8	9 1/8	6230	406
1 1/4	6	1 9/16	2 5/8	9 1/8	8000	400
1 1/2	6	1 7/8	3	9 3/4	11630	615
1 3/4	6	2 3/16	3 5/8	10 3/8	15690	980
2	6	2 1/2	4 3/16	11	20690	1400