

Fig. 42 - Angle Bracket

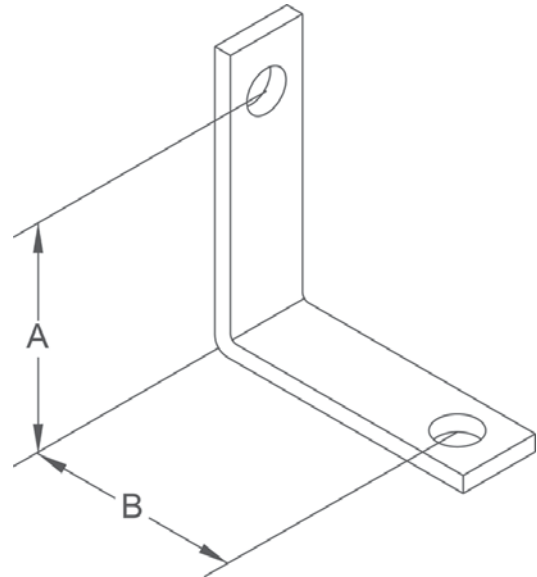
Material — Carbon Steel

Function — Recommended for supporting pipe at various distances from wall or column.

Finish — Plain

Note — Available in Electro-Galvanized and HDG finish or Stainless Steel materials.

Order By — Figure number, size and finish



Dimensions • Weights

Size	A	B	Hole Size	Max. Rec. Load Lbs.	Approx. Wt./100
1	3	2	7/16	180	46
2	4	3	7/16	180	65
3	3	2	9/16	390	85
4	4	3	9/16	390	115

Fig. 50 - Side Beam Bracket

Size Range — 3/8" thru 7/8" rod

Material — Carbon Steel

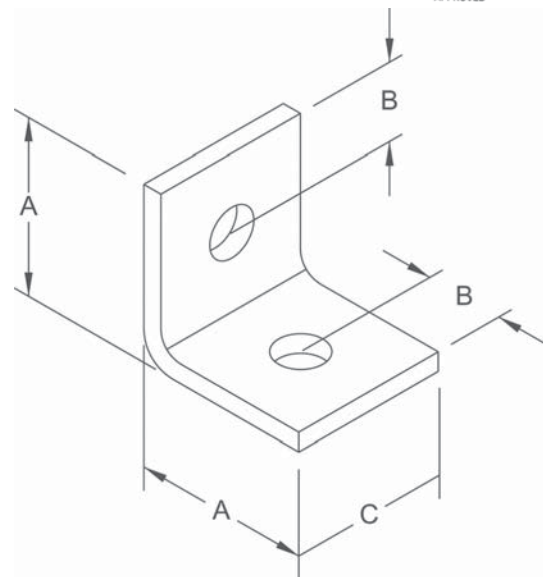
Function — Recommended for attaching hanger rod to side of beams or walls.

Approvals — 3/8", Underwriters' Laboratories Listed in the USA (UL) and Canada (cUL), and Factory Mutual Engineering approved.

Finish — Plain

Note — Available in Electro-Galvanized and HDG finish or Stainless Steel materials.

Order By — Figure number, rod size and finish



Dimensions • Weights

Rod Size	A	B	C	Hole Size	Max. Rec. Load Lbs.	Approx. Wt./100
3/8	2	3/4	2	7/16	700	35
1/2	2	3/4	2	9/16	700	35
5/8	2	3/4	2	11/16	700	32
3/4	2½	3/4	2½	13/16	1250	110
7/8	2½	3/4	2½	15/16	1250	100