

Fig. 51 - Side Beam Bracket for NFPA Rod and Fastener Sizing

Size Range — 3/8" and 1/2" rod, 1/2" thru 8" pipe

Material — Carbon Steel

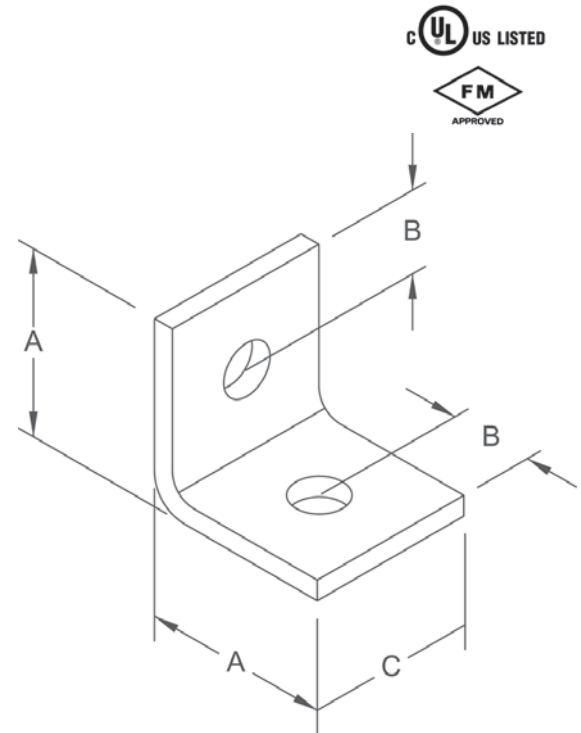
Function — Recommended for attaching hanger rod to side of beams or walls. Designed to accommodate current rod schedule and fastener requirements per National Fire Protection Association (NFPA) Pamphlet 13.

Approvals — Underwriters' Laboratories Listed in the USA (**UL**) and Canada (**cUL**), and Factory Mutual Engineering approved.

Finish — Plain

Note — Available in Electro-Galvanized and HDG finish or Stainless Steel materials.

Order By — Figure number, rod size and finish



Dimensions • Weights

Pipe Size	Rod Size	A	B	C	Hole Size		Max. Rec. Load Lbs.	Approx. Wt./100
					H-1	H-2		
1/2 - 2	3/8	2	3/4	2	7/16	7/16	700	35
2½ - 4	3/8	2	3/4	2	9/16	7/16	700	34
5 - 6	1/2	2½	3/4	2½	9/16	9/16	1250	71
8	1/2	2½	3/4	2½	11/16	9/16	1250	70