

## Fig. 98 - Rod Stiffener

## Fig. 98B - Rod Stiffener w/Break-off Bolt Head

Component of State of California OSHPD Approved Seismic Restraints System

**Size Range** — Secures 3/8" thru 7/8" hanger rod

**Material** — Carbon Steel

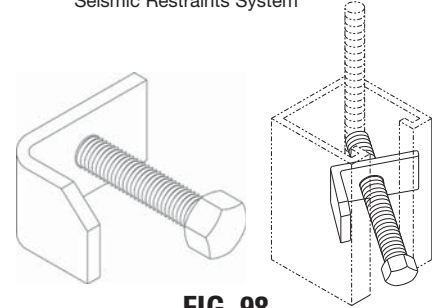
**Function** — Secures channel to hanger rod for vertical seismic bracing.

**Approvals** — Included in our [Seismic Restraints Catalog](#) approved by the State of California Office of Statewide Health Planning and Development (**OSHPD**). For additional load, spacing and placement information relating to OSHPD projects, please refer to the [TOLCO Seismic Restraint Systems Guidelines](#)

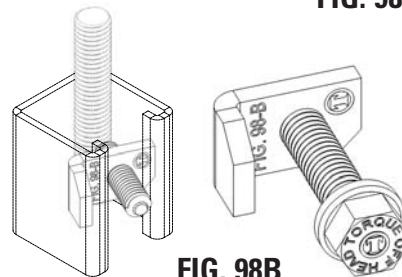
**Finish** — Electro Galvanized

**Note** — Available in HDG finish or Stainless Steel materials.

**Order By** — Figure number



**FIG. 98**



**FIG. 98B**

## Fig. 99 - All Thread Rod Cut to Length

**Size Range** — Secures 3/8" thru 7/8" rod in 1" increments

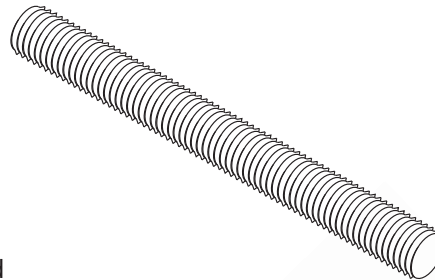
**Material** — Carbon Steel

**Maximum Temperature** — 750°F

**Finish** — Plain

**Note** — Available in Electro-Galvanized and HDG finish or Stainless Steel materials.

**Order By** — Figure number, rod diameter, rod length and finish



### Dimensions

| Rod Size | Max. Rec. Load Lbs. For Service Temp 650°F |
|----------|--|
| 3/8      | 730  |
| 1/2      | 1350                                       |
| 5/8      | 2160                                       |
| 3/4      | 3230                                       |
| 7/8      | 4480                                       |

## Fig. 100 - All Thread Rod Full Length

**Size Range** — Secures 3/8" thru 1½" rod in 10' lengths

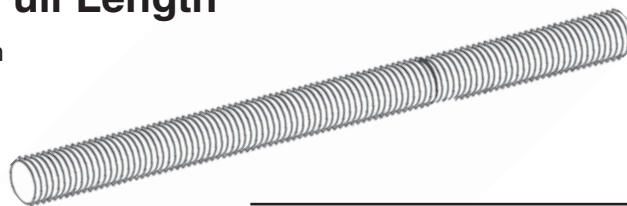
**Material** — Carbon Steel

**Maximum Temperature** — 750°F

**Finish** — Plain

**Note** — Available in Electro-Galvanized and HDG finish or Stainless Steel materials.

**Order By** — Figure number, rod diameter and finish



### Dimensions • Weights

| Rod Size | Max Rec. Load Lbs. For Service Temps 650°F | Approx. Wt./100 |
|----------|--|-----------------|
| 1/4      | 240  | 12              |
| 3/8      | 730  | 29              |
| 1/2      | 1350                                       | 53              |
| 5/8      | 2160                                       | 84              |
| 3/4      | 3230                                       | 123             |
| 7/8      | 4480                                       | 169             |
| 1        | 5900                                       | 222             |
| 1¼       | 9500                                       | 360             |
| 1½       | 13800                                      | 510             |