



FOR DRY SYSTEMS **Model 3011BV**

INSPECTOR'S TEST[®]

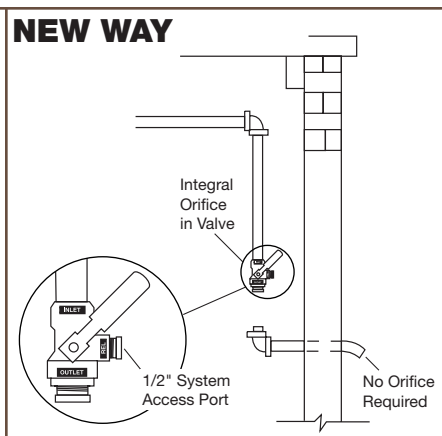
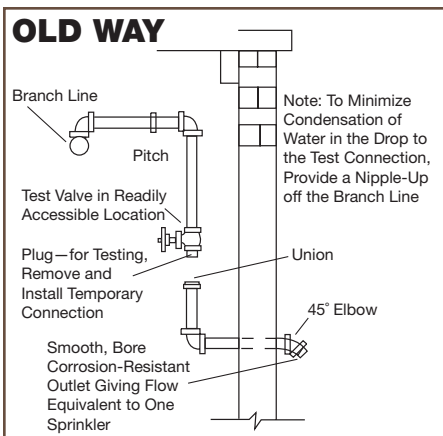
Remote Inspector's Test for Single Story Applications with Dry Systems



1"



- The AGF Manufacturing Inc. **Model 3011BV INSPECTOR'S TEST** is designed to perform the remote inspector's test function as required for dry pipe systems by NFPA 13, 2007 Edition (see reverse).
- The **Model 3011BV INSPECTOR'S TEST** is a single handle bronze ball valve rated at 300 PSI.
- Available with test orifice sizes of $\frac{3}{8}$ " (2.8K), $\frac{7}{16}$ " (4.2K), $\frac{1}{2}$ " (5.6K), $\frac{17}{32}$ " (8.0K), and $\frac{5}{8}$ " (11.2K, ELO).
- The **Model 3011BV INSPECTOR'S TEST** is also available with optional sight glass as the **Model 3011SG**. Other products available in the 3011 family include the **Model 3011A** (which includes a **Model 7000 Pressure Relief Valve** with drainage piping) and the **Model 3011ASG**, (which includes a sight glass, along with the **Model 7000 Pressure Relief Valve** with drainage piping.)



ADVANTAGES

- Hours spent testing, draining, reactivating, and component installation are now reduced to minutes.
- Sight glass option saves time witnessing flow from the exterior of the building.

Reliability, Versatility, Code Compatibility



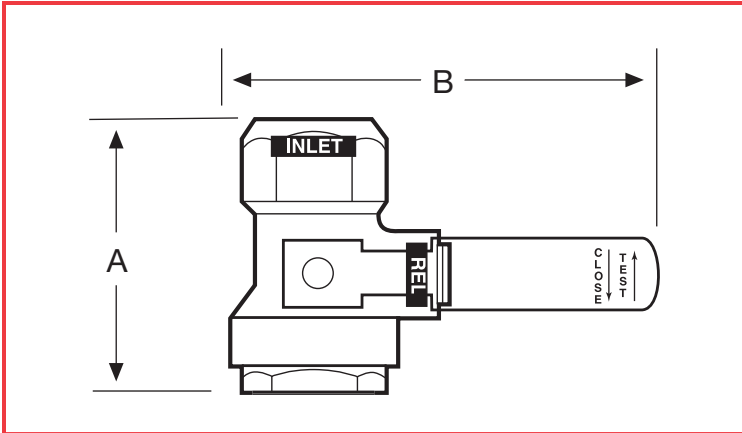
FOR DRY SYSTEMS **Model 3011BV**



INSPECTOR'S TEST[®]

Model 3011 300 PSI Bronze Ball Valve

MODEL 3011BV



DIMENSIONS

Orifice Size Available: 3/8", 7/16", 1/2", 17/32", ELO (5/8")

Model	A	B
3011	3 1/16" (75 mm)	4 11/16" (118 mm)

MATERIALS

Handle: Steel
 Stem: Rod Brass
 Ball: C.P. Bronze
 Body: Bronze
 Valve Seat: Virgin Teflon[®]
 Sight Glass: Bronze & Glass
 Hex Plug: Brass

THE MODEL 3011BV PROVIDES ALL OF THE FOLLOWING...

From the 2007 Edition of NFPA 13:

Paragraph 8.17.4.3.1, 8.17.4.3.2 Dry Pipe Systems

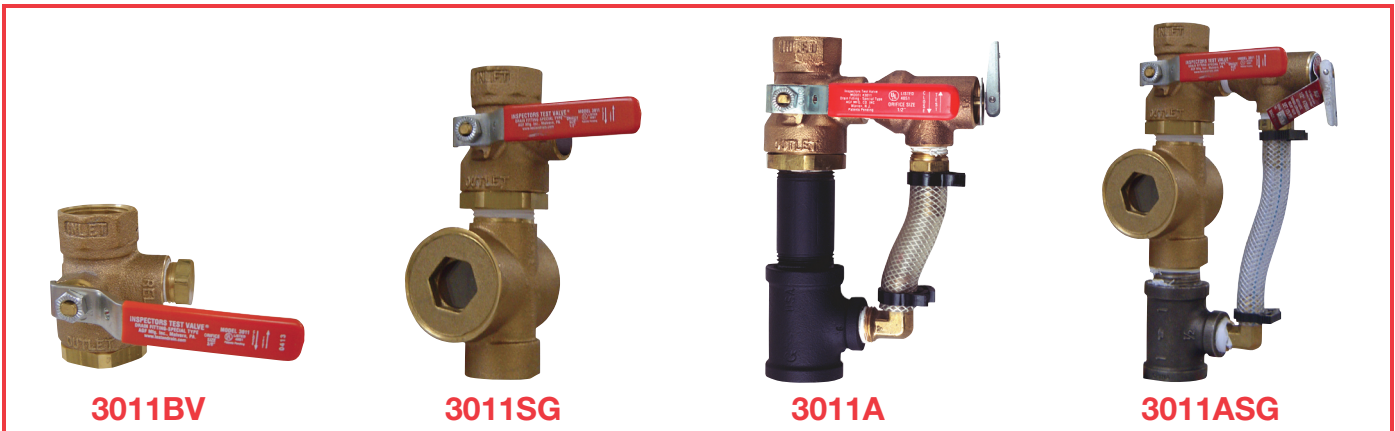
A trip test connection not less than 1" (25 mm) in diameter terminating in a smooth bore corrosion-resistant orifice, to provide flow equivalent to one sprinkler of a type installed on the trip test connection, shall be located on the end of the most distant sprinkler pipe in the upper story and shall be equipped with a readily accessible shutoff valve and plug not less than 1" (25 mm) at least one of which shall be brass.

APPROVALS

UL and ULC Listed: EX4019
 FM Approved
 NYC-BSA No. 720-87-SM



THE MODEL 3011 FAMILY...



USA Patent # 4971109 and Other Patents Pending



AGF Manufacturing Inc.
 100 Quaker Lane, Malvern, PA 19355
 T: 610-240-4900 / F: 610-240-4906
 E-mail: info@testandrain.com
 www.testandrain.com

Job Name: _____
 Architect: _____
 Engineer: _____
 Contractor: _____