

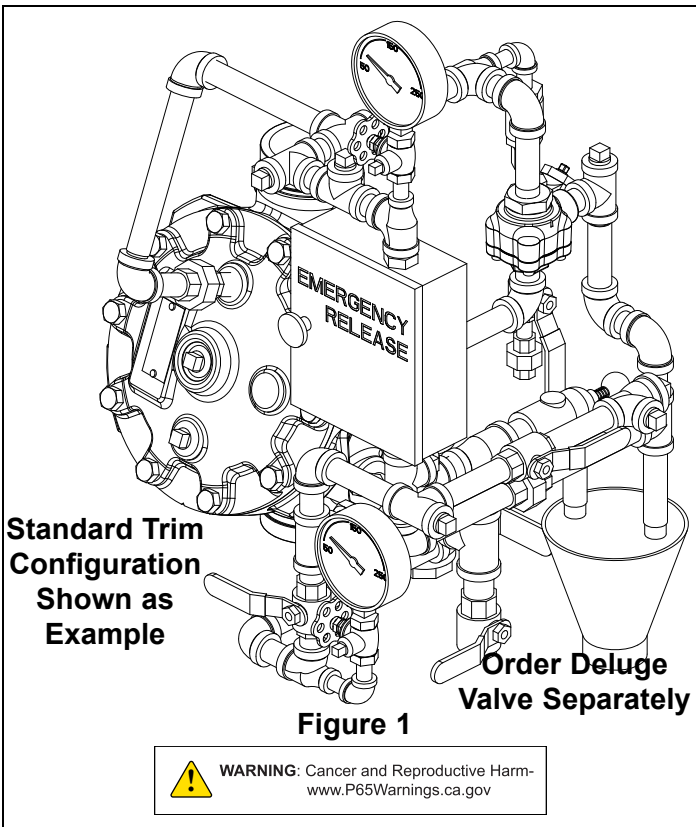


# TECHNICAL DATA

**2-1/2" & 3" (DN65 & DN80) MODEL F DELUGE VALVE VERTICAL CONVENTIONAL TRIM CHART**  
 Maximum 250 PSI Water Working Pressure

The Viking Corporation, 210 N Industrial Park Drive, Hastings MI 49058

Telephone: 269-945-9501 Technical Services: 877-384-5464 Fax: 269-818-1680 Email: techsvcs@vikingcorp.com



This Trim Chart is for use with the following Viking Trim Sets			
Valve Size	Galvanized Trim Part No.	U.S. ONLY (galvanized)	Brass Trim Part No.
2-1/2" & 3" (DN65 & DN80)	14636-1 Figure 2	14636-1USA Figure 3	14636-2 Figure 2
This Trim is for use with the following Release Module Trim Kits			
Release Type	Galvanized*	Brass**	
Pneumatic	10809	10811	
Electric	10830	10832	
Electric/Pneumatic	12661-1	12661-2	
Pneumatic/Pneumatic	12662-1	12662-2	
* Standard Trim sets for Model F Deluge Valves consist of galvanized nipples and fittings. **Refer to Technical Data describing the Halar® Coated Deluge Valve and the Viking Website for applications where brass trim is recommended. <b>Note:</b> Nipple lengths for brass trim may vary from those shown on this Trim Chart.			

**Notes: For use with Trim Charts on Pages 2 and 3**

**General Notes:**

- Valve must be trimmed as shown. Any deviation from trim size or arrangement may affect the proper operation of the valve.
- All pipe and fittings shall be galvanized or brass except when other materials are specified in the Technical Data for the Halar® Coated Deluge Valve.
- Gauges are brass as furnished with trim.
- When Model F Deluge Valves are used on pre-mixed Foam Systems, trim piping must be of copper pipe with brass fittings unless otherwise specified in the Technical Data for the Halar® Coated Deluge Valve or on the Viking website.
- Dimensions in parentheses are millimeter and may be approximations.

- Note 1:** 1/2" (15 mm) NPT plugged outlet provided for connecting certain optional components and associated trim.
- Note 2:** Release System connection. Viking Deluge and Flow Control Valves are compatible with hydraulic, pneumatic, and electric release systems. A Pneumatic Actuator is required on all Viking Deluge Valves and Flow Control Valves equipped with Pneumatic Release Systems.
- Note 3:** Alarm Connections: Connect alarm line piping to 3/4" (20 mm) NPT outlet. When using a Water Motor Alarm, a strainer is required. 1/2" (15 mm) NPT outlet is for electric Alarm Pressure Switch.
- Note 4:** Optional non-interruptible connection for Alarm Pressure Switch to activate electric alarm panel. Note: After the Deluge Valve trips, this location cannot be shut off. Alarms may operate until the outlet chamber of the deluge valve is de-pressurized below the set point of the Alarm Pressure Switch.
- Note 5:** Viking Drain Check Valve is manufactured with a 0.067" (1.7 mm) orifice to allow alarm line to drain. DO NOT substitute. Check Figure 2 for proper orientation.
- Note 6:** Inlet side of PORV is connected to the top chamber of the deluge valve. Inlet of PORV should be facing up. Outlet goes to open drain.



# TECHNICAL DATA

## 2-1/2" & 3" (DN65 & DN80) MODEL F DELUGE VALVE VERTICAL CONVENTIONAL TRIM CHART

Maximum 250 PSI Water Working Pressure

The Viking Corporation, 210 N Industrial Park Drive, Hastings MI 49058

Telephone: 269-945-9501 Technical Services: 877-384-5464 Fax: 269-818-1680 Email: techsvcs@vikingcorp.com

Refer to page 1 for General Notes and Notes 1 through 6.

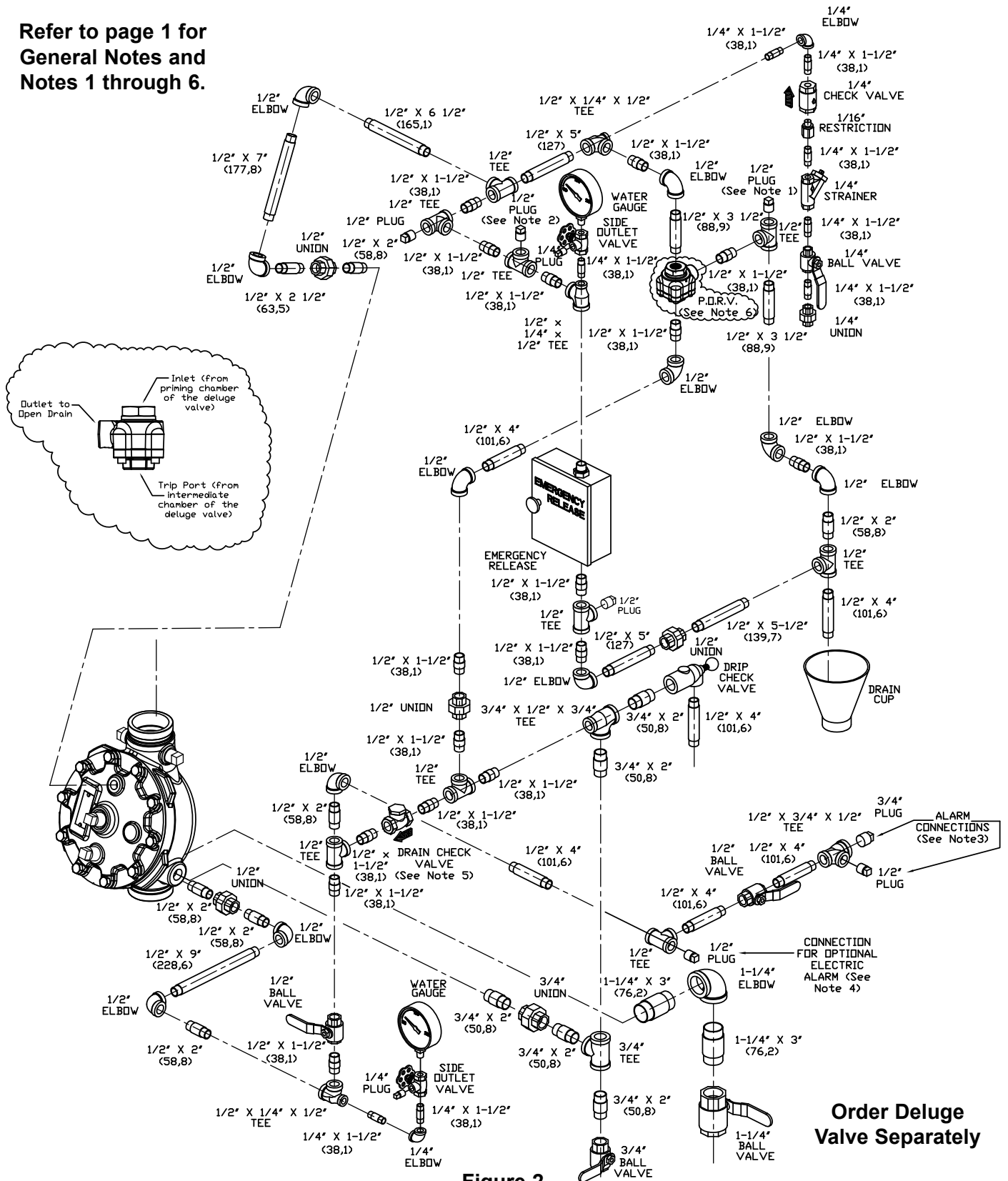


Figure 2

**Order Deluge Valve Separately**



# TECHNICAL DATA

## 2-1/2" & 3" (DN65 & DN80) MODEL F DELUGE VALVE VERTICAL CONVENTIONAL TRIM CHART

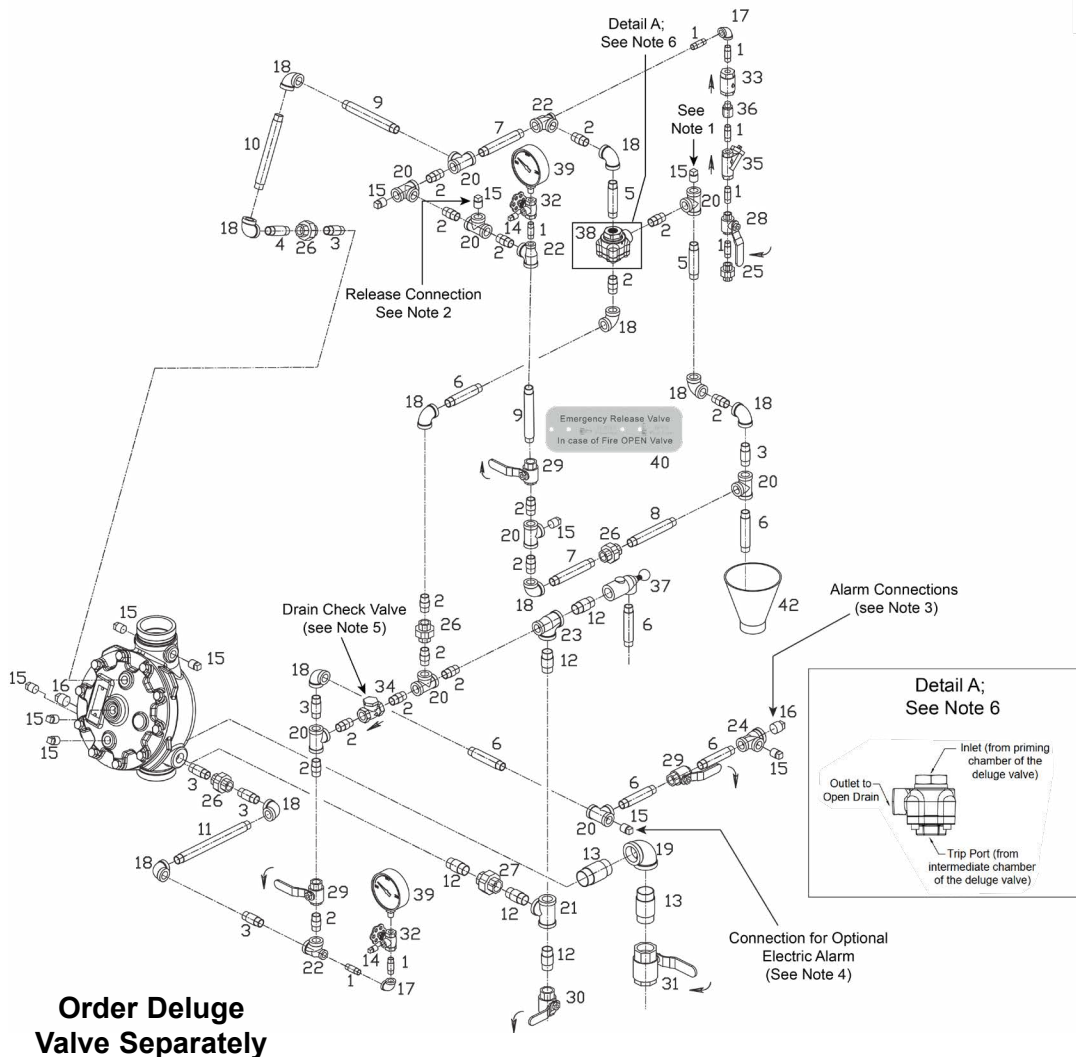
Maximum 250 PSI Water Working Pressure

The Viking Corporation, 210 N Industrial Park Drive, Hastings MI 49058

Telephone: 269-945-9501 Technical Services: 877-384-5464 Fax: 269-818-1680 Email: techsvcs@vikingcorp.com

Figure 3

Refer to page 1 for General Notes and Notes 1 through 6.



ITEM	DESCRIPTION	REQ.
1	NIPPLE, 1/4" x 1 1/2"	8
2	NIPPLE, 1/2" x 1 1/2"	16
3	NIPPLE, 1/2" x 2"	6
4	NIPPLE, 1/2" x 2 1/2"	1
5	NIPPLE, 1/2" x 3 1/2"	2
6	NIPPLE, 1/2" x 4"	6
7	NIPPLE, 1/2" x 5"	2
8	NIPPLE, 1/2" x 5 1/2"	1
9	NIPPLE, 1/2" x 6 1/2"	2
10	NIPPLE, 1/2" x 7"	1
11	NIPPLE, 1/2" x 9"	1
12	NIPPLE, 3/4" x 2"	5
13	NIPPLE, 1 1/4" x 3"	2
14	PLUG, 1/4"	2
15	PLUG, 1/2"	11
16	PLUG, 3/4"	2
17	ELBOW, 1/4"	2
18	ELBOW, 1/2"	11
19	ELBOW, 1 1/4"	1
20	TEE, 1/2"	9
21	TEE, 3/4"	1
22	TEE, 1/2" x 1/4" x 1/2"	3
23	TEE, 3/4" x 1/2" x 3/4"	1
24	TEE, 3/4" x 1/2" x 1/2"	1
25	UNION, 1/4"	1
26	UNION, 1/2"	4
27	UNION, 3/4"	1
28	BALL VALVE, 1/4"	1
29	BALL VALVE, 1/2"	3
30	BALL VALVE, 3/4"	1
31	BALL VALVE, 1 1/4"	1
32	SIDE OUTLET VALVE	2
33	CHECK VALVE, 1/4"	1
34	DRAIN CHECK VALVE	1
35	STRAINER, 1/4"	1
36	RESTRICTION, 1/16"	1
37	DRIP CHECK VALVE	1
38	P.D.R.V. ASSEMBLY	1
39	WATER GAUGE	2
40	EMERGENCY RELEASE LABEL	1
41	ZIP TIE	1
42	DRAIN CUP	1



# TECHNICAL DATA

## 2-1/2" & 3" (DN65 & DN80) MODEL F DELUGE VALVE VERTICAL CONVENTIONAL TRIM CHART

Maximum 250 PSI Water Working Pressure

The Viking Corporation, 210 N Industrial Park Drive, Hastings MI 49058

Telephone: 269-945-9501 Technical Services: 877-384-5464 Fax: 269-818-1680 Email: techsvcs@vikingcorp.com

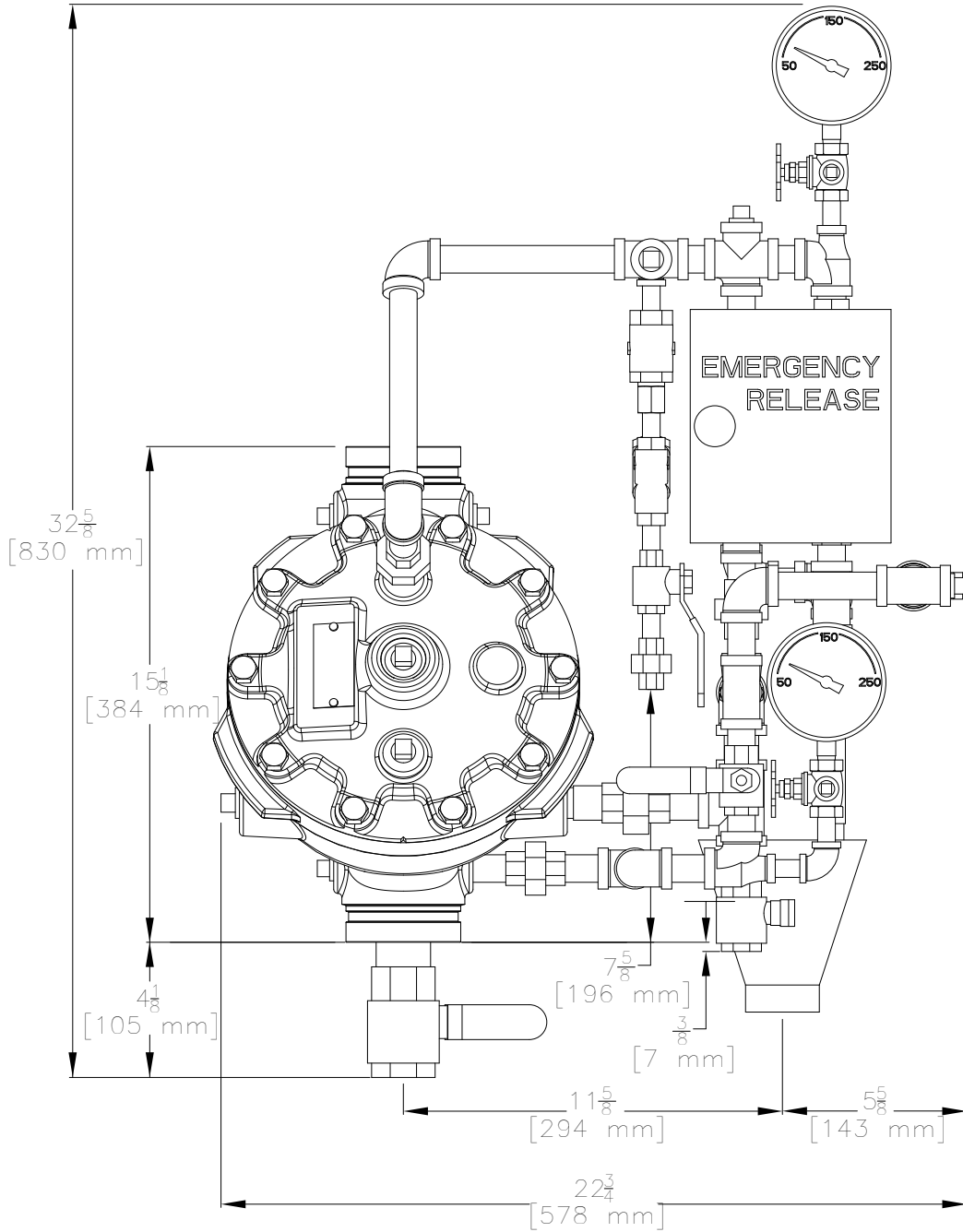


Figure 4: Installation Dimensions - Front View



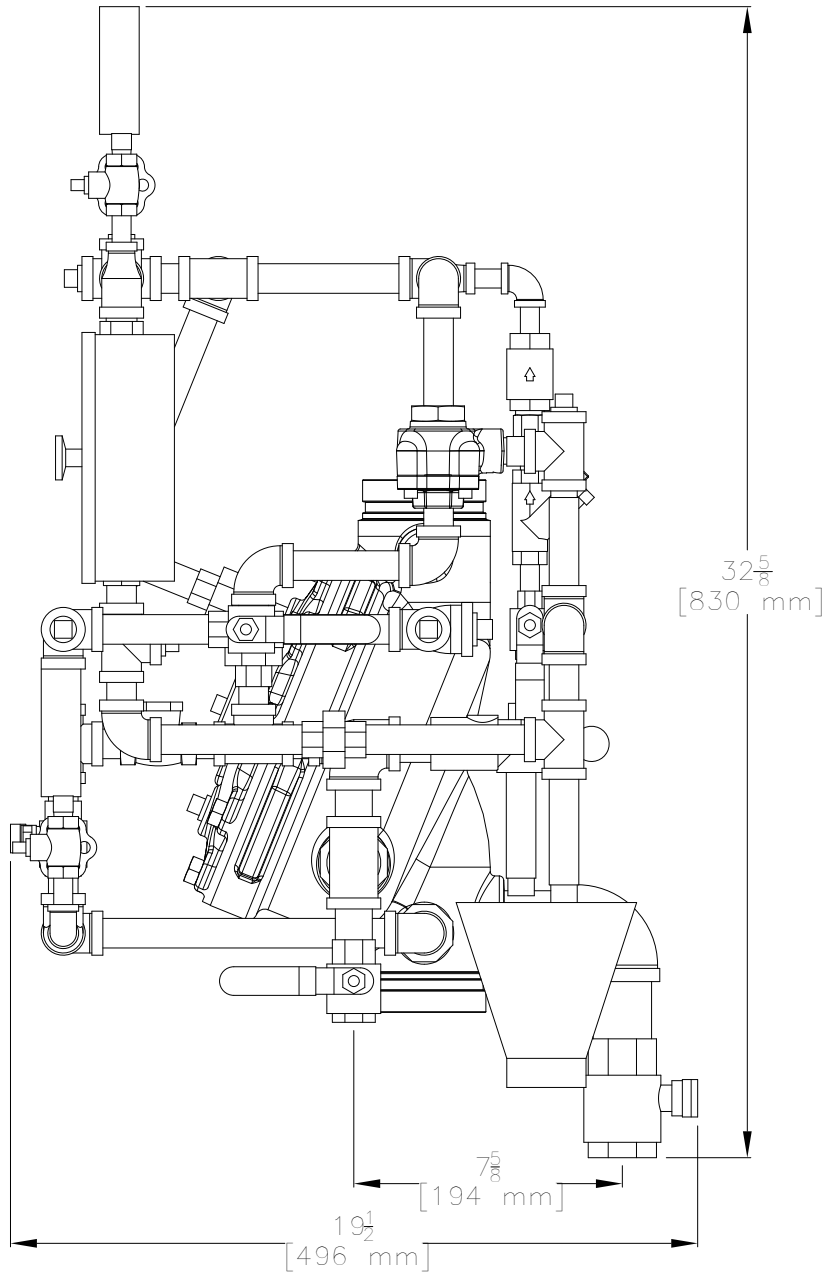
**TECHNICAL DATA**

**2-1/2" & 3" (DN65 & DN80) MODEL F DELUGE VALVE VERTICAL CONVENTIONAL TRIM CHART**

Maximum 250 PSI Water Working Pressure

The Viking Corporation, 210 N Industrial Park Drive, Hastings MI 49058

Telephone: 269-945-9501 Technical Services: 877-384-5464 Fax: 269-818-1680 Email: techsvcs@vikingcorp.com



**Figure 5: Installation Dimensions - Side View**