



**Deluge Foam/Water Fire Sprinkler System  
Supplied by Bladder Tank**

**Technical Data Sheet Submittal Package**

**for the**

**Viking SFFF USP & ARK Concentrates**



# TECHNICAL BULLETIN

## DELUGE FOAM/WATER SYSTEM SUPPLIED BY BLADDER TANK

The Viking Corporation, 210 N Industrial Park Drive, Hastings MI 49058

Telephone: 269-945-9501 Technical Services: 877-384-5464 Fax: 269-818-1680 Email: techsvcs@vikingcorp.com

Visit the Viking website for the latest edition of this technical data page [www.vikinggroupinc.com](http://www.vikinggroupinc.com)

### 1. DESCRIPTION

A Deluge Foam/Water System Supplied by Bladder Tank is a standard deluge system capable of discharging a foam/water solution automatically through open sprinklers, spray nozzles, monitor nozzles, and other discharge devices. This system consists of a standard Viking deluge valve with standard trim, detection and releasing devices as well as a ratio controller, a concentrate control valve (CCV), and a bladder tank.

### 2. LISTINGS AND APPROVALS

No formal approval as a Deluge System. Main component and sub-system approvals below:

- Deluge Valve and Trim  
UL Listed - Guide VLFT  
FM Approved - Automatic Water Control Valves
- Model VNR Wide Range Proportioner  
FM Approved - Low Expansion Foam Systems
- Model F2 or J2 Coated Concentrate Control Valve (CCV)  
UL Listed - Guide VLFT  
FM Approved - Automatic Water Control Valve as standard deluge valve. No formal approval available for coating.
- Model VFT Viking Bladder Tank - with ASME Section VIII and/or EN13455 Design Code  
UL Listed - Guide GHXV  
FM Approved - Low Expansion Foam Systems
- Viking ARK (3% AR-SFFF) Fluorine Free Foam Concentrate  
FM Approved
- Viking USP (3% SFFF) Fluorine Free Foam Concentrate  
UL Listed  
FM Approved

### 3. TECHNICAL DATA

#### Specifications:

Refer to individual component technical data page.

#### Material Standards:

Refer to individual component technical data page.

#### Ordering Information:

Please contact your local Viking office or distributor.

### 4. INSTALLATION

#### A. Discharge Devices

- Standard Spray Open Sprinklers (refer to water/foam sprinkler data page)
- Model VFM Foam Makers
- Standard Spray Sprinklers (refer to water/foam sprinkler data page)
- Non-aspirating spray nozzles
- Manual monitors
- Hose reels and hand lines

#### B. General Instructions and Warnings

1. Refer to specific technical data sheets, FM Global Property Loss Prevention Data Sheet 4-12, acceptable installation standards, codes, and Authority Having Jurisdiction for additional installation, operation, and maintenance instructions.
2. Inspections - It is imperative that the system is inspected and tested on a regular basis. See Section 6 - Inspections, Tests, and Maintenance.
3. The valve, trim, and assembly must be installed in an area not subject to freezing temperatures or physical damage.

#### WARNING

**After the proportioning system is tested or activated, foam concentrate needs to be flushed from the pipe network downstream of the concentrate control valve. Connect a water supply to the commissioning valve on the concentrate line and flush through the test header.**



## TECHNICAL BULLETIN

### DELUGE FOAM/WATER SYSTEM SUPPLIED BY BLADDER TANK

The Viking Corporation, 210 N Industrial Park Drive, Hastings MI 49058

Telephone: 269-945-9501 Technical Services: 877-384-5464 Fax: 269-818-1680 Email: techsvcs@vikingcorp.com

Visit the Viking website for the latest edition of this technical data page [www.vikinggroupinc.com](http://www.vikinggroupinc.com)

### C. Design and Installation

The following guidance is given with reference to the general system schematics (Figures) detailed later in this document.

#### ⚠ WARNING

**Any system maintenance or testing that involves placing a control valve or detection system out of service may eliminate the fire protection of that system. Prior to proceeding, notify all Authorities Having Jurisdiction. Consideration should be given to employment of a fire patrol in the affected area.**

1. Install the deluge valve and trim (C) in accordance with the relevant Viking technical data page.
2. Install the proportioning device (B) in the system riser in accordance with the proportioner technical data page and Special Notes Section of this document.
3. Install foam solution test valve (16) and system isolation valve (18). These valves are used to conduct foam/water solution tests and are required.
4. Install the CCV (D) and associated trim as indicated. FM systems require electrical supervision in accordance with FM Global Property Loss Prevention Data Sheet 4-12.
5. Install bladder tank (A) in accordance with the bladder tank operation manual and the following:
  - a) Refer to Figure 1 for recommended connections.
  - b) Locate the tank as close as practical to the system riser. (See Special Note B on Page 5).
  - c) Allow enough room around the tank to perform maintenance on the bladder.
  - d) Allow access to the tank for filling from containers of foam concentrate.
  - e) All valves and devices should be located for easy access for operation and maintenance.
  - f) Install the water supply piping (13) from the riser to the bladder tank as shown in Figure 1.  
**NOTE:** To eliminate water hammer effects during system activation, Viking recommends that the bladder tank water supply piping connection for a deluge system should be installed below the deluge valve (C) as shown in Figure 1.
  - g) Install the piping from the tank (A) to the proportioner (B) as straight as possible to limit pressure loss.
  - h) Fill bladder tank (A) with foam concentrate in accordance with the bladder tank operation manual and leave isolated from the system.

### D. Placing System Into Service & Removing System from Service

1. Placing the System into Service:
  - a) Refer to the Special Notes section on page 5.
  - b) Verify the following valves are in the closed position: water supply control valve (10), bladder tank water supply control valve (13), foam concentrate shut-off valve (14), foam solution test valve (16) and foam concentrate auxiliary drain valve (12), and vent valves (21)
  - c) Place the deluge valve (C) in service in accordance with the relevant Viking technical data page. The priming line for the CCV (D) is taken directly from the system deluge valve (C) priming line as shown in Figure 1. When priming the deluge valve (C), the CCV (D) will also be primed closed. Bleed off any air pressure trapped in the priming line to the CCV (D) by opening the 3-way pressure gauge valve (11). Once air pressure has been relieved, close the 3-way valve and plug outlet. Re-open 3-way valve to maintain pressure on gauge (11). Continue placing the deluge valve in service.
  - d) The CCV (D) is closed and set when gauge (11) displays equal pressure to the system supply pressure gauge.
  - e) The deluge system's release control system should be in service. To place the bladder tank (A) in service refer to the bladder tank operation manual for the complete start-up procedure.
  - f) Verify the CCV (D) is closed.
  - g) Verify normal valve positions and secure in correct position (see Figure 1).
  - h) Slowly open the shut-off valves (13) and (14).
  - i) **IMPORTANT:** Bleed air from vent valves (21).
  - j) Check for and repair any leaks in the foam/water system pipe network.

#### NOTICE

**In accordance with the bladder tank operation manual, ensure that CCV (D) is closed, shut-off valves (13) and (14) are opened slowly, and the bladder tank is vented of air.**



## TECHNICAL BULLETIN

### DELUGE FOAM/WATER SYSTEM SUPPLIED BY BLADDER TANK

The Viking Corporation, 210 N Industrial Park Drive, Hastings MI 49058

Telephone: 269-945-9501 Technical Services: 877-384-5464 Fax: 269-818-1680 Email: techsvcs@vikingcorp.com

Visit the Viking website for the latest edition of this technical data page [www.vikinggroupinc.com](http://www.vikinggroupinc.com)

2. For System and Riser Piping Service and Maintenance:
  - a) Refer to the Special Notes section on page 5.
  - b) Close the water supply control valve (10).
  - c) Close the bladder tank water supply control valve (13) and foam concentrate shut-off valve (14).
  - d) Leave the foam system isolation valve (18) open.
  - e) Refer to instructions for removing the deluge valve (C) from service in the relevant Viking technical data page.
  - f) Open the main drain(s) on deluge valve (C).
  - g) Perform required service and maintenance on system devices or piping network.
  - h) Refer to instructions for returning the deluge valve (C) to service in the relevant Viking technical data page. The CCV (D) will also be primed close as described in Section E1c above.
  - i) Verify the CCV (D) is closed by checking water pressure gauge (11) to ensure that it is the same as or higher than the system pressure.
  - j) **IMPORTANT:** Bleed air from vent valves (21).

#### NOTICE

**In accordance with the bladder tank operation manual, ensure that CCV (D) is closed, shut-off valves (13) and (14) are opened slowly, and the bladder tank is vented of air.**

- k) Open bladder tank water supply valve (13) and foam concentrate shut-off valve (14).
  - l) Verify normal valve positions and secure in correct position (as detailed in Figure 1).
3. For Total System Service and Maintenance:
    - a) Refer to the Special Notes section on page 5.
    - b) Close the bladder tank water supply control valve (13) and foam concentrate shut-off valve (14).
    - c) Refer to instructions for removing the bladder tank (A) from service in the bladder tank operation manual.
    - d) Leave the foam system isolation valve (18) open.
    - e) Refer to instructions for removing the deluge valve (C) from service in the relevant Viking technical data page.
    - f) Open the main drain(s) on deluge valve (C).
    - g) Perform required service and maintenance on system devices or piping network.
    - h) Refer to instructions for removing the bladder tank (A) from service in the bladder tank operation manual.
    - i) Perform required service and maintenance on bladder tank (A) in accordance with the bladder tank operation manual.
    - j) To return the system into service, refer to section E1.
  4. For Bladder Tank Service and Maintenance - While Leaving System in Service:
    - a) Refer to the Special Notes section on page 5.
    - b) Close the bladder tank water supply control valve (13) and foam concentrate shut-off valve (14).
    - c) Refer to instructions for removing the bladder tank (A) from service in the bladder tank operation manual.
    - d) Perform required service and maintenance on bladder tank (A) in accordance with the bladder tank operation manual.
    - e) To place the bladder tank (A) in service refer to the bladder tank operation manual.
    - f) **IMPORTANT:** Bleed air from vent valves (21).

#### NOTICE

**In accordance with the bladder tank operation manual, ensure that CCV (D) is closed, shut-off valves (13) and (14) are opened slowly, and the bladder tank is vented of air.**

- g) Verify normal valve positions and secure in correct position (as detailed in Figure 1).
5. For Riser Only Service and Maintenance:
    - a) Refer to the Special Notes section on page 5.
    - b) Close the water supply control valve (10).
    - c) Close the bladder tank water supply control valve (13) and concentrate control shut-off valve (14).
    - d) Close the system isolation valve (18).



## TECHNICAL BULLETIN

### DELUGE FOAM/WATER SYSTEM SUPPLIED BY BLADDER TANK

The Viking Corporation, 210 N Industrial Park Drive, Hastings MI 49058

Telephone: 269-945-9501 Technical Services: 877-384-5464 Fax: 269-818-1680 Email: techsvcs@vikingcorp.com

Visit the Viking website for the latest edition of this technical data page [www.vikinggroupinc.com](http://www.vikinggroupinc.com)

- e) Refer to instructions for removing deluge valve (C) from service in the relevant Viking technical data page.
- f) Open the main drain(s) on deluge valve (C).
- g) Perform required service and maintenance on deluge valve (C).
- h) Refer to instructions for returning the deluge valve (C) to service in the relevant Viking technical data page.
- i) The CCV (D) will also be primed close as described in 1.c above.
- j) Verify CCV (D) is closed by checking water pressure gauge (11) to ensure that it is the same as or higher than the system pressure.
- k) Open the system isolation valve (18).
- l) Open tank water supply valve (13) and concentrate control shut-off valve (14).
- m) **IMPORTANT:** Bleed air from vent valves (21).

#### NOTICE

**In accordance with the bladder tank operation manual, ensure that CCV (D) is closed, shut-off valves (14) and (13) are opened slowly, and the bladder tank is vented of air.**

- n) Verify normal valve positions and secure in correct position (as detailed in Figure 1.)
6. Testing the foam concentrate swing check valve:
- a) After a flow test or proportioning test has been conducted, the foam concentrate swing check valve (15) should be checked to ensure that it maintains a positive seal between the CCV (D) and the preaction system riser, by following the procedure outlined below.
  - b) Bleed off any pressure which may have been trapped between the outlet of the chamber of the CCV (D) and the swing check valve (15) by placing a container under the foam concentrate auxiliary drain valve (12) and opening the valve slowly.
  - c) Drain excess foam concentrate into container. Should the leakage continue, check the priming pressure gauge (11) on the CCV (D) to ensure that the valve is primed and closed.
  - d) Flush the concentrate line downstream of the CCV (D)
  - e) If the foam concentrate auxiliary drain valve (12) continues to leak foam concentrate, then the CCV (D) must be checked for proper operation and repaired if necessary. Follow the procedure in section D.1.d and refer to component data page for repair instructions.
  - f) Should water continue to leak from the foam concentrate auxiliary drain valve (12), the foam concentrate swing check valve (15) clapper rubber and seat should be inspected or replaced. Refer to component data page for repair instructions.

#### E. Troubleshooting

1. For operating and maintenance instructions pertaining to Viking manufactured products, refer to the appropriate Viking documentation.
2. For operating and maintenance instructions pertaining to foam equipment manufactured for Viking, refer to the appropriate manufacturer's documentation.
3. For operation and maintenance instructions for all other equipment, refer to appropriate manufacturer's documentation.

#### F. Emergency Instructions

1. During and after a fire:
  - a) Make sure the fire is OUT! Make a complete inspection of all areas covered by this system, including areas not involved in the fire. Place a fire watch in the entire area until the system is back in service.
  - b) Close the system water supply control valve (10) and the bladder tank water supply valve (13). Post a person at the valve ready to turn them back on, should the fire rekindle.
  - c) Open the flow test valve, system drain valve and all auxiliary drain valves. Close drain valves once the system has completely drained.
  - d) Replace any fused sprinklers in the pilot line (if so equipped), with the same type and temperature rating as were removed. Check all releases and/or detectors in the fire area for damage.
  - e) Isolate the bladder tank (A) by closing the foam concentrate shut-off valve (14), and verify that the bladder tank water supply control valve (13) is closed.
  - f) Check the level of foam concentrate and refill the foam concentrate bladder tank (A) in accordance with the bladder tank operation manual. Always replace the foam concentrate with the same brand and type as that being used currently.
 

**NOTE:** *Never intermix different types or brands of foam concentrate, as this could cause them to gel or solidify, and render the concentrate useless.*
  - g) Return the complete system to service by following the procedure listed in Section E1.



## TECHNICAL BULLETIN

### DELUGE FOAM/WATER SYSTEM SUPPLIED BY BLADDER TANK

The Viking Corporation, 210 N Industrial Park Drive, Hastings MI 49058

Telephone: 269-945-9501 Technical Services: 877-384-5464 Fax: 269-818-1680 Email: techsvcs@vikingcorp.com

Visit the Viking website for the latest edition of this technical data page [www.vikinggroupinc.com](http://www.vikinggroupinc.com)

- h) Perform quarterly test.
  - i) Fire can damage piping and supports, so call your Viking representative for assistance in obtaining a complete inspection and additional replacement sprinklers. For additional details, see technical data sheets for specific device.
 

**NOTE:** *If replacement foam concentrate is not immediately available, the deluge portion of the system can remain in service independent of the foam portion if desired.*
2. For emergency shut down of the complete system:
    - a) Close main water supply valve (10).
    - b) Close foam concentrate shut-off valve (14) to eliminate the flowing of the foam concentrate to the CCV (D) and the proportioner (B).
    - c) Close bladder tank water supply control valve (13) to reduce the pressure on the bladder tank (A).
    - d) Open main drain.
    - e) Completely drain system.
    - f) Repair the damaged portion of the discharge system, or perform emergency maintenance as required.
    - g) Return the riser and foam system to service by following the procedure listed in Section E1.
  3. If the foam concentrate pipe system is damaged:
    - a) Close the foam concentrate shut-off valve (14) to eliminate the flowing of the foam concentrate to the CCV (D) and the ratio controller (B).
    - b) Close the bladder tank water supply control valve (13) to reduce the pressure on the bladder tank (A).
    - c) Verify that the CCV (D) is closed by observing water pressure gauge (11). If the water pressure gauge reads the same or higher than the system water pressure gauge located on the deluge valve (C), the CCV (D) is closed.
    - d) Repair the damaged portion of the foam concentrate piping system.
    - e) Return the foam concentrate system to service, by following the procedure as described above in Section 4.D, Steps 4a through 4f.
 

**NOTE:** *If there are no damaged sections of the distribution system, the deluge portion of the sprinkler system may be kept in service for protection, while repairs to the foam concentrate system are performed.*

### SPECIAL NOTES

- A. Provide a minimum of 5 pipe diameters of straight pipe on the inlet and outlet of the ratio controller (B) to minimize turbulence inside the proportioner.

#### **⚠ WARNING**

**If the outlet to the foam solution test valve is located closer than 5 pipe diameters, there may be turbulence at high flow rates.**

- B. The combined total equivalent length of pipe (pipe length, plus equivalent lengths for fittings and valves) including both the water supply inlet piping (13) and the foam concentrate discharge piping (14), should not exceed 165 equivalent feet (50.3 meters); specifically, 100' (30.5 m) water supply and 65' (19.8 m) foam concentrate piping.
- C. The CCV (D) and swing check valve (15) must be connected adjacent to the ratio controller using pipe nipples as short as possible.
- D. Figure 1 is a general schematic of the required piping arrangement. Refer to the appropriate technical data page for specific information regarding the valve, tank, and related trim and devices.
- E. The technical information, statements, and recommendations contained in this manual are based on information and tests that, to the best of our knowledge, we believe to be dependable. It represents general guidelines only, and the accuracy or completeness thereof, are not guaranteed since conditions of handling and usage are outside our control. The purchaser should determine the suitability of the product for its intended use and assumes all risks and liability whatsoever in connection therewith.
- F. The CCV (D) does not require any trim, except for a 1/2" priming line and water pressure gauge and 3-way valve (11) from the main deluge valve (C) to the priming chamber of valve (D). Plug all the remaining valve trim outlets. Connect the CCV (D) priming line to deluge valve (C) as shown on Figure 1. Refer to the Valves section of the website to find the correct trim kit part number for the corresponding size of CCV (D) required.
- G. A strainer is not required in the foam concentrate discharge piping of bladder tank systems per NFPA Standards.
- H. FM Global Property Loss Prevention Data Sheet 4-12 requires that the activation of the CCV must be supervised.



# TECHNICAL BULLETIN

## DELUGE FOAM/WATER SYSTEM SUPPLIED BY BLADDER TANK

The Viking Corporation, 210 N Industrial Park Drive, Hastings MI 49058  
 Telephone: 269-945-9501 Technical Services: 877-384-5464 Fax: 269-818-1680 Email: techsvcs@vikingcorp.com  
 Visit the Viking website for the latest edition of this technical data page www.vikinggroupinc.com

- A. Foam Concentrate Bladder Tank**
  - 1. Water Vent Valve – NORMALLY CLOSED
  - 2. Safety Thermal Relief Valve
  - 3. Foam Concentrate Vent Valve – NORMALLY CLOSED
  - 4. Filling Vent Valve (Optional)
  - 5. Filling Pressure Gauge (Optional)
  - 6. Water filling/drain valve –NORMALLY CLOSED
  - 7. Foam concentrate filling/drain valve – NORMALLY CLOSED
  - 8. Concentrate level sight tube drain valve – NORMALLY CLOSED
  - 9. Concentrate level sight tube
- B. Proportioning Device – Ratio Controller**
- C. Type of System – DELUGE**
  - C.1 Deluge (Each item below sold separately)
    - Deluge Valve (Straight through or angle style)
    - Conventional Trim (Vertical or Horizontal)
    - Release Trim (Electric or Pneumatic)
    - Release Device (Solenoid valve or Pneumatic Actuator )
  - 10. Water Supply Control Valve – NORMALLY OPEN
- D. Concentrate Control Valve (CCV)  
 (Hydraulically activated Halar® coated straight through deluge valve)**
  - 11. CCV Priming pressure gauge
  - 12. ½" Foam concentrate auxiliary drain valve
- Accessory Trim – (Each item below sold separately)**
  - 13. Bladder tank water supply control valve – NORMALLY OPEN
  - 14. Foam concentrate shut-off valve – NORMALLY OPEN\*
  - 15. Foam concentrate swing check valve
  - 16. Foam solution test valve – NORMALLY CLOSED
  - 17. Foam solution test header
  - 18. Foam system isolation valve – NORMALLY OPEN
  - 19. Prime line supervision switch
- Commissioning and Flushing Valves**
  - 20. 2½" Ball Valves (2) - NORMALLY CLOSED (installed on customer-supplied outlet)
- Air Vent and Drain Valves**
  - 21. ½" Air vent valves (2) - NORMALLY CLOSED (Installed on customer-supplied outlet)
  - 22. 1" Drain valve (1) - NORMALLY CLOSED (Installed on customer-supplied outlet)
- Bladder Tank Dip Valve**
  - 23. 1" Dip valve - NORMALLY CLOSED (installed on customer-supplied outlet)

\*Full port bronze body with 316 stainless steel trim and ball valve

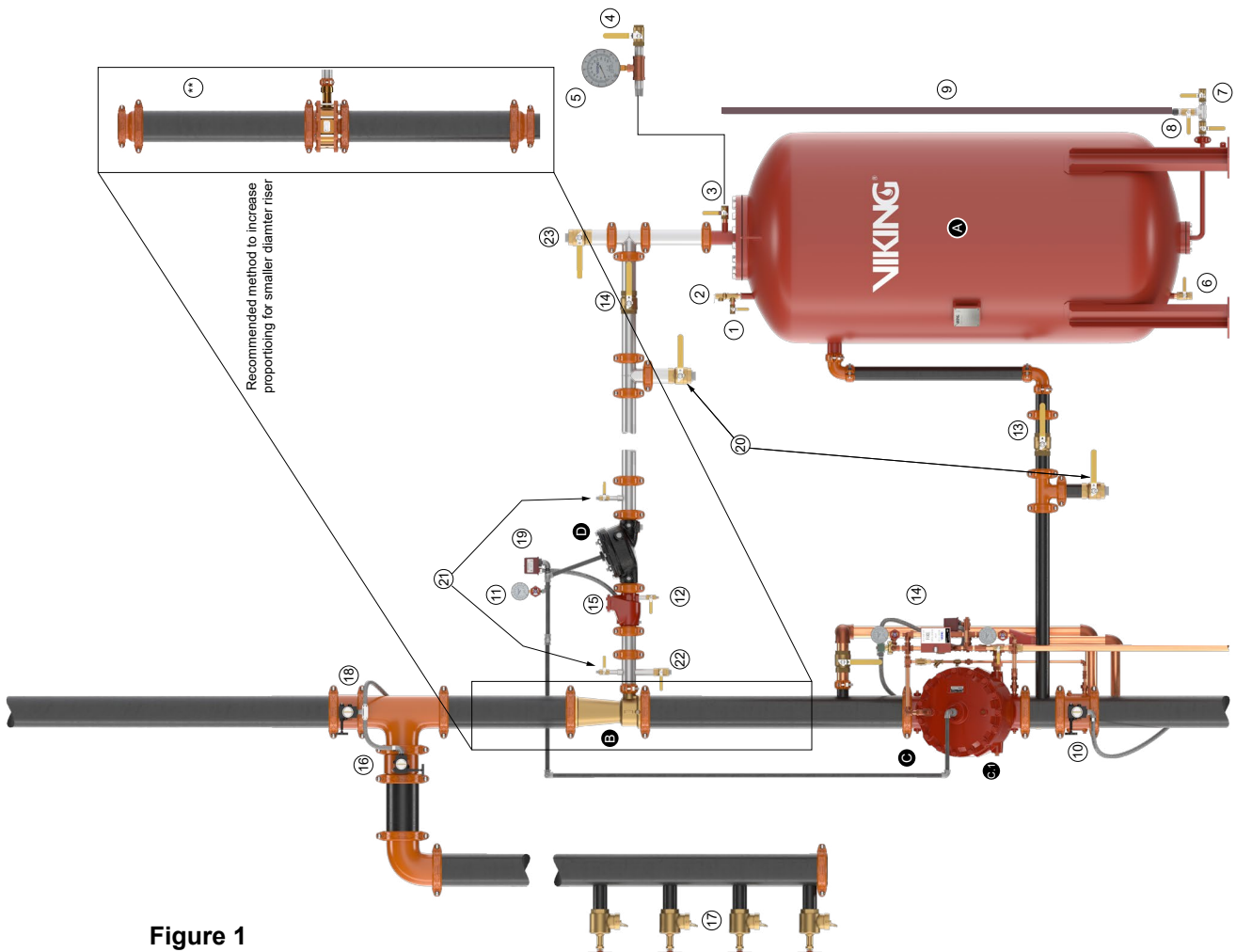


Figure 1

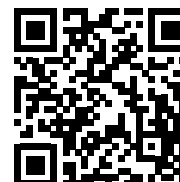


# TECHNICAL BULLETIN

## DELUGE FOAM/WATER SYSTEM SUPPLIED BY BLADDER TANK

The Viking Corporation, 210 N Industrial Park Drive, Hastings MI 49058  
 Telephone: 269-945-9501 Technical Services: 877-384-5464 Fax: 269-818-1680 Email: techsvcs@vikingcorp.com  
 Visit the Viking website for the latest edition of this technical data page [www.vikinggroupinc.com](http://www.vikinggroupinc.com)

Scan or click to visit Viking's digital system estimators.



<https://digital.vikingcorp.com>

### ORDERING INSTRUCTIONS:

For complete Deluge Foam/Water System Supplied by a Bladder Tank, select 1 each of the following as well as all desired Accessories from the tables below:

- Deluge Valve and Trim
- Release Trim
- Foam Concentrate Control Valve and Trim,
- Foam Concentrate
- Ratio Controller
- Bladder Tank

DESCRIPTION		NOMINAL SIZE	PART NUMBER
<b>Deluge Valves - Straight Through</b>			
Flange/ Flange	<b>Flange Drilling</b>	<b>Model F-1</b>	<b>Painted Red</b>
	ANSI	3"	12014
	ANSI	4"	11953
	ANSI	6"	11955
	ANSI	8"	11991
	ANSI/Japan	6"	11964
	PN10/16	DN80	12026
	PN10/16	DN100	11965
	PN10/16	DN150	11956
	PN10	DN200	11995
	PN16	DN200	11999
	<b>Flange Drilling</b>	<b>Model F-2</b>	<b>Halar® Coated</b>
	ANSI	3"	12015Q/B
	ANSI	4"	11960Q/B
	ANSI	6"	11962Q/B
	ANSI	8"	11992Q/B
	PN10/16	DN80	12027Q/B
	PN10/16	DN100	11966Q/B
	PN10/16	DN150	11963Q/B
	PN10	DN200	11996Q/B
PN16	DN200	12000Q/B	
Flange/ Groove	<b>Flange Drilling / Pipe O.D.</b>	<b>Model F-1</b>	<b>Painted Red</b>
	ANSI / 89 mm	3"	12018
	ANSI / 114 mm	4"	11952
	ANSI / 168 mm	6"	11954
	PN10/16 / 89 mm	DN80	12030
	PN10/16 / 114 mm	DN100	11958
	PN10/16 / 165 mm	DN150	12640
	PN10/16 / 168 mm	DN150	11954
	<b>Flange Drilling / Pipe O.D.</b>	<b>Model F-2</b>	<b>Halar® Coated</b>
	ANSI / 89 mm	3"	12019Q/B
	ANSI / 114 mm	4"	11959Q/B
	ANSI / 168 mm	6"	11961Q/B
	PN10/16 / 89 mm	DN80	12644Q/B
	PN10/16 / 114 mm	DN100	12645Q/B
	PN10/16 / 165 mm	DN150	12641Q/B
	PN10/16 / 168 mm	DN150	11961Q/B

<b>Deluge Valves - Straight Through (continued)</b>			
Groove/ Groove	<b>Pipe O.D.</b>	<b>Model F-1</b>	<b>Painted Red</b>
	48 mm	1½" / DN40	12125
	60 mm	2" / DN50	12057
	73 mm	2½" / DN65	12403
	76 mm	DN80	12729
	89 mm	3" / DN80	12022
	114 mm	4" / DN100	11513
	165 mm	DN150	11910
	168 mm	6" / DN150	11524
	219 mm	8" / DN200	11018
	<b>Pipe O.D.</b>	<b>Model F-2</b>	<b>Halar® Coated</b>
	48 mm	1½" / DN40	12127Q/B
	60 mm	2" / DN50	12058Q/B
	73 mm	2½" / DN65	12404Q/B
	76 mm	DN80	12730Q/B
	89 mm	3" / DN80	12023Q/B
	114 mm	4" / DN100	11514Q/B
	165 mm	DN150	11911Q/B
168 mm	6" / DN150	11525Q/B	
219 mm	8" / DN200	11118Q/B	
Threaded	<b>Pipe O.D.</b>	<b>Model F-1</b>	<b>Painted Red</b>
	NPT 48 mm	1½"	12126
	NPT 60 mm	2"	12059
	NPT 65 mm	2½"	12401
	BSP 48 mm	DN40	12682
	BSP 60 mm	DN50	12686
	<b>Pipe O.D.</b>	<b>Model F-2</b>	<b>Halar® Coated</b>
	NPT 65 mm	2½"	12402Q/B

Table 1





# TECHNICAL BULLETIN

## DELUGE FOAM/WATER SYSTEM SUPPLIED BY BLADDER TANK

The Viking Corporation, 210 N Industrial Park Drive, Hastings MI 49058

Telephone: 269-945-9501 Technical Services: 877-384-5464 Fax: 269-818-1680 Email: techsvcs@vikingcorp.com

Visit the Viking website for the latest edition of this technical data page [www.vikinggroupinc.com](http://www.vikinggroupinc.com)

DESCRIPTION	NOMINAL SIZE	PART NUMBER	
<b>Deluge Valve Trim</b>			
Horizontal	1½" / DN40	14635-1	14635-2
	2" / DN50		
	2½" / DN65	14637-1	14637-2
	3" / DN80		
	4" / DN100	14638-1	14638-2
	6" / DN150	14640-1	14640-2
8" / DN200	14643-1	14643-2	
Vertical	1½" / DN40	14634-1	14634-2
	2" / DN50		
	2½" / DN65	14636-1	14636-2
	3" / DN80		
	4" / DN100	14639-1	14639-2
	6" / DN150	14641-1	14641-2
	8" / DN200	14643-1	14643-2

DESCRIPTION	MATERIAL	PART NUMBER
<b>Release Trim Packages</b>		
Use with Straight Through Valves	Pneumatic Release	
	Galvanized	10809
	Brass	10811
	Electric Release	
	Galvanized	10830
	Brass	10832

DESCRIPTION	NOMINAL SIZE	PART NUMBER
<b>Trimpac®</b>		
Includes Conventional Trim, Release Trim, and Flexible Hose Kit	Pneumatic Release	
	Galvanized	13788B-2
	Brass	13788B-2B
	Electric Release	
	Galvanized	137887B-1
	Brass	13787B-1B
<b>Drain Packages</b>		
Use with TrimPac (above)	1½" / DN40	11894-1
	2" / DN50	11894-2
	2½" / DN65	11894-3
	3" / DN80	11894-3
	4" / DN100	11894-4
	6" / DN150	11894-4
8" / DN200	11894-4	

DESCRIPTION	NOMINAL SIZE	PART NUMBER	
<b>Foam Concentrate Control Valves (Halar® Coated)</b>			
Straight Through			
Groove/ Groove	Pipe O.D.	Model F-2	
	73 mm	2½" / DN65	12404Q/B

DESCRIPTION	NOMINAL SIZE	PART NUMBER
<b>CCV Trims</b>		
Use with Straight Through Valves	2½" / DN65	12929-2

DESCRIPTION	PRESSURE RATING	TANK SIZE	DESIGN CODE	PART NUMBER
Vertical Bladder Tank	175psi (12bar)	25 to 4000 US Gallon	EN13445	VFTV****GF
Horizontal Bladder Tank	175psi (12bar)	50 to 5250 US Gallon	EN13445	VFTH****GF
Vertical Bladder Tank	232psi (16bar)	25 to 4000 US Gallon	EN13445	VFTV****GF-16
Horizontal Bladder Tank	232psi (16bar)	50 to 5250 US Gallon	EN13445	VFTH****GF-16
Vertical Bladder Tank	175psi (12bar)	25 to 4000 US Gallon	ASME Sec.VIII Div.1	VFTV****GAF
Horizontal Bladder Tank	175psi (12bar)	50 to 5250 US Gallon	ASME Sec.VIII Div.1	VFTH****GAF
Vertical Bladder Tank	232psi (16bar)	25 to 4000 US Gallon	ASME Sec.VIII Div.1	VFTV****GAF-16
Horizontal Bladder Tank	232psi (16bar)	50 to 5250 US Gallon	ASME Sec.VIII Div.1	VFTH****GAF-16

Where \*\*\*\* is the tank size in US Gallon

(Example1: VFTV0025F = Model VFT Vertical 25 US Gallon Bladder Tank in accordance with EN13445 design code)

(Example2: VFTH2000AF = Model VFT Horizontal 2000 US Gallon Bladder Tank in accordance with ASME Sec.VIII Div.1 design code)



# TECHNICAL BULLETIN

## DELUGE FOAM/WATER SYSTEM SUPPLIED BY BLADDER TANK

The Viking Corporation, 210 N Industrial Park Drive, Hastings MI 49058  
 Telephone: 269-945-9501 Technical Services: 877-384-5464 Fax: 269-818-1680 Email: techsvcs@vikingcorp.com  
 Visit the Viking website for the latest edition of this technical data page [www.vikinggroupinc.com](http://www.vikinggroupinc.com)

For complete Wet Pipe Low Flow Foam Water System, select alarm valve and trim, Retard Chamber and Circuit Closer Vent Trim, Pilot Operated Pressure Control Valve, Foam Concentrate Control Valve and Trim, Foam Concentrate, Ratio Flow Controller, Bladder Tank and accessories.

Accessories		
DESCRIPTION	NOMINAL SIZE	PART NUMBER
Foam Concentrate Swing Check Valve		
	2½" / DN65	05497C
Foam Solution Test Valve		
Grooved Butterfly Valve	2½" / DN65	01G-0250
	3" / DN80	01G-0300
	4" / DN100	01G-0400
	6" / DN150	01G-0600
	8" / DN200	01G-0800
System Isolation Valve		
Grooved Butterfly Valve	2½" / DN65	01G-0250
	3" / DN80	01G-0300
	4" / DN100	01G-0400
	6" / DN150	01G-0600
	8" / DN200	01G-0800
Water Supply Control Valve		
Grooved Butterfly Valve	2½" / DN65	01G-0250
	3" / DN80	01G-0300
	4" / DN100	01G-0400
	6" / DN150	01G-0600
	8" / DN200	01G-0800
Foam Concentrate Shut-Off Valve		
Ball Valve	2½" / DN65	23247
ACCESSORIES FOR FOAM/WATER SPRINKLER SYSTEMS		
Model D-3 PORV	½" / DN15	16970
1/8" / 3 mm Restricted Orifice	½" / DN15	06555A
Soft Seat Check Valve	½" / DN15	03945A
Y Strainer	½" / DN15	01054A
Ball Valve	½" / DN15	10355
CONCENTRATE CONTROL VALVE PRIMING CONNECTION PKG.		
Required to connect priming chamber		10985
Bladder Tank Water Supply Control Valve		
Ball Valve	2½" / DN65	23247
VENT VALVES		
Ball Valve	½" / DN15	10355
Ball Valve	1" / DN25	10356
PRESSURE SWITCH FOR CCV		
Alarm pressure switch	1/2" NPT	PS102A

Foam Type	Foam Concentrate		
	Part Number		
	US Gallon		
	6.5	55	265
ARK (3% AR-SFFF)	F24175-6.5	F24175-55	F24175-265
USP (3% SFFF)	F21720-6.5	F21720-55	F21720-265



# TECHNICAL BULLETIN

## DELUGE FOAM/WATER SYSTEM SUPPLIED BY BLADDER TANK

The Viking Corporation, 210 N Industrial Park Drive, Hastings MI 49058  
 Telephone: 269-945-9501 Technical Services: 877-384-5464 Fax: 269-818-1680 Email: techsvcs@vikingcorp.com  
 Visit the Viking website for the latest edition of this technical data page [www.vikinggroupinc.com](http://www.vikinggroupinc.com)

Ratio Controller						
Connection		Foam Type	Part Number		Specification	
Body (grooved)	Foam Inlet (grooved)		Nickel Aluminum Bronze	Brass	FM	UL
2" (51mm)	1.5" (48,3mm)	Viking USP, 3%	VRC060JAL	F20282L	x	
		Viking ARK, 3%	VRC060JP	F20282P	x	
		Viking USP, 3%	VRCS060JAL	F25332L	x	
		Viking ARK, 3%	VRCS060JP	F25332P	x	
2.5" (76,0mm)	1.5" (48,3mm)	Viking USP, 3%	VRC076JAL	--	x	
		Viking ARK, 3%	VRC076JP	--	x	
2.5" (73,0mm)	1.5" (48,3mm)	Viking USP, 3%	VRC073JAL	F20162L	x	
		Viking ARK, 3%	VRC073JP	F20162P	x	
3" (88,9mm)	1.5" (48,3mm)	Viking USP, 3%	VRC089JAL	F20152L	x	
		Viking ARK, 3%	VRC089JP	F20152P	x	
4" (114,3mm)	2" (60,3mm)	Viking USP, 3%	VRCF114JAL	F20217L	x	
		Viking ARK, 3%	VRC114JAL	F25331L		x
		Viking ARK, 3%	VRC114JP	F20217P	x	
6" (165,1mm)	2" (60,3mm)	Viking USP, 3%	VRC165JAL	--	x	x
		Viking ARK, 3%	VRC165JP	--	x	
6" (168,3mm)	2" (60,3mm)	Viking USP, 3%	VRC168JAN	F20214N		x
		Viking USP, 3%	VRC168JAL	F20214L	x	x
		Viking ARK, 3%	VRC168JP	F20214P	x	
8" (219,1mm)	2.5" (76,1mm)	Viking USP, 3%	VRC2196JAL	--	x	x
		Viking ARK, 3%	VRC2196JP	--	x	
8" (219,1mm)	2.5" (73,0mm)	Viking USP, 3%	VRC2193JAL	F20137L	x	x
		Viking ARK, 3%	VRC2193JP	F20137P	x	
Flanged Connection						
Connection		Foam Type	Part Number		Specification	
Body (flanged)	Foam Inlet (threaded)		Nickel Aluminum Bronze	Brass	FM	UL
3" (DN80)	1,5" NPT (ANSI) or BSP (PN16) Thread	Viking USP, 3%	VRC080JAL	VRC080PJAL	x	
		Viking ARK, 3%	VRC080JP	VRC080PJP	x	
4" (DN100)	2" NPT (ANSI) or BSP (PN16) Thread	Viking USP, 3%	VRCF100AJAL	VRCF100PJAL	x	
		Viking ARK, 3%	VRC100AJAL	VRC100PJAL		x
6" (DN150)	2" NPT (ANSI) or BSP (PN16) Thread	Viking USP, 3%	VRC150AJAL	VRC150PJAL	x	x
		Viking ARK, 3%	VRC150AJP	VRC150PJP	x	
8" (DN200)	2,5" NPT (ANSI) or BSP (PN16) Thread	Viking USP, 3%	VRC200AJAL	VRC200PJAL	x	x
		Viking ARK, 3%	VRC200AJP	VRC200PJP	x	



**TECHNICAL  
BULLETIN**

**DELUGE FOAM/WATER  
SYSTEM SUPPLIED BY  
BLADDER TANK**

The Viking Corporation, 210 N Industrial Park Drive, Hastings MI 49058  
Telephone: 269-945-9501 Technical Services: 877-384-5464 Fax: 269-818-1680 Email: [techsvcs@vikingcorp.com](mailto:techsvcs@vikingcorp.com)  
Visit the Viking website for the latest edition of this technical data page [www.vikinggroupinc.com](http://www.vikinggroupinc.com)



## TECHNICAL DATA

### DELUGE VALVE, MODEL F-1 STRAIGHT THROUGH STYLE 2-1/2" (DN65) - 8" (DN200)

The Viking Corporation, 210 N Industrial Park Drive, Hastings MI 49058

Telephone: 269-945-9501 Technical Services: 877-384-5464 Fax: 269-818-1680 Email: techsvcs@vikingcorp.com

Visit the Viking website for the latest edition of this technical data page.

### 1. DESCRIPTION

The Viking Model F-1 Deluge Valve is a quick opening, differential diaphragm and flood valve with one moving mechanism. The Deluge Valve is used to control water flow in Deluge and Preaction sprinkler systems. The valve is held closed by system water pressure trapped in the priming chamber; keeping the outlet chamber and system piping dry. In fire conditions, when the releasing system operates, pressure is released from the priming chamber. The Deluge Valve clapper opens to allow water to flow into the system piping.

#### Features:

1. Field replaceable Diaphragm and Seat Rubbers
2. Designed for installation in the horizontal or vertical position
3. Designed to be reset without opening the valve
4. Compatible with Hydraulic, Pneumatic and/or Electric Release Systems



**NOTE: FOR PART NUMBERS OF ACCESSORIES, REFER TO VIKING LIST PRICE SCHEDULE.**

### 2. LISTINGS AND APPROVALS:

U.L. Listed - Guide No. VLFT & VLJH

C-UL Listed

FM Approved - Deluge Sprinkler Systems, Preaction Sprinkler Systems, Refrigerated Area Sprinkler Systems

American Bureau of Shipping (ABS) - Certificate No. 15-HS1332725-PDA

NYC Department of Buildings - MEA 89-92-E Vol XXXI

CE - Pressure Equipment Directive 97/23/EC



**WARNING:** Cancer and Reproductive Harm-  
[www.P65Warnings.ca.gov](http://www.P65Warnings.ca.gov)

### 3. TECHNICAL DATA

#### Specifications:

Maximum Working Water Pressure: 250 PSI (17.4 bar)

Style: Straight through

Connections: See Table 1.

Factory tested: to 500 psi (34.5 bar)

Valve differential: 2:1 (priming chamber to inlet chamber)

Priming chamber supply restriction (required): 0.0625" (1.6 mm)

Color of Valve: Red

Friction loss: Refer to Table 1.

Cv Factor: Refer to Table 1.

#### Material Standards:

Refer to Figure 2.

#### Ordering Information:

Part Numbers - Refer to Table 1

8" - Manufactured since 2002

4" & 6" - Manufactured since 2003

2-1/2" & 3" - Manufactured since 2004

#### ACCESSORIES:

Refer to Current VIKING PRICE LIST for Part Numbers.

1. A Conventional Trim package for use with the Model F-1 Deluge Valve. The trim package includes the VALVE ACCESSORY PACKAGE and the fittings and nipples shown on the Viking Deluge Valve Conventional Trim Chart for the valve used. Trim Charts are provided in trim packages and the Viking website. For optional factory assembled "modular" trim packages, refer to the Viking list price schedule or contact the manufacturer.
2. A Deluge VALVE ACCESSORY PACKAGE includes required trim components. This package is needed when Viking Trim Packages are not used.
3. Auxiliary Components are required for specific valve functions. For complete operating trim requirements, refer to system data for the system used. System data is provided on the Viking website.

Additional accessories are available and may be required for system operation or supervision. Refer to the system description and technical data for complete operating trim requirements for the system used.



# TECHNICAL DATA

## DELUGE VALVE, MODEL F-1 STRAIGHT THROUGH STYLE 2-1/2" (DN65) - 8" (DN200)

The Viking Corporation, 210 N Industrial Park Drive, Hastings MI 49058

Telephone: 269-945-9501 Technical Services: 877-384-5464 Fax: 269-818-1680 Email: techsvcs@vikingcorp.com

Visit the Viking website for the latest edition of this technical data page.

DESCRIPTION	Nominal Size	Part Number	Friction Loss*	Cv Factor	Shipping Weight
<b>Threaded</b>					
Pipe O.D. NPT 65 mm	2½"	12401	12 ft. (3.6 m)	155	67 lbs. (30 kg)
<b>Flange/Flange</b>					
<b>Flange Drilling</b>					
ANSI 3"	3"	12014	12 ft. (3.6 m)	155	82 lbs. (37 kg)
ANSI 4"	4"	11953	21 ft. (6.5 m)	428	146 lbs. (66 kg)
ANSI 6"	6"	11955	39 ft. (11.9 m)	839	271 lbs. (123 kg)
ANSI 8"	8"	11991	57 ft. (17.4 m)	1577	466 lbs. (212 kg)
ANSI/Japan 6"	6"	11964	39 ft. (11.9 m)	839	271 lbs. (123 kg)
PN10/16 DN80	DN80	12026	12 ft. (3.6 m)	155	82 lbs. (37 kg)
PN10/16 DN100	DN100	11965	21 ft. (6.5 m)	428	127 lbs. (58 kg)
PN10/16 DN150	DN150	11956	39 ft. (11.9 m)	839	271 lbs. (123 kg)
PN10 DN200	DN200	11995	57 ft. (17.4 m)	1577	418 lbs. (190 kg)
PN16 DN200	DN200	11999	57 ft. (17.4 m)	1577	466 lbs. (212 kg)
<b>Flange/Groove</b>					
<b>Flange Drilling / Pipe O.D.</b>					
ANSI / 89 mm	3"	12018	12 ft. (3.6 m)	155	75 lbs. (34 kg)
ANSI / 114 mm	4"	11952	21 ft. (6.5 m)	428	136 lbs. (62 kg)
ANSI / 168 mm	6"	11954	39 ft. (11.9 m)	839	261 lbs. (118 kg)
PN10/16 / 89 mm	DN80	12030	12 ft. (3.6 m)	155	75 lbs. (34 kg)
PN10/16 / 114 mm	DN100	11958	21 ft. (6.5 m)	428	136 lbs. (62 kg)
PN10/16 / 165 mm	DN150	12640	39 ft. (11.9 m)	839	261 lbs. (118 kg)
PN10/16 / 168 mm	DN150	11954	39 ft. (11.9 m)	839	261 lbs. (118 kg)
<b>Groove/Groove</b>					
<b>Pipe O.D.</b>					
73 mm	2½" / DN65	12403	12 ft. (3.6 m)	155	67 lbs. (30 kg)
76 mm	DN80	12729	12 ft. (3.6 m)	155	67 lbs. (30 kg)
89 mm	3" / DN80	12022	12 ft. (3.6 m)	155	64 lbs. (29 kg)
114 mm	4" / DN100	11513	21 ft. (6.5 m)	428	127 lbs. (58 kg)
165 mm	DN150	11910	39 ft. (11.9 m)	839	245 lbs. (111 kg)
168 mm	6" / DN150	11524	39 ft. (11.9 m)	839	245 lbs. (111 kg)
219 mm	8" / DN200	11018	57 ft. (17.4 m)	1577	403 lbs. (183 kg)

\*Expressed in equivalent length of Schedule 40 pipe based on Hazen & Williams C=120

$$Q = C_v \sqrt{\frac{\Delta P}{S}}$$

Q= Flow

Cv= Flow Factor (GPM/1 PSI ΔP)

ΔP= Pressure Loss through Valve

S= Specific Gravity of Fluid

**Table 1 - Valve  
Part Numbers and  
Specifications**

#### 4. INSTALLATION (Refer to Figure 1 identification of trim components.)

##### A. General Instruction

- Viking Straight Through Deluge Valves may be installed in the horizontal or vertical position.
- The valve must be installed in an area not subject to freezing temperatures or physical damage.
- The valve must be trimmed according to current Viking Trim Charts and appropriate instructions for the system used. Trim Charts are printed in the *Viking Engineering and Design Data* book, and are provided with trim packages.
  - Remove all plastic protectors from the openings of the Deluge Valve.
  - Apply a small amount of pipe joint compound or tape to the external threads of all pipe connections required. Take care not to allow any compound, tape, or other foreign matter inside any of the nipples or openings of the valve or trim components.
  - Viking Model F-1 Deluge Valve Conventional Trim Charts are provided with Trim Packages and in the *Viking Engineering and Design Data* book.
  - Verify that all system components are rated for the water working pressure of the system.

##### Hydrostatic Test:

The Model F-1 Deluge Valve is manufactured and listed for use at a maximum Water Working Pressure of 250 PSI (17.2 bar). The valve is factory tested at 500 PSI (34.5 bar). Model F-1 Deluge Valves may be hydrostatically tested at 300 PSI (20.7 bar) and/or 50 PSI (3.4 bar) above the normal Water Working Pressure, for limited periods of time (two hours), for the purpose of acceptance by the Authority Having Jurisdiction. If air testing is required, do not exceed 60-PSI (4.1 bar) air pressure.

**NOTE: NEVER CONDUCT THE HYDROSTATIC TEST AGAINST THE PRESSURE OPERATED RELIEF VALVE. (P.O.R.V.) TEMPORARILY REMOVE THE P.O.R.V. FROM THE TRIM AND PLUG TRIM OPENINGS WHILE CONDUCTING THE HYDROSTATIC TEST.**

**TRIM NOTE: DISCHARGE PIPING FROM THE AUXILIARY DRAIN VALVE, THE FLOW TEST VALVE, AND ALL SYSTEM DRAINS SHOULD BE KEPT SEPARATE. DO NOT CONNECT THE OUTLET OF THE DRIP CHECK TO ANY OTHER DRAIN.**

- The priming line must be connected upstream of the system water supply main control valve or to a constant source of water at a pressure equal to the system water supply.



## TECHNICAL DATA

**DELUGE VALVE, MODEL F-1  
STRAIGHT THROUGH STYLE**  
2-1/2" (DN65) - 8" (DN200)

The Viking Corporation, 210 N Industrial Park Drive, Hastings MI 49058

Telephone: 269-945-9501 Technical Services: 877-384-5464 Fax: 269-818-1680 Email: techsvcs@vikingcorp.com

Visit the Viking website for the latest edition of this technical data page.

5. After the Deluge Valve is set, operation of the Deluge Valve requires the release of priming water from the priming chamber. This may be by automatic or manual operation of the release system. Viking Deluge Valves are compatible with hydraulic, pneumatic, and electric release systems. For specific Trim arrangements refer to Trim Charts and System Data describing the system being installed. Trim Charts are printed in the *Viking Engineering and Design Data* book, and are provided with trim packages. System Data sheets are printed in the *Viking Engineering and Design Data* book.
  - a. Hydraulic Release Systems: See Figures 3-6 for the maximum allowable elevation of hydraulic release piping above the Deluge Valve. If the maximum height of hydraulic release piping exceeds the limit shown in Figures 3-6 for the valve used, use a Pneumatic or Electric Release System.
  - b. Pneumatic Release Systems: A Viking Pneumatic Actuator is required between the release system connection provided on deluge valve trim and pneumatic release system piping.
  - c. Electric Release Systems: Solenoid Valves, System Control Panels, and Electrical Detectors must be compatible. Consult appropriate listing and/or approval guides.

**NOTE: FOR OPERATION AT WATER PRESSURES IN EXCESS OF 175 PSI (12.1 BAR), A 250 PSI (17.2 BAR) RATED SOLENOID VALVE MUST BE USED. REFER TO APPROPRIATE VIKING TECHNICAL DATA PAGE FOR TYPE OF SYSTEM USED.**

### ▲ CAUTION

**Operation of Viking Deluge Valves by pressurizing the priming chamber with air pressure or any other pressurized gas is not recommended or approved.**

### B. Placing the Valve in Service

For Deluge Valves equipped with Conventional Deluge Valve Trim, follow steps 1 through 10 (and 11 & 12 if applicable) below.

1. Verify:
  - a. The system Main Water Supply Control Valve (D.1) is closed and the Deluge Valve is trimmed according to current Viking Trim Charts and schematic drawings for the system used.
  - b. The system has been properly drained.
  - c. Auxiliary Drain (B.13) is open.
  - d. The Emergency Release (B.9) is closed.
  - e. The system water supply piping is pressurized up to the closed Main Water Supply Control Valve (D.1) and the priming line is pressurized up to the closed Priming Valve (B.1).
2. For Systems equipped with:
  - a. Hydraulic Release Systems:
    - i. Verify that all releasing devices are set and that any Inspector's Test Valve and/or auxiliary drain valves are closed.
    - ii. Open Priming Valve (B.1). Allow the hydraulic release system to fill. When priming pressure gauge (B.7) indicates that the release piping and priming chamber pressure is equal to system supply pressure, proceed to step 3.
    - iii. Proceed to step 3.
  - b. Pneumatic Release Systems:
    - i. Set the release system.
    - ii. Open Priming Valve (B.1).
    - iii. Proceed to step 3.
  - c. Electric Release Systems:
    - i. Open Priming Valve (B.1).
    - ii. Set the electric release system.
    - iii. Proceed to step 3.
3. Open Flow Test Valve (B.11).
4. Partially open Main Water Supply Control Valve (D.1).
5. When full flow develops from the Flow Test Valve (B.11), close the Flow Test Valve. Verify that there is no flow from the open Auxiliary Drain (B.13).
6. Close Auxiliary Drain (B.13).
7. Fully open and secure the Main Water Supply Control Valve (D.1).
8. Verify that the Alarm Shut-off Valve (B.6) is open and that all other valves are in their normal\*\* operating position.
9. Depress the plunger of Drip Check (B.14). No water should flow from the Drip Check when the plunger is pushed.
10. Check for, and repair all leaks.
11. On new installations, those systems that have been placed out of service, or where new equipment has been installed, trip test the system to verify that all equipment functions properly. Refer to INSPECTION, TESTS AND MAINTENANCE paragraph 6-II-C: ANNUAL Trip Test instructions.

### ▲ CAUTION

**Performing a trip test results in operation of the Deluge Valve. Water will flow into the sprinkler piping. Take necessary precautions to prevent damage.**



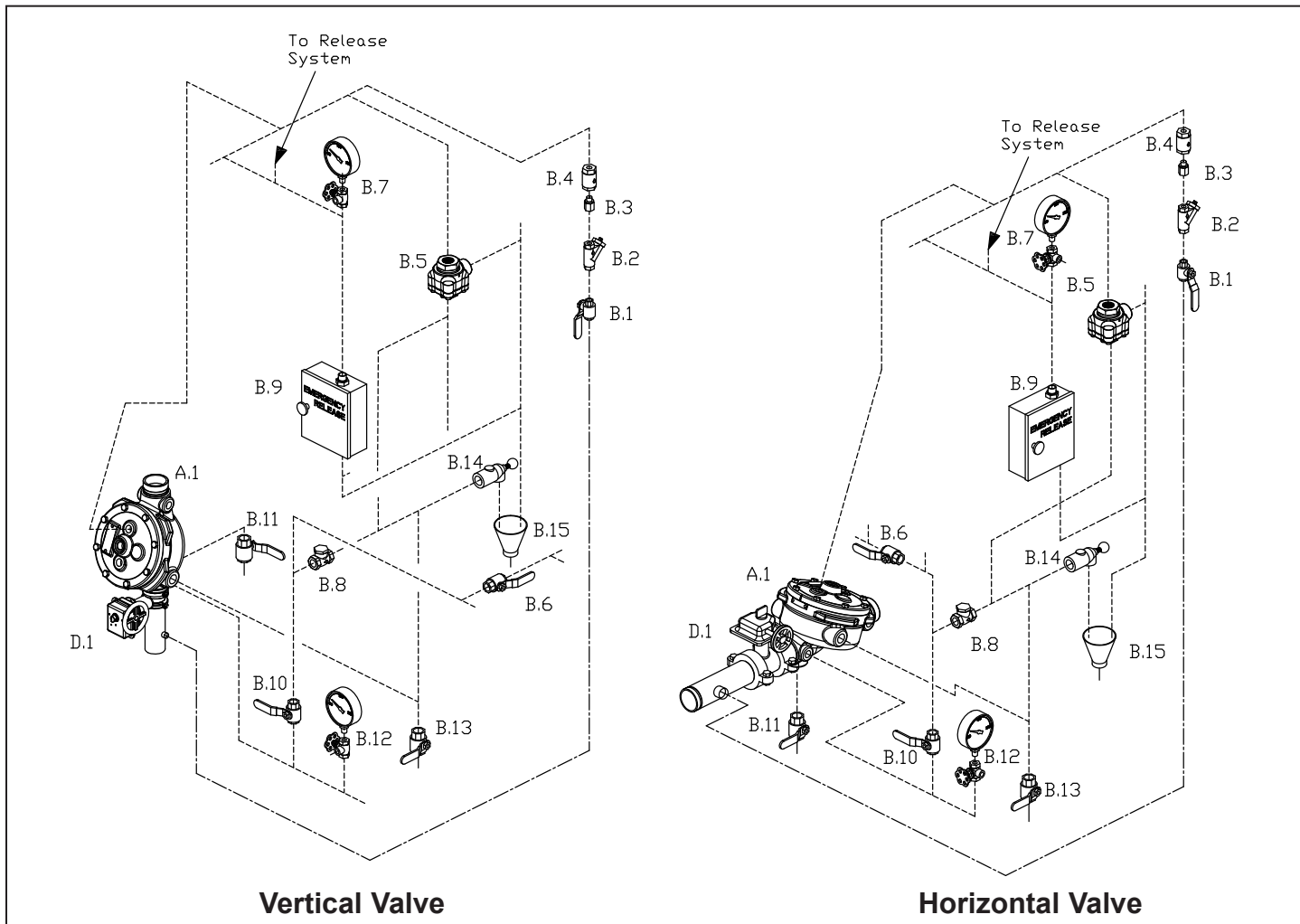
# TECHNICAL DATA

## DELUGE VALVE, MODEL F-1 STRAIGHT THROUGH STYLE 2-1/2" (DN65) - 8" (DN200)

The Viking Corporation, 210 N Industrial Park Drive, Hastings MI 49058

Telephone: 269-945-9501 Technical Services: 877-384-5464 Fax: 269-818-1680 Email: techsvcs@vikingcorp.com

Visit the Viking website for the latest edition of this technical data page.



----- Dashed lines indicate nipples and fittings included with trim.

----- Phantom lines indicate piping required, but not included with trim.

**Figure 1 - Conventional Trim Components**

A.1	Deluge Valve	B.9	Emergency Release
B.1	Priming Valve (Normally Open)	B.10	Alarm Test Valve (Normally Closed)
B.2	Strainer	B.11	Flow Test Valve (Normally Closed)
B.3	1/16" Restricted Orifice	B.12	Water Supply Pressure Water Gauge and Valve
B.4	Spring Loaded Check Valve	B.13	Auxiliary Drain Valve (Normally Closed)
B.5	Pressure Operated Relief Valve (PORV)	B.14	Drip Check Valve
B.6	Alarm Shut Off Valve (Normally Open)	B.15	Drain Cup
B.7	Priming Pressure Water Gauge and Valve	D.1	Water Supply Control Valve
B.8	Drain Check Valve		





## TECHNICAL DATA

**DELUGE VALVE, MODEL F-1  
STRAIGHT THROUGH STYLE**  
2-1/2" (DN65) - 8" (DN200)

The Viking Corporation, 210 N Industrial Park Drive, Hastings MI 49058

Telephone: 269-945-9501 Technical Services: 877-384-5464 Fax: 269-818-1680 Email: techsvcs@vikingcorp.com

Visit the Viking website for the latest edition of this technical data page.

After completing a trip test, perform SEMI-ANNUAL maintenance.

### C. Valve Removed From Service

**NOTE: WHEN A VALVE HAS BEEN REMOVED FROM SERVICE AND IS SUBJECT TO FREEZING OR WILL BE OUT OF SERVICE FOR AN EXTENDED PERIOD OF TIME, ALL WATER MUST BE REMOVED FROM THE PRIMING CHAMBER, TRIM PIPING, WATER SUPPLY PIPING AND OTHER TRAPPED AREAS.**

## 5. OPERATION (Refer to Figure 2.)

The Viking Model F-1 Deluge Valve has an inlet chamber, an outlet chamber and a priming chamber. The inlet chamber and outlet chamber are separated from the priming chamber by the clapper (5) and diaphragm (6).

### In the set condition:

System pressure is supplied to the priming chamber through a restricted priming line (trim) equipped with a check valve. System water supply pressure trapped in the priming chamber holds the clapper (5) on seat (2) due to area differential design. Clapper (5) separates the inlet chamber from the outlet chamber, keeping the outlet chamber and system piping dry.

### In fire conditions:

When the release system operates, pressure is released from the priming chamber faster than it is supplied through the restricted priming line. Water supply pressure in the inlet chamber forces the clapper (5) off from seat (2), allowing water to flow through the outlet and into the system and alarm devices.

### For Deluge Valves equipped with Conventional Trim:

When the deluge valve operates, the air side of the PORV loses pressure, causing the PORV to operate. When the PORV operates, it continually vents the priming chamber to prevent the deluge valve from resetting even if the open releasing devices close. The deluge valve can only be reset after the system is taken out of service, and the outlet chamber of the deluge valve and associated trim piping is depressurized and drained.

## 6. INSPECTIONS, TESTS AND MAINTENANCE

### I. Inspection

It is imperative that the system is inspected and tested on a regular basis. The frequency of the inspections may vary due to contaminated water supplies, corrosive water supplies or corrosive atmospheres. Also, the alarm devices, detection systems or other connected trim may require a more frequent schedule. For minimum maintenance and inspection requirements, refer to NFPA 25. In addition, the Authority Having Jurisdiction may have additional maintenance, testing, and inspection requirements that must be followed. The following recommendations are minimum requirements. (For additional information, refer to Viking Trim Charts and System Data describing systems with the release system used.)

#### A. Weekly:

Weekly visual inspection of the Viking Deluge Valve is recommended.

1. Verify that the Main Water Supply Control Valve (D.1) is open and that all other valves are in their normal\*\* operating position and appropriately secured.
2. Check for signs of mechanical damage, leakage, and/or corrosive activity. If detected, perform maintenance as required. If necessary, replace the device.
3. Verify that the valve and trim are adequately heated and protected from freezing and physical damage.

### II. Tests

#### A. Quarterly Water Flow Alarm Test

1. Notify the Authority Having Jurisdiction and those in the area affected by the test.
2. To test the local electric alarm (if provided) and/or mechanical water motor alarm (if provided), OPEN the alarm test valve (B.10) in the deluge valve trim.
  - a. Electric alarm pressure switches (if provided) should activate.
  - b. Electric local alarms should be audible.
  - c. The local water motor gong should be audible.
  - d. If equipped with remote station alarm signaling devices, verify that alarm signals were received.
3. When testing is complete, CLOSE the alarm test valve (B.10).
4. Verify:
  - a. All local alarms stop sounding and alarm panels (if provided) reset.
  - b. All remote station alarms reset.
  - c. Supply piping to water motor alarm properly drains.
5. Verify that the alarm shut-off valve (B.6) is OPEN, and the alarm test valve (B.10) is CLOSED.
6. Verify that the outlet chamber is free of water. No water should flow from the drip check (B.14) when the plunger is pushed.
7. Notify the Authority Having Jurisdiction and those in the affected area that testing is complete.



## TECHNICAL DATA

**DELUGE VALVE, MODEL F-1  
STRAIGHT THROUGH STYLE**  
2-1/2" (DN65) - 8" (DN200)

The Viking Corporation, 210 N Industrial Park Drive, Hastings MI 49058

Telephone: 269-945-9501 Technical Services: 877-384-5464 Fax: 269-818-1680 Email: techsvcs@vikingcorp.com

Visit the Viking website for the latest edition of this technical data page.

### B. Quarterly Main Drain Test

1. Notify the Authority Having Jurisdiction and those in the area affected by the test.
2. Record pressure reading from the water supply pressure gauge (B.12).
3. Verify that the outlet chamber of the deluge valve is free of water. No water should flow from the drip check (B.7) when the plunger is pushed.
4. Fully OPEN the flow test valve (B.11).
5. When a full flow is developed from the flow test valve (B.11), record the residual pressure from the water supply pressure gauge (B.12).
6. When the test is complete, SLOWLY CLOSE the flow test valve (B.11).
7. Compare test results with previous flow information. If deterioration of the water supply is detected, take appropriate steps to restore adequate water supply.
8. Verify:
  - a. Normal water supply pressure has been restored to the inlet chamber, the priming chamber, and the release system. The pressure on the priming chamber water pressure gauge should equal the system water supply pressure.
  - b. All alarm devices, and valves are secured in normal\*\* operating position.
9. Notify the Authority Having Jurisdiction that the test is complete. Record and/or provide notification of test results as required by the Authority Having Jurisdiction.

\*\* For normal operating position, refer to Figure 1 and/or Trim Charts and System Data for the system used.

### C. Annual Trip Test:

#### ▲ CAUTION

Performing this test results in operation of the Deluge Valve. Water will flow into the sprinkler piping and from any open sprinklers and/or nozzles. Take necessary precautions to prevent damage.

1. Notify the Authority Having Jurisdiction and those in the area affected by the test.
2. Fully open the flow test valve (B.11) to flush away any accumulation of foreign material.
3. Close the flow test valve (B.11).
4. Trip the system by operating the release system. Allow a full flow to pass through the deluge valve. Water flow alarms should operate.
5. When test is complete:
  - a. Close the main water supply control valve (D.1).
  - b. Close the priming valve (B.1).
  - c. Open the auxiliary drain valve (B.13).
  - d. Open all system main drains and auxiliary drains. Allow the system to drain completely.
6. Perform SEMI-ANNUAL maintenance. Refer to paragraph 6.III.B SEMI-ANNUAL MAINTENANCE.
7. Place the system in service. Refer to Item 4.B, INSTALLATION: PLACING THE VALVE IN SERVICE.

**NOTE: DELUGE VALVES SUPPLIED BY BRACKISH WATER, SALT WATER, FOAM, FOAM/WATER SOLUTION, OR ANY OTHER CORROSIVE WATER SUPPLY, SHOULD BE FLUSHED WITH GOOD QUALITY FRESH WATER BEFORE BEING RETURNED TO SERVICE.**

8. Notify the Authority Having Jurisdiction that the test is complete. Record and/or provide notification of test results as required by the Authority Having Jurisdiction.

### III. Maintenance

#### NOTICE

The owner is responsible for maintaining the fire protection system and devices in proper operating condition. The Deluge Valve must be kept from freezing conditions and physical damage that could impair its operation.

#### ▲ WARNING

Any system maintenance which involves placing a control valve or detection system out of service may eliminate the Fire Protection capabilities of that system. Prior to proceeding, notify all Authorities Having Jurisdiction. Consideration should be given to employment of a Fire Patrol in the affected areas.

Where difficulty in performance is experienced, the valve manufacturer or authorized representative shall be contacted if any field adjustment is to be made.

#### A. After Each Operation:

1. Sprinkler systems that have been subjected to a fire must be returned to service as soon as possible. The entire system must be inspected for damage, and repaired or replaced as necessary.
2. Deluge Valves and trim that have been subjected to brackish water, salt water, foam, foam/water solution, or any other corrosive water supply should be flushed with good quality fresh water before being returned to service.
3. Perform SEMI-ANNUAL maintenance after every operation.



## TECHNICAL DATA

**DELUGE VALVE, MODEL F-1  
STRAIGHT THROUGH STYLE**  
2-1/2" (DN65) - 8" (DN200)

The Viking Corporation, 210 N Industrial Park Drive, Hastings MI 49058

Telephone: 269-945-9501 Technical Services: 877-384-5464 Fax: 269-818-1680 Email: techsvcs@vikingcorp.com

Visit the Viking website for the latest edition of this technical data page.

### B. Semi-Annual Maintenance:

1. Remove the system from service. (Refer to Deluge or Preaction System Data that describes systems with the release system used for additional information.)
  - a. Close the Main Water Supply Control Valve (D.1) and Priming Valve (B.1).
  - b. Open the Auxiliary Drain Valve (B.13).
  - c. Relieve pressure in the priming chamber by opening the Emergency Release Valve (B.9).
4. Inspect all trim for signs of corrosion and/or blockage. Clean and/or replace as required.
5. Clean and/or replace all strainer screens (including B.2).
6. Refer to Item 4-B, INSTALLATION: PLACING THE VALVE IN SERVICE.

### C. Every Fifth Year

1. Internal inspection of Deluge Valves is recommended every five years unless inspections and tests indicate more frequent internal inspections are required. Refer to DISASSEMBLY instructions provided below.
2. Internal inspection of strainers and restricted orifices is recommended every five years unless inspections and tests indicate more frequent internal inspections are required.
3. Record and provide notification of inspection results as required by the Authority Having Jurisdiction.

### D. Valve Disassembly (Refer to Figure 2)

1. Remove the valve from service (see the release system description and Technical Data for additional information). Close the main control valve and open the main drain valve. Release the pressure in the priming chamber by opening the Emergency Release Valve.
2. Remove trim as required to allow removal of cover (4).
3. Remove screws (9).
4. Lift cover (4) from body (1).
5. Remove clapper assembly (No. 3, 5, 6, 7, 9, 10, 11) by lifting it from the body (1).
6. Inspect seat (2). If replacement is necessary, remove screws (12). Remove old seat (2) and o-ring (13). Replace with new seat (2) and o-ring (13). Replace screws (12).
7. To replace the diaphragm rubber (6), remove the circle of screws (10). Remove the clamp ring (3) and remove the diaphragm rubber (6).
8. To replace the seat rubber assembly (7), clapper assembly (3, 5, 6, 7, 9, 10, 11) must be removed from the valve. Remove the circle of screws (12). Seat rubber assembly (7) can be removed.

**NOTE: PRIOR TO INSTALLING A NEW CLAPPER RUBBER (6) OR SEAT RUBBER ASSEMBLY (7), MAKE CERTAIN THAT ALL SURFACES ARE CLEAN AND FREE OF FOREIGN MATTER. THE PLATED SEAT (2) MUST BE SMOOTH AND FREE OF NICKS, BURRS OR INDENTATIONS.**

### E. Valve Reassembly

1. Prior to reassembly, flush the valve of all foreign matter.
2. To reassemble, reverse disassembly procedure.

## 7. AVAILABILITY

The Viking Model F-1 Deluge Valve is available through a network of domestic and international distributors. See the Viking Corp. Web site for closest distributor or contact The Viking Corporation.

## 8. GUARANTEES

For details of warranty, refer to Viking's current list price schedule or contact Viking directly.



# TECHNICAL DATA

## DELUGE VALVE, MODEL F-1 STRAIGHT THROUGH STYLE 2-1/2" (DN65) - 8" (DN200)

The Viking Corporation, 210 N Industrial Park Drive, Hastings MI 49058

Telephone: 269-945-9501 Technical Services: 877-384-5464 Fax: 269-818-1680 Email: techsvcs@vikingcorp.com

Visit the Viking website for the latest edition of this technical data page.

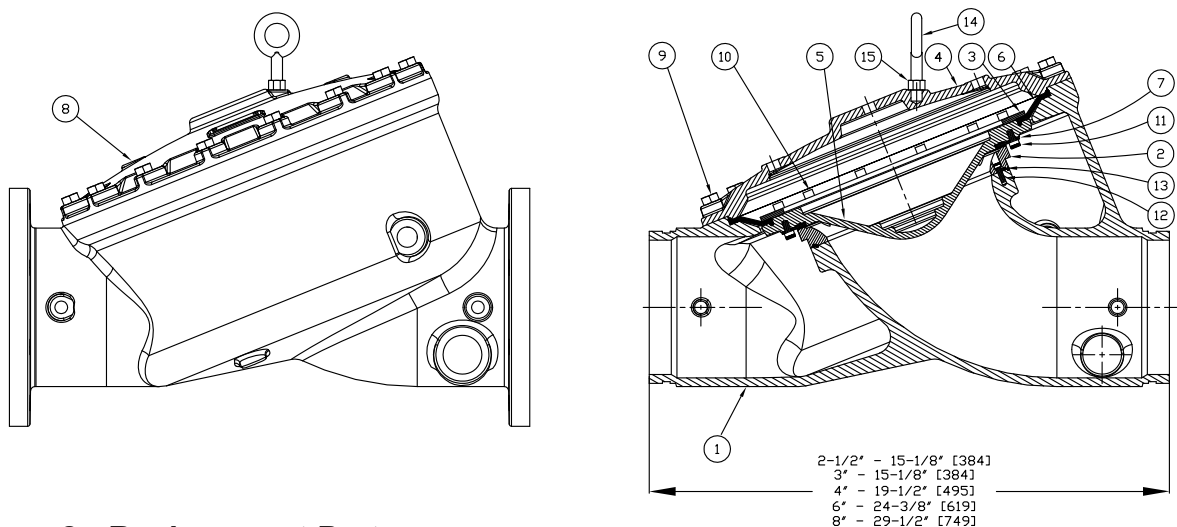


Figure 2 - Replacement Parts

ITEM NO.	PART NUMBER				DESCRIPTION	MATERIAL	NO. REQ'D.			
	2-1/2" (DN65) & 3" (DN80)	4" (DN100)	6" (DN150)	8" (DN200)			2-1/2" (DN65) & 3" (DN80)	4" (DN100)	6" (DN150)	8" (DN200)
1	--	--	--	--	Body	Ductile Iron	1	1	1	1
2	*	*	*	*	Seat	Brass	1	1	1	1
3	02493B	02378B	05704B	10514	Ring Clamp, Upper Diaphragm	Brass Casting	1	1	1	1
4	--	--	--	--	Cover	Ductile Iron 65-45-12	1	1	1	1
5	08846N	08844N	08570N	10518N/B	Clapper	Ductile Iron 65-45-12, PTFE Powder Coated	1	1	1	1
6	12012	11560	11561	10510	Upper Diaphragm	EPDM - ASTM D-2000	1	1	1	1
7	02497B	02382B	02176B	10512	Rubber Seat Assembly	EPDM - ASTM D-2000	1	1	1	1
8	--	--	--	--	Data Plate	Aluminum Etched	1	1	1	1
9	02169A				Screw, H.H.C. <sup>1</sup> , 1/2-13 x 1-1/4 (32)	Steel, SAE-Grade 5, ASTM A449	10			
		02200A			Screw, H.H.C. <sup>1</sup> , 1/2-13 x 1 1/2 (38)	Steel, SAE-Grade 5, ASTM A307-90		12		
			05707A	05707A	Screw, H.H.C. <sup>1</sup> , 5/8-11 x 1 3/4 (44)	Steel, SAE Grade 5, ASTM A307-90			15	16
10	02496A				Screw, R.H. <sup>3</sup> , 10-24 x 3/8 (9.5)	Stainless Steel UNS-S30200	6			
		02383A			Screw, H.H.C. <sup>1</sup> , 5/16-18 x 1/2 (13)	Stainless Steel UNS-S30400		8		
			07932		Screw, H.H.C. <sup>1</sup> , 3/8-16 x 1/2 (13)	Stainless Steel UNS-S30400			12	
				11022	Screw, S.H.C. <sup>2</sup> , 3/8-16 x 3/4 (19.1)	Stainless Steel UNS-S31600				12
11	02494A				Screw, R.H. <sup>3</sup> , 10-24 x 1/2 (12.7)	Stainless Steel UNS-S30200	6			
		02383A			Screw, H.H.C. <sup>1</sup> , 5/16-18 x 1/2 (13)	Stainless Steel UNS-S30400		6		
			02454A		Screw, H.H.C. <sup>1</sup> , 3/8-16 x 5/8 (16)	Stainless Steel UNS-S30400			12	
12				11021	Screw, S.H.C. <sup>2</sup> , 3/8-16 x 1/2 (12.7)	Stainless Steel UNS-S30400				12
	*				Screw, R.H. <sup>3</sup> , 10-24 x 5/8 (16)	Stainless Steel UNS-S30200	4			
		*			Screw, H.H.C. <sup>1</sup> , 5/16-18 x 1/2 (13)	Stainless Steel UNS-S30400		8		
13		*	*	*	Screw, S.H.C. <sup>2</sup> , 1/4-20 x 3/4 (19.1)	Stainless Steel UNS-S31600			8	6
	*	*	*	*	O-Ring	EPDM	1	1	1	1
14	--	--	--	11570	Eye Bolt, 5/8-11-UNC	Carbon Steel				1
15				F01256	Nut, 5/8-11-UNC	Stainless Steel				1

-- Indicates replacement part not available

\* Indicates part available only in sub-assembly listed below

### SUB-ASSEMBLY

2, 12, 13	14711-3	14711-4	14711-6	14711-8	Seat Replacement Kit*
3, 5-7, 9-11	13488	13490	13492	13484	Clapper Assembly Kit

\*Note: Includes o-ring lubricant to be added to ring groove in seat.

<sup>1</sup> Hex Head Cap Screw

<sup>2</sup> Socket Head Cap Screw, (8" Valve - #10 & 11 must be S.H.C. for clearance with seat)

<sup>3</sup> Round Head, Phillips Drive Screw



# TECHNICAL DATA

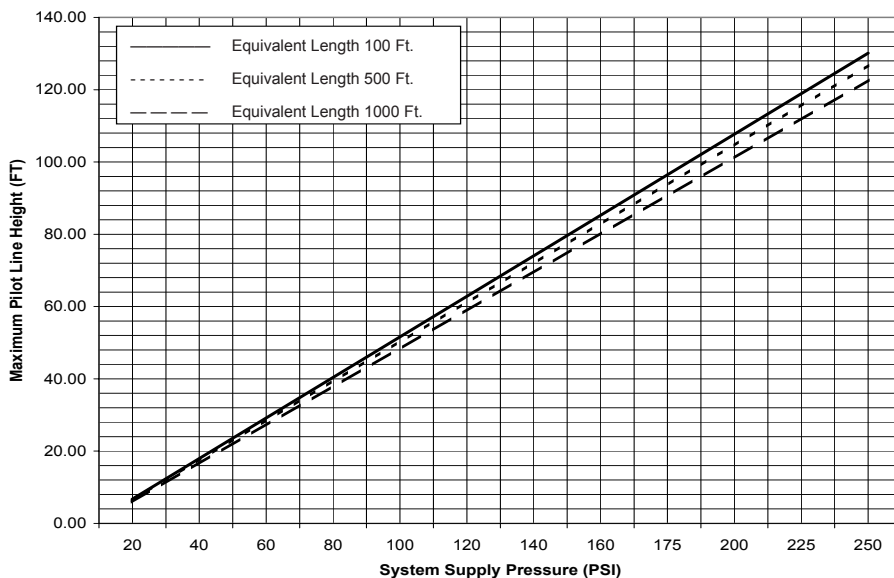
**DELUGE VALVE, MODEL F-1  
STRAIGHT THROUGH STYLE**  
2-1/2" (DN65) - 8" (DN200)

The Viking Corporation, 210 N Industrial Park Drive, Hastings MI 49058  
 Telephone: 269-945-9501 Technical Services: 877-384-5464 Fax: 269-818-1680 Email: techsvcs@vikingcorp.com  
 Visit the Viking website for the latest edition of this technical data page.

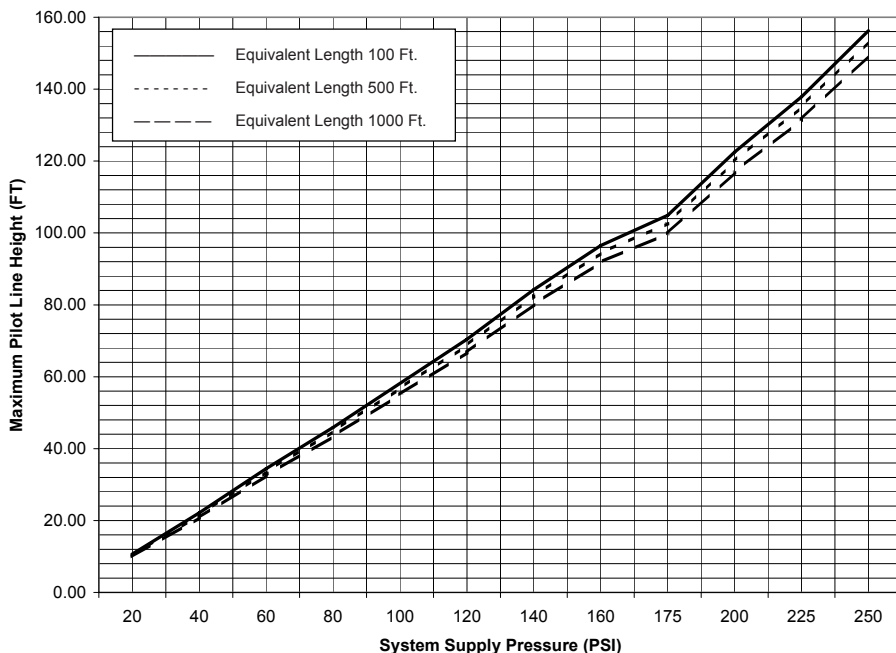
Maximum Allowable Pilot Heights for Select Equivalent Lengths of Hydraulic Release Piping.  
 For valves with 1/16" (1.6 mm) Restricted Orifice

Graphs are based on 1/2" (15 mm) pilot sprinklers installed on 1/2" (15 mm) Schedule 40 galvanized released piping.

If the maximum height of hydraulic release piping exceeds the limits shown on the graph, use pneumatic or electric release system



**Figure 3 - 2-1/2" (DN65) & 3" (DN80) Model F-1 Deluge Valves**



**Figure 4 - 4" (DN100) Model F-1 Deluge Valves**



# TECHNICAL DATA

**DELUGE VALVE, MODEL F-1  
STRAIGHT THROUGH STYLE**  
2-1/2" (DN65) - 8" (DN200)

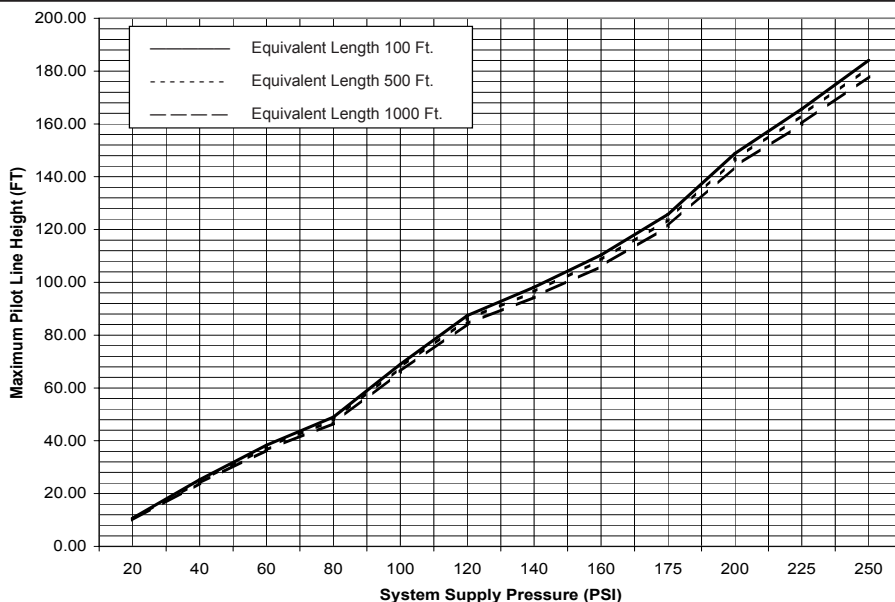
The Viking Corporation, 210 N Industrial Park Drive, Hastings MI 49058  
 Telephone: 269-945-9501 Technical Services: 877-384-5464 Fax: 269-818-1680 Email: techsvcs@vikingcorp.com  
 Visit the Viking website for the latest edition of this technical data page.

Maximum Allowable Pilot Heights for Select Equivalent Lengths of Hydraulic Release Piping.

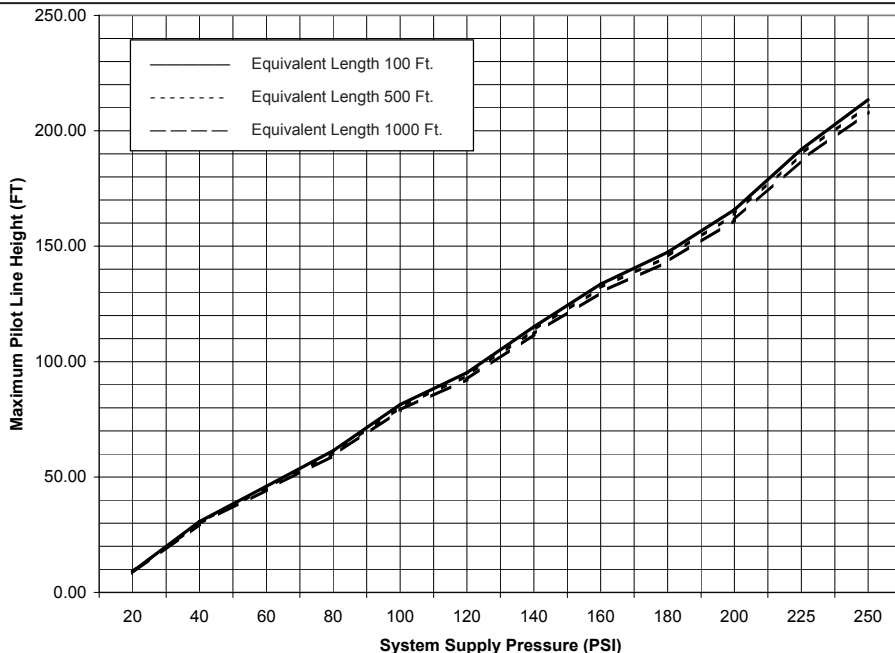
For valves with 1/16" (1.6 mm) Restricted Orifice

Graphs are based on 1/2" (15 mm) pilot sprinklers installed on 1/2" (15 mm) Schedule 40 galvanized released piping.

If the maximum height of hydraulic release piping exceeds the limits shown on the graph, use pneumatic or electric release system



**Figure 5 - 6" (DN150)  
Model F-1 Deluge Valves**



**Figure 6 - 8" (DN200)  
Model F-1 Deluge Valves**

# VIKING®

## TECHNICAL DATA

### 2-1/2" & 3" (DN65 & DN80) MODEL F DELUGE VALVE VERTICAL CONVENTIONAL TRIM CHART

Maximum 250 PSI Water Working Pressure

The Viking Corporation, 210 N Industrial Park Drive, Hastings MI 49058

Telephone: 269-945-9501 Technical Services: 877-384-5464 Fax: 269-818-1680 Email: techsvcs@vikingcorp.com

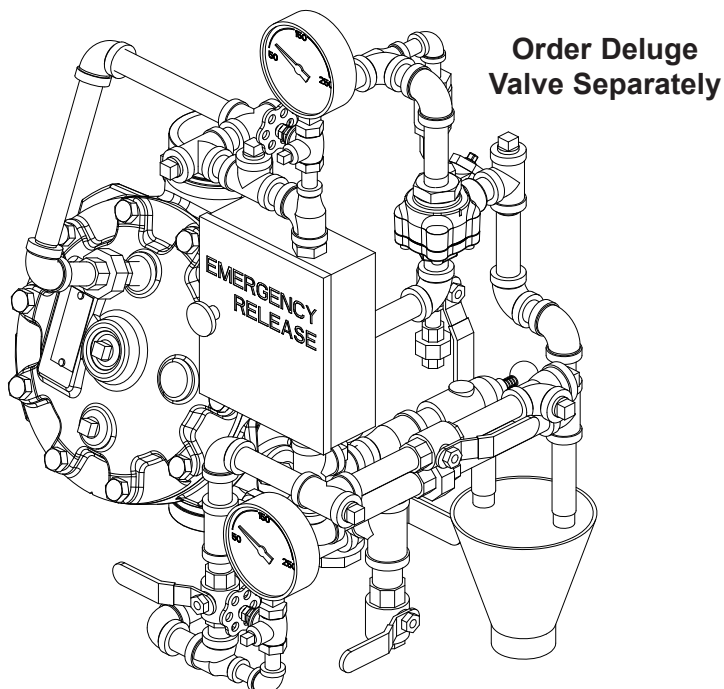


Figure 1



WARNING: Cancer and Reproductive Harm-  
www.P65Warnings.ca.gov

This Trim Chart is for use with the following Viking Trim Sets

Valve Size	Galvanized Trim Part No.	Brass Trim Part No.
2-1/2" (DN65) & 3" (DN80)	14636-1	14636-2

This Trim is for use with the following Release Module Trim Kits

Release Type	Galvanized*	Brass**
Pneumatic	<a href="#">10809</a>	<a href="#">10811</a>
Electric	<a href="#">10830</a>	<a href="#">10832</a>
Electric/ Pneumatic	<a href="#">12661-1</a>	<a href="#">12661-2</a>
Pneumatic/ Pneumatic	<a href="#">12662-1</a>	<a href="#">12662-2</a>

\* Standard Trim sets for Model F Deluge Valves consist of galvanized nipples and fittings.

\*\*Refer to Technical Data describing the Halar® Coated Deluge Valve and the *Viking Foam Systems Engineering and Design Data* book for applications where brass trim is recommended.

**Note:** Nipple lengths for brass trim may vary from those shown on this Trim Chart.

### Notes: For use with Trim Chart on Page 239a

**Note:** When viewing this data page online, [blue text](#) represents hyperlinks and will open the appropriate data page when clicked.

#### General Notes:

- Valve must be trimmed as shown. Any deviation from trim size or arrangement may affect the proper operation of the valve.
- All pipe and fittings shall be galvanized or brass except when other materials are specified in the Technical Data for the Halar® Coated Deluge Valve.
- Gauges are brass as furnished with trim.
- When Model F Deluge Valves are used on pre-mixed Foam Systems, trim piping must be of copper pipe with brass fittings unless otherwise specified in the Technical Data for the Halar® Coated Deluge Valve or the *Viking Foam Systems Engineering and Design Data* book.
- Dimensions in parentheses are millimeter and may be approximations.

**Note 1:** 1/2" (15 mm) NPT plugged outlet provided for connecting certain optional components and associated trim.

**Note 2:** Release System connection. Viking Deluge and Flow Control Valves are compatible with hydraulic, pneumatic, and electric release systems. A Pneumatic Actuator is required on all Viking Deluge Valves and Flow Control Valves equipped with Pneumatic Release Systems.

**Note 3:** Alarm Connections: Connect alarm line piping to 3/4" (20 mm) NPT outlet. When using a Water Motor Alarm, a strainer is required. 1/2" (15 mm) NPT outlet is for electric Alarm Pressure Switch.

**Note 4:** Optional non-interruptible connection for Alarm Pressure Switch to activate electric alarm panel. Note: After the Deluge Valve trips, this location cannot be shut off. Alarms may operate until the outlet chamber of the deluge valve is de-pressurized below the set point of the Alarm Pressure Switch.

**Note 5:** Viking Drain Check Valve is manufactured with a 0.067" (1.7 mm) orifice to allow alarm line to drain. DO NOT substitute. Check label for proper orientation.

**Note 6:** Inlet side of PORV is connected to the top chamber of the deluge valve. Inlet of PORV should be facing up. Outlet goes to open drain.

Replaces Form No. F\_121703 Rev April 15, 2011



# TECHNICAL DATA

**2-1/2" & 3" (DN65 & DN80) MODEL F DELUGE VALVE VERTICAL CONVENTIONAL TRIM CHART**  
 Maximum 250 PSI Water Working Pressure

The Viking Corporation, 210 N Industrial Park Drive, Hastings MI 49058

Telephone: 269-945-9501 Technical Services: 877-384-5464 Fax: 269-818-1680 Email: techsvcs@vikingcorp.com

Refer to page 239a for General Notes and Notes 1 through 6.

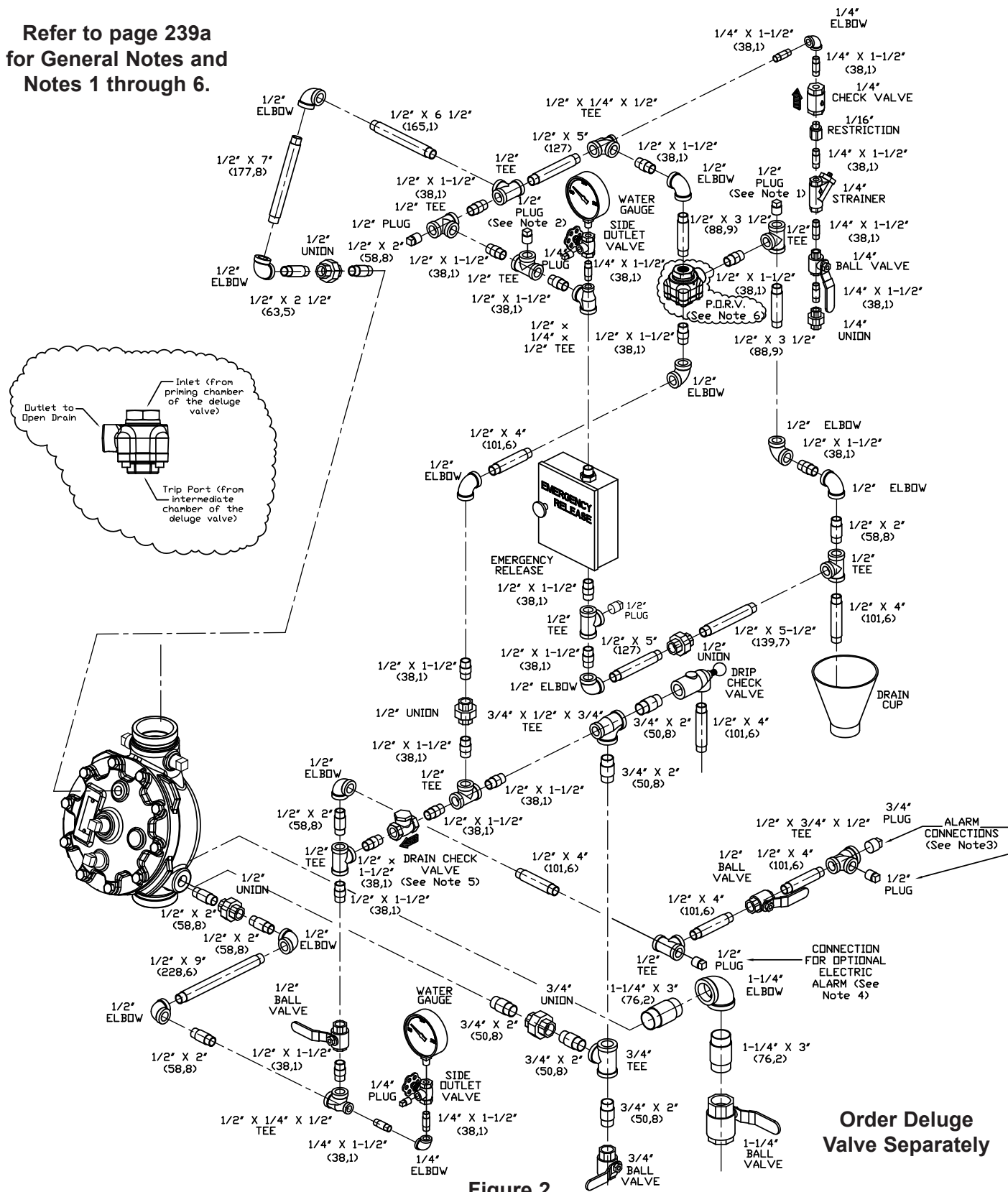


Figure 2

**Order Deluge Valve Separately**





# TECHNICAL DATA

**2-1/2" & 3" (DN65 & DN80) MODEL F DELUGE VALVE VERTICAL CONVENTIONAL TRIM CHART**

Maximum 250 PSI Water Working Pressure

The Viking Corporation, 210 N Industrial Park Drive, Hastings MI 49058

Telephone: 269-945-9501 Technical Services: 877-384-5464 Fax: 269-818-1680 Email: techsvcs@vikingcorp.com

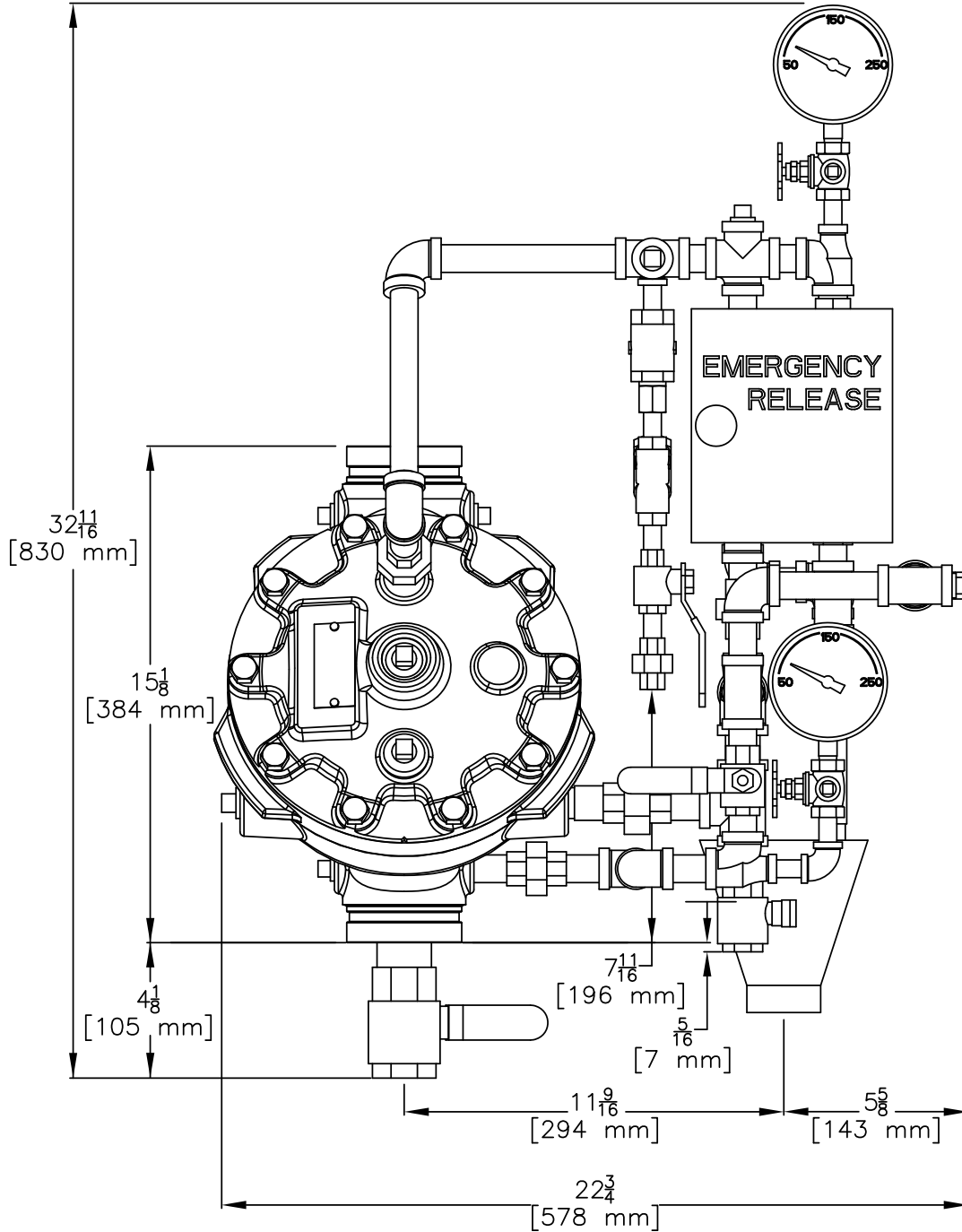


Figure 3a: Installation Dimensions



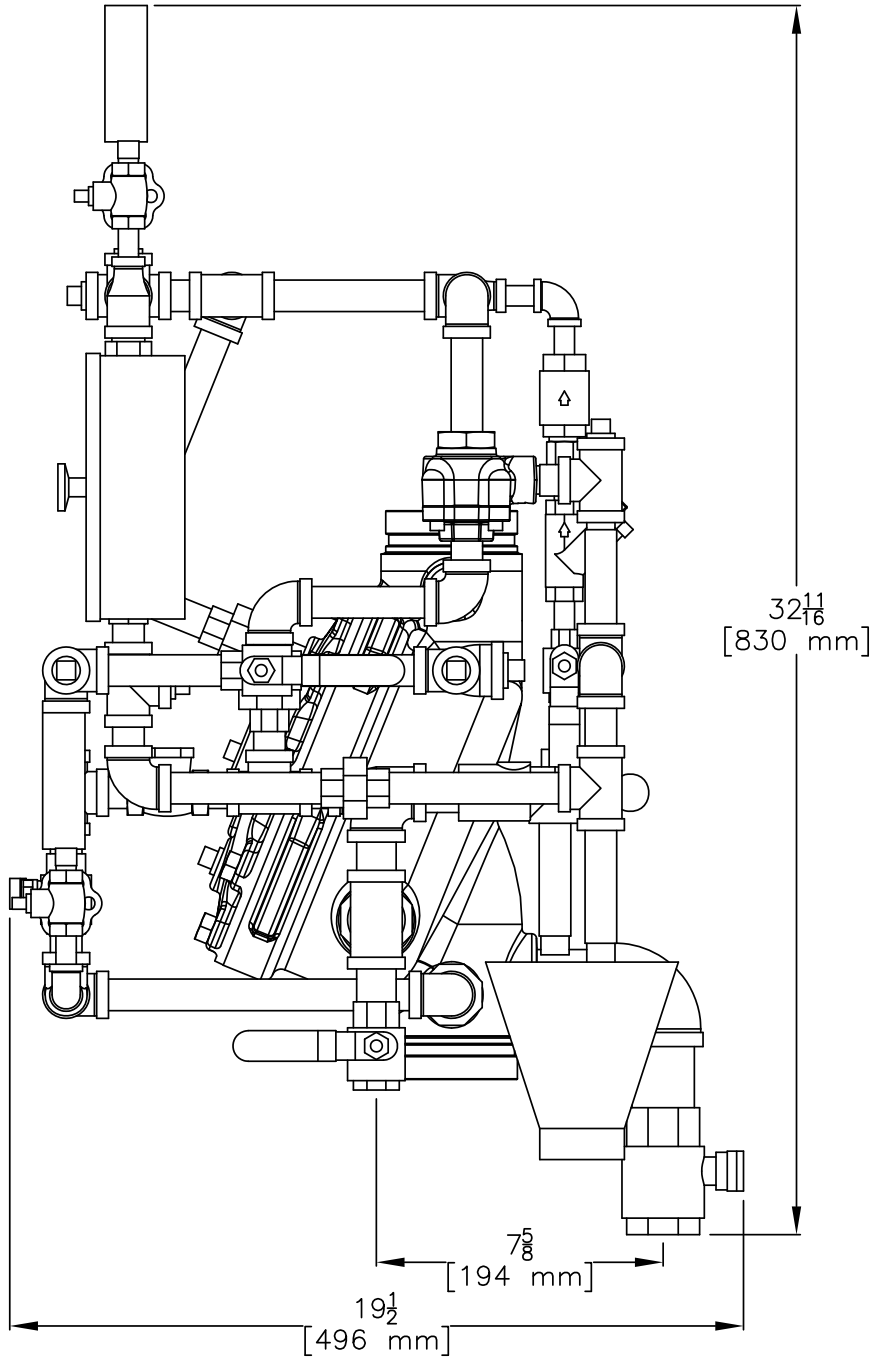
**TECHNICAL DATA**

**2-1/2" & 3" (DN65 & DN80) MODEL F DELUGE VALVE VERTICAL CONVENTIONAL TRIM CHART**

Maximum 250 PSI Water Working Pressure

The Viking Corporation, 210 N Industrial Park Drive, Hastings MI 49058

Telephone: 269-945-9501 Technical Services: 877-384-5464 Fax: 269-818-1680 Email: techsvcs@vikingcorp.com



**Figure 3b: Installation Dimensions**

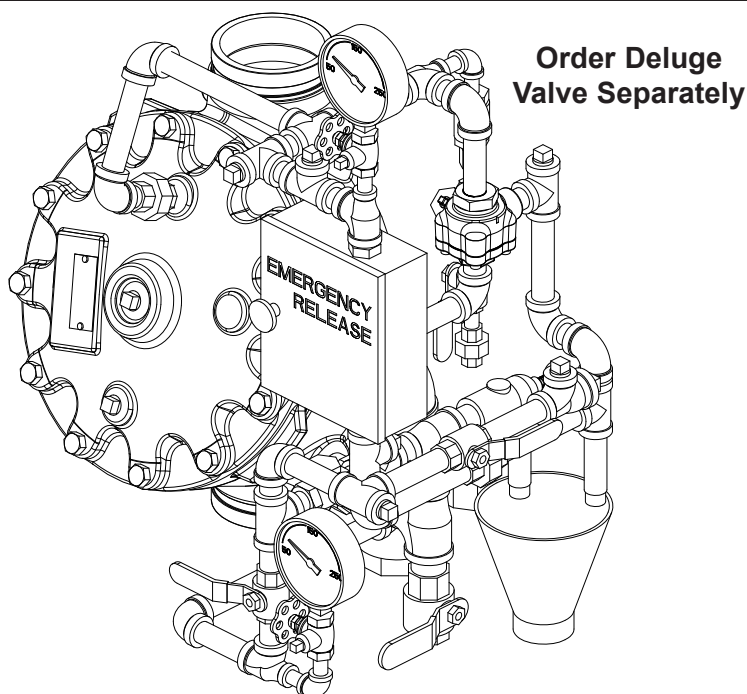


# TECHNICAL DATA

## 4" (DN100) MODEL F-1 STRAIGHT THROUGH DELUGE VALVE VERTICAL CONVENTIONAL TRIM CHART Maximum 250 PSI WWP

The Viking Corporation, 210 N Industrial Park Drive, Hastings MI 49058

Telephone: 269-945-9501 Technical Services: 877-384-5464 Fax: 269-818-1680 Email: techsvcs@vikingcorp.com



**Figure 1**



**WARNING:** Cancer and Reproductive Harm-  
www.P65Warnings.ca.gov

This Trim Chart is for use with the following Viking Trim Sets

Valve Size	Galvanized Trim Part No.	Brass Trim Part No.
4" (DN80)	14639-1	14639-2

This Trim is for use with the following Release Module Trim Kits

Release Type	Galvanized*	Brass**
Pneumatic	<a href="#">10809</a>	<a href="#">10811</a>
Electric	<a href="#">10830</a>	<a href="#">10832</a>
Electric/ Pneumatic	<a href="#">12661-1</a>	<a href="#">12661-2</a>
Pneumatic/ Pneumatic	<a href="#">12662-1</a>	<a href="#">12662-2</a>

\* Standard Trim sets for Model F Deluge Valves consist of galvanized nipples and fittings.

\*\*Refer to Technical Data describing the Halar® Coated Deluge Valve and the *Viking Foam Systems Engineering Design Data* book for applications where brass trim is recommended.

**Note:** Nipple lengths for brass trim may vary from those shown on this Trim Chart.

### Notes: For use with Trim Chart on Page 240f

**Note:** When viewing this data page online, [blue text](#) represents hyperlinks and will open the appropriate data page when clicked.

#### General Notes:

- Valve must be trimmed as shown. Any deviation from trim size or arrangement may affect the proper operation of the valve.
- All pipe 3/4" (20 mm) and smaller shall be galvanized steel except when other materials are specified in the Technical Data for the Halar® Coated Deluge Valve or when other materials are specified in the *Viking Foam Systems Engineering and Design Data* book.
- When Model F Deluge Valves are used on pre-mixed Foam Systems, trim piping must be of copper pipe with brass fittings unless otherwise specified in the Technical Data for the Halar® Coated Deluge Valve or the *Viking Foam Systems Engineering and Design Data* book.
- Dimensions in parentheses are millimeter and may be approximations.

**Note 1:** 1/2" (15 mm) NPT plugged outlet provided for connecting certain optional components and associated trim.

**Note 2:** Release System connection. Viking Deluge and Flow Control Valves are compatible with hydraulic, pneumatic, and electric release systems. A Pneumatic Actuator is required on all Viking Deluge Valves and Flow Control Valves equipped with Pneumatic Release Systems.

**Note 3:** Alarm Connections: Connect alarm line piping to 3/4" (20 mm) NPT outlet. When using a Water Motor Alarm, a strainer is required. 1/2" (15 mm) NPT outlet is for electric Alarm Pressure Switch.

**Note 4:** Optional non-interruptible connection for Alarm Pressure Switch to activate electric alarm panel. Note: After the Deluge Valve trips, this location cannot be shut off. Alarms may operate until the outlet chamber of the deluge valve is de-pressurized below the set point of the Alarm Pressure Switch.

**Note 5:** Viking Drain Check Valve is manufactured with a 0.067" (1.7 mm) orifice to allow alarm line to drain. Do not substitute. Check label for proper orientation.

**Note 6:** Inlet side of PORV is connected to the top chamber of the deluge valve. Inlet of PORV should be facing up. Outlet goes to open drain.



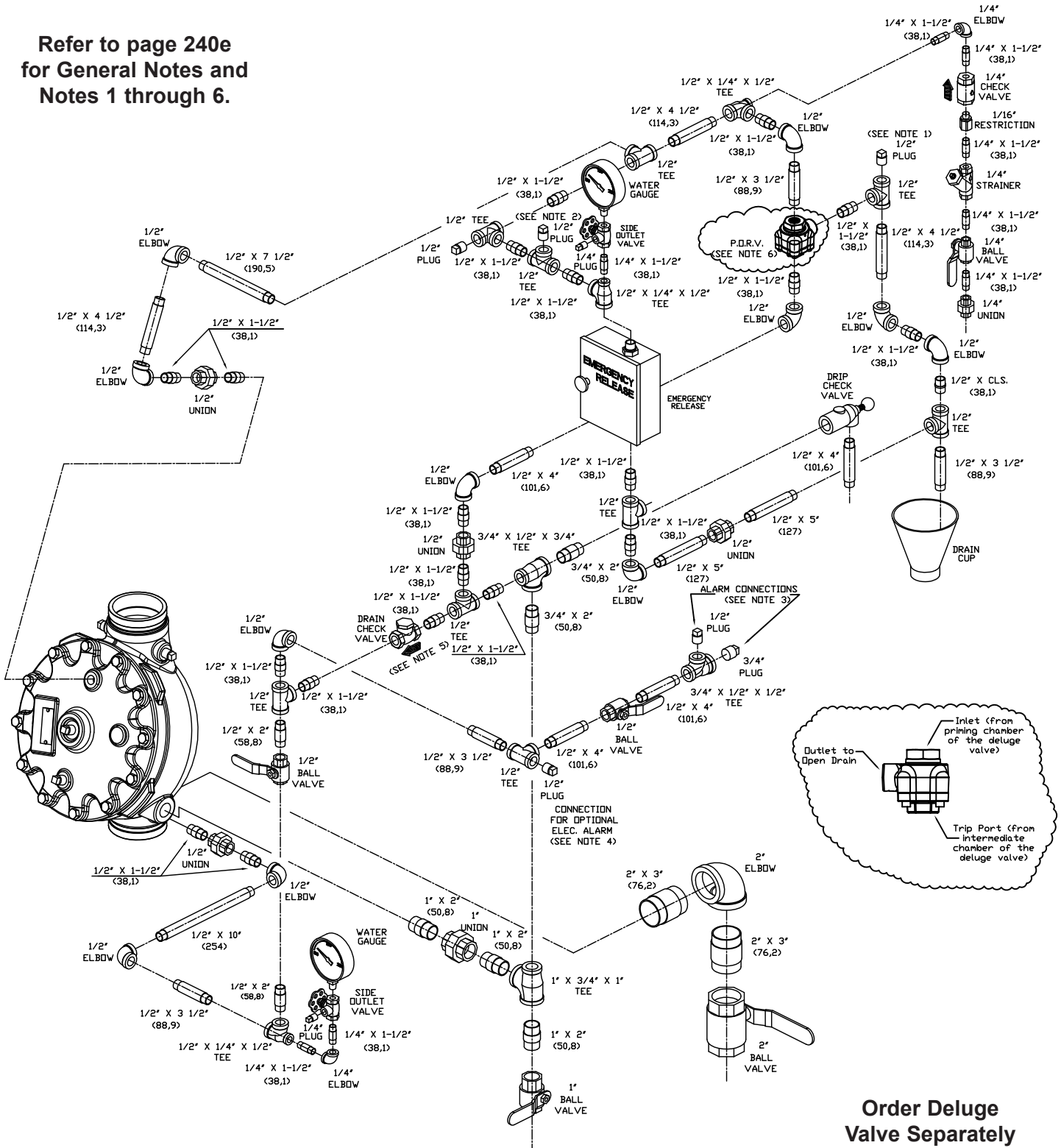
# TECHNICAL DATA

## 4" (DN100) MODEL F-1 STRAIGHT THROUGH DELUGE VALVE VERTICAL CONVENTIONAL TRIM CHART Maximum 250 PSI WWP

The Viking Corporation, 210 N Industrial Park Drive, Hastings MI 49058

Telephone: 269-945-9501 Technical Services: 877-384-5464 Fax: 269-818-1680 Email: techsvcs@vikingcorp.com

Refer to page 240e for General Notes and Notes 1 through 6.



**Order Deluge Valve Separately**

Figure 2



# TECHNICAL DATA

**4" (DN100) MODEL F-1 STRAIGHT THROUGH DELUGE VALVE VERTICAL CONVENTIONAL TRIM CHART** Maximum 250 PSI WWP

The Viking Corporation, 210 N Industrial Park Drive, Hastings MI 49058

Telephone: 269-945-9501 Technical Services: 877-384-5464 Fax: 269-818-1680 Email: techsvcs@vikingcorp.com

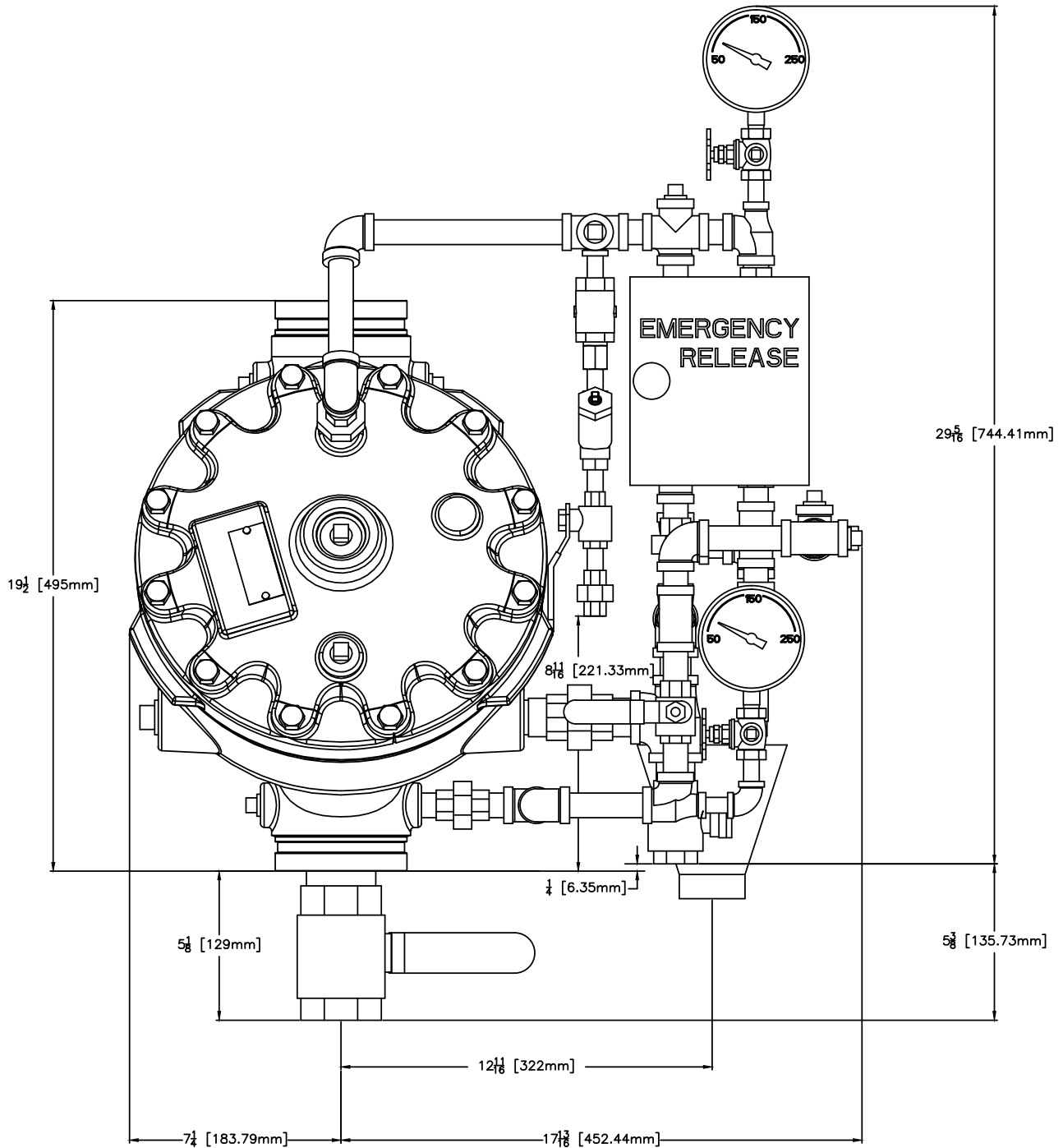


Figure 3a: Installation Dimensions

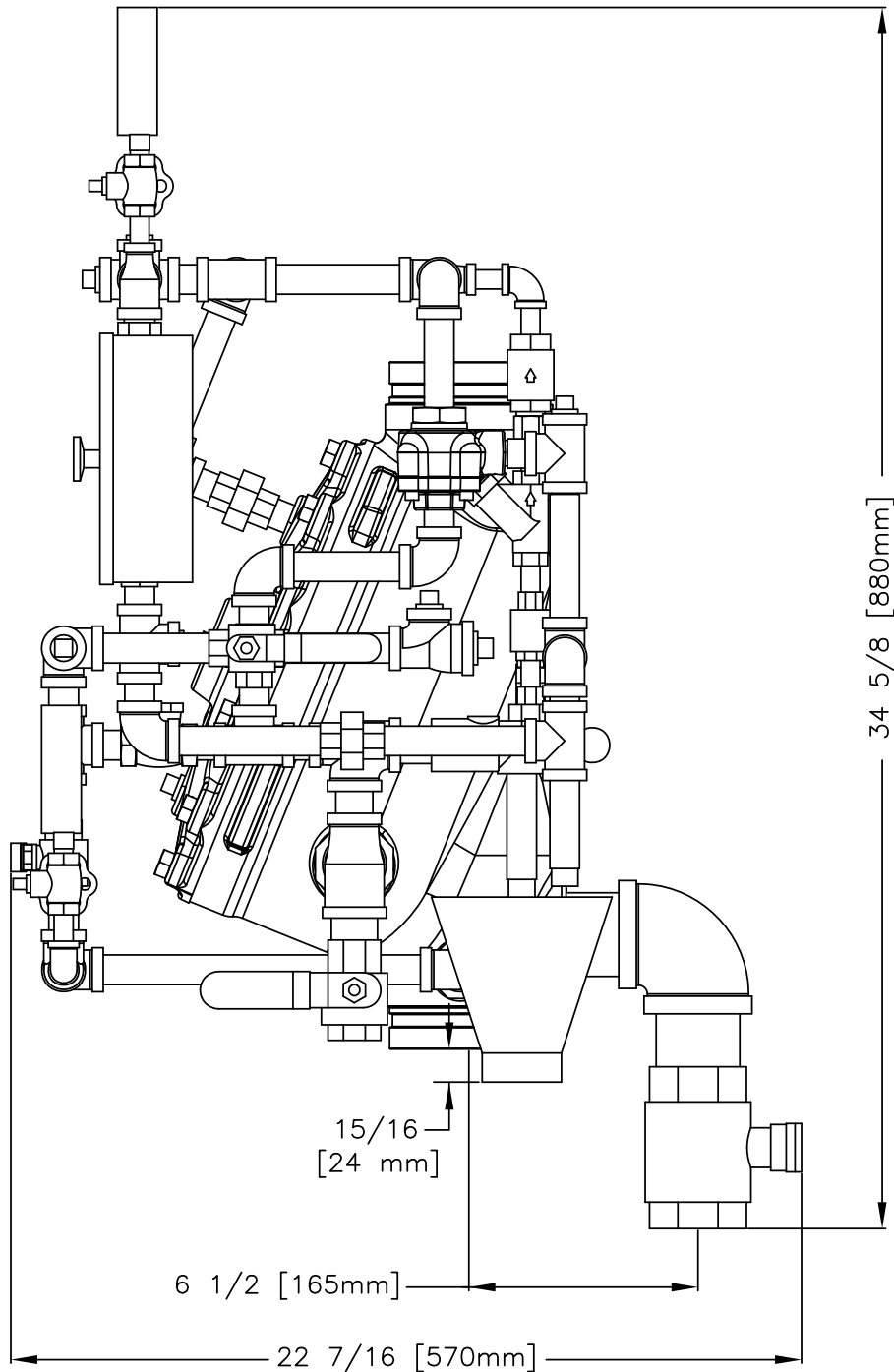


**TECHNICAL DATA**

**4" (DN100) MODEL F-1 STRAIGHT THROUGH DELUGE VALVE  
VERTICAL CONVENTIONAL TRIM  
CHART** Maximum 250 PSI WWP

The Viking Corporation, 210 N Industrial Park Drive, Hastings MI 49058

Telephone: 269-945-9501 Technical Services: 877-384-5464 Fax: 269-818-1680 Email: techsvcs@vikingcorp.com



**Figure 3b: Installation Dimensions**

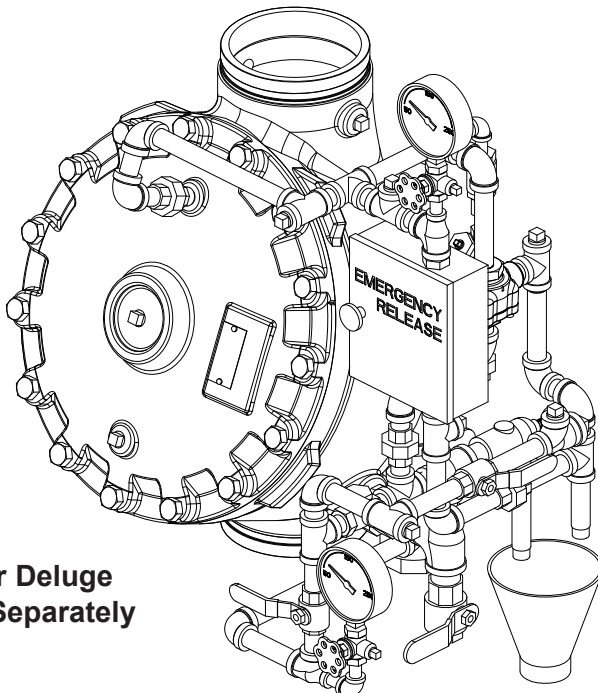


# TECHNICAL DATA

## DELUGE TRIM 6" (DN150) MODEL F-1 STRAIGHT THROUGH VERTICAL VALVE

The Viking Corporation, 210 N Industrial Park Drive, Hastings MI 49058

Telephone: 269-945-9501 Technical Services: 877-384-5464 Fax: 269-818-1680 Email: techsvcs@vikingcorp.com



**Order Deluge  
Valve Separately**

**Figure 1**



**WARNING:** Cancer and Reproductive Harm-  
www.P65Warnings.ca.gov

This Trim Chart is for use with  
the following Viking Trim Sets

Valve Size	Galvanized Trim Part No.	Brass Trim Part No.
6" (DN150)	14641-1	14641-2

This Trim is for use with the following  
Release Module Trim Kits

Release Type	Galvanized*	Brass**
Pneumatic	<a href="#">10809</a>	<a href="#">10811</a>
Electric	<a href="#">10830</a>	<a href="#">10832</a>
Electric/ Pneumatic	<a href="#">12661-1</a>	<a href="#">12661-2</a>
Pneumatic/ Pneumatic	<a href="#">12662-1</a>	<a href="#">12662-2</a>

\* Standard Trim sets for Model F Deluge Valves consist of galvanized nipples and fittings.

\*\*Refer to Technical Data describing the Halar® Coated Deluge Valve and the *Viking Foam Systems Engineering Design Data* book for applications where brass trim is recommended.

**Note:** Nipple lengths for brass trim may vary from those shown on this Trim Chart.

### Notes: For use with Trim Chart on Page 241f

**Note:** When viewing this data page online, [blue text](#) represents hyperlinks and will open the appropriate data page when clicked.

#### General Notes:

- Valve must be trimmed as shown. Any deviation from trim size or arrangement may affect the proper operation of the valve.
- All pipe 3/4" (20 mm) and smaller shall be galvanized steel except when other materials are specified in the Technical Data for the Halar® Coated Deluge Valve or when other materials are specified in the *Viking Foam Systems Engineering and Design Data* book.
- When Model F Deluge Valves are used on pre-mixed Foam Systems, trim piping must be of copper pipe with brass fittings unless otherwise specified in the Technical Data for the Halar® Coated Deluge Valve or the *Viking Foam Systems Engineering and Design Data* book.
- Dimensions in parentheses are millimeter and may be approximations.

**Note 1:** 1/2" (15 mm) NPT plugged outlet provided for connecting certain optional components and associated trim.

**Note 2:** Release System connection. Viking Deluge and Flow Control Valves are compatible with hydraulic, pneumatic, and electric release systems. A Pneumatic Actuator is required on all Viking Deluge Valves and Flow Control Valves equipped with Pneumatic Release Systems.

**Note 3:** Alarm Connections: Connect alarm line piping to 3/4" (20 mm) NPT outlet. When using a Water Motor Alarm, a strainer is required. 1/2" (15 mm) NPT outlet is for electric Alarm Pressure Switch.

**Note 4:** Optional non-interruptible connection for Alarm Pressure Switch to activate electric alarm panel. Note: After the Deluge Valve trips, this location cannot be shut off. Alarms may operate until the outlet chamber of the deluge valve is de-pressurized below the set point of the Alarm Pressure Switch.

**Note 5:** Viking Drain Check Valve is manufactured with a 0.067" (1.7 mm) orifice to allow alarm line to drain. DO NOT substitute. Check label for proper orientation.

**Note 6:** Inlet side of PORV is connected to the top chamber of the deluge valve. Inlet of PORV should be facing up. Outlet goes to open drain.



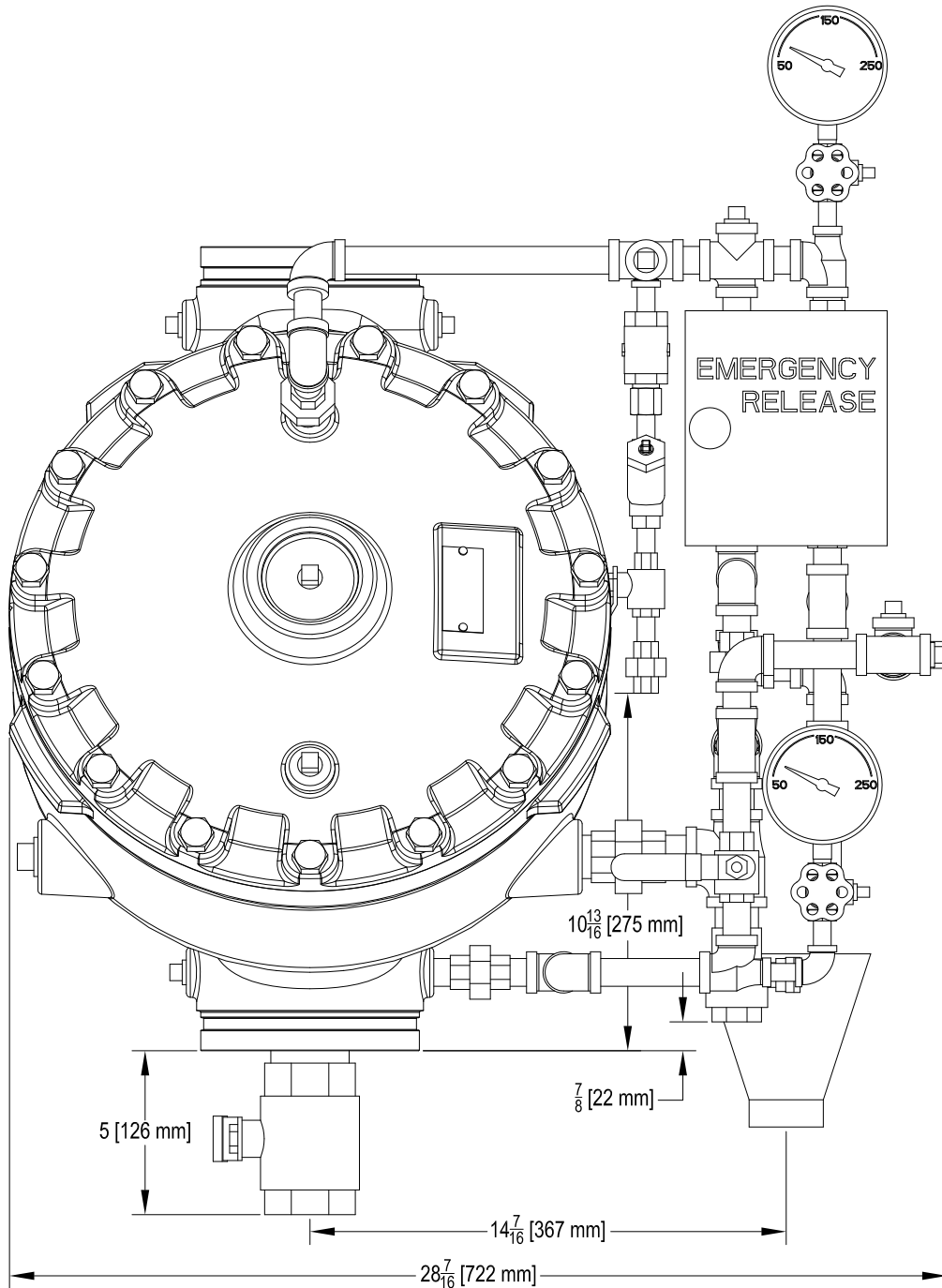




**TECHNICAL DATA**

**DELUGE TRIM**  
**6" (DN150) MODEL F-1**  
**STRAIGHT THROUGH VERTICAL VALVE**

The Viking Corporation, 210 N Industrial Park Drive, Hastings MI 49058  
 Telephone: 269-945-9501 Technical Services: 877-384-5464 Fax: 269-818-1680 Email: techsvcs@vikingcorp.com



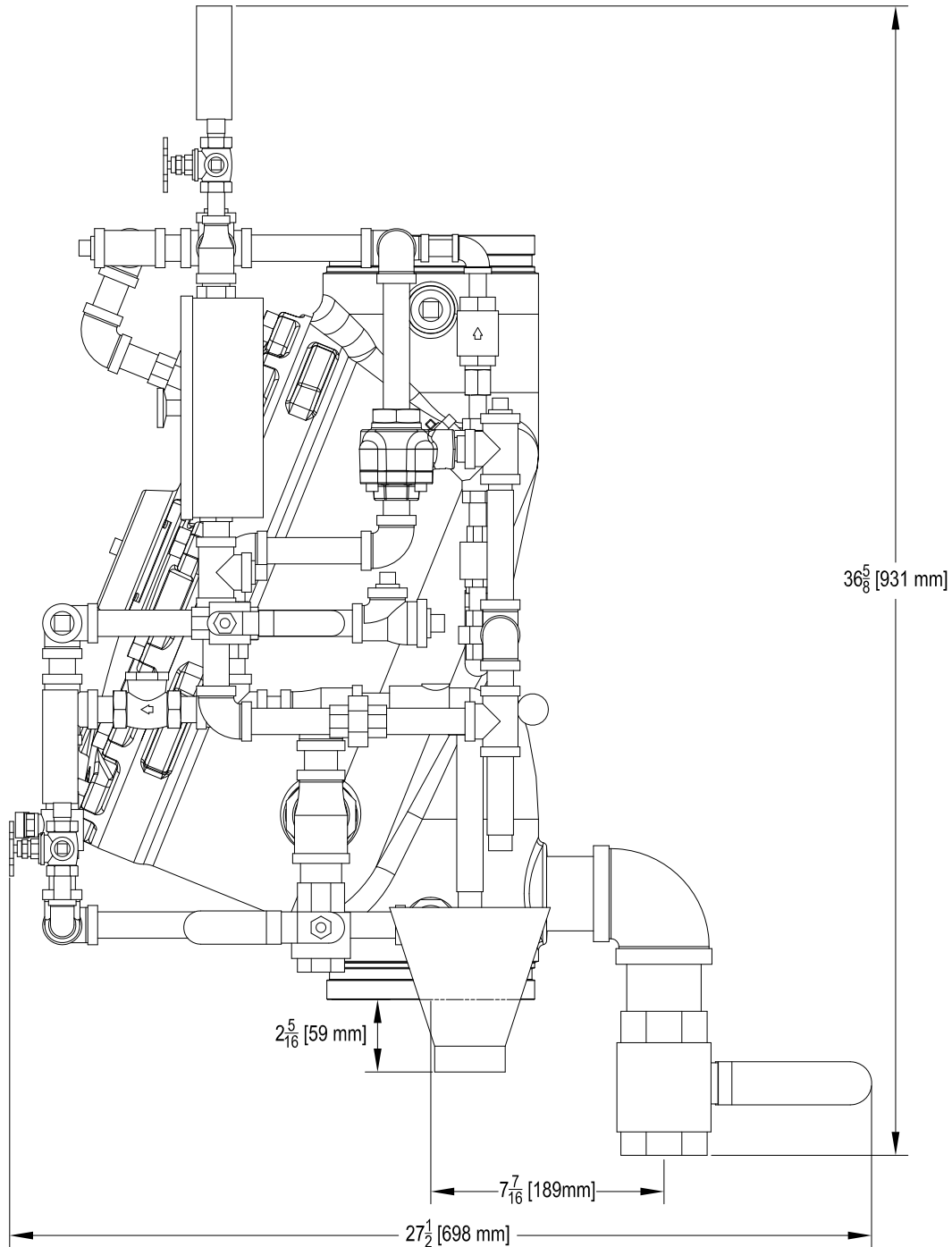
**Figure 3a: Installation Dimensions**



# TECHNICAL DATA

**DELUGE TRIM**  
**6" (DN150) MODEL F-1**  
**STRAIGHT THROUGH VERTICAL VALVE**

The Viking Corporation, 210 N Industrial Park Drive, Hastings MI 49058  
Telephone: 269-945-9501 Technical Services: 877-384-5464 Fax: 269-818-1680 Email: techsvcs@vikingcorp.com



**Figure 3b: Installation Dimensions**



# TECHNICAL DATA

## DELUGE TRIM 8" (DN200) MODEL F-1 STRAIGHT THROUGH VERTICAL VALVE

The Viking Corporation, 210 N Industrial Park Drive, Hastings MI 49058  
 Telephone: 269-945-9501 Technical Services: 877-384-5464 Fax: 269-818-1680 Email: techsvcs@vikingcorp.com  
 Visit the Viking website for the latest edition of this technical data page [www.vikinggroupinc.com](http://www.vikinggroupinc.com).

Order Deluge  
Valve Separately

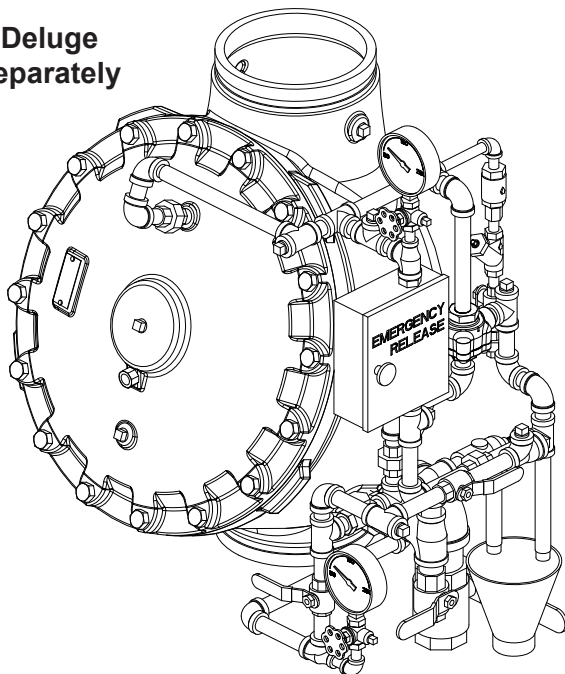


Figure 1



WARNING: Cancer and Reproductive Harm-  
[www.P65Warnings.ca.gov](http://www.P65Warnings.ca.gov)

This Trim Chart is for use with  
the following Viking Trim Sets

Valve Size	Galvanized Trim Part No.	Brass Trim Part No.
8" (DN200)	14642-1	14642-2

This Trim is for use with the following  
Release Module Trim Kits

Release Type	Galvanized*	Brass**
Pneumatic	<a href="#">10809</a>	<a href="#">10811</a>
Electric	<a href="#">10830</a>	<a href="#">10832</a>
Electric/ Pneumatic	<a href="#">12661-1</a>	<a href="#">12661-2</a>
Pneumatic/ Pneumatic	<a href="#">12662-1</a>	<a href="#">12662-2</a>

\* Standard Trim sets for Model F Deluge Valves consist of galvanized nipples and fittings.

\*\*Refer to Technical Data describing the Halar® Coated Deluge Valve and the Viking Website for applications where brass trim is recommended.

**Note:** Nipple lengths for brass trim may vary from those shown on this Trim Chart.

### Notes: For use with Trim Chart on Page 2

**Note:** When viewing this data page online, [blue text](#) represents hyperlinks and will open the appropriate data page when clicked.

### General Notes:

- Valve must be trimmed as shown. Any deviation from trim size or arrangement may affect the proper operation of the valve.
- All pipe 3/4" (20 mm) and smaller shall be galvanized steel except when other materials are specified in the Technical Data for the Halar® Coated Deluge Valve or when other materials are specified on the Viking website.
- When Model F Deluge Valves are used on pre-mixed Foam Systems, trim piping must be black steel pipe with cast iron or malleable iron fittings unless otherwise specified in the Technical Data for the Halar® Coated Deluge Valve or the Viking website.
- Dimensions in parentheses are millimeter and may be approximations.

**Note 1:** 1/2" (15 mm) NPT plugged outlet provided for connecting certain optional components and associated trim.

**Note 2:** Release System connection. Viking Deluge and Flow Control Valves are compatible with hydraulic, pneumatic, and electric release systems. A Pneumatic Actuator is required on all Viking Deluge Valves and Flow Control Valves equipped with Pneumatic Release Systems.

**Note 3:** Alarm Connections: Connect alarm line piping to 3/4" (20 mm) NPT outlet. When using a Water Motor Alarm, a strainer is required. 1/2" (15 mm) NPT outlet is for electric Alarm Pressure Switch.

**Note 4:** Optional non-interruptible connection for Alarm Pressure Switch to activate electric alarm panel. Note: After the Deluge Valve trips, this location cannot be shut off. Alarms may operate until the outlet chamber of the deluge valve is de-pressurized below the set point of the Alarm Pressure Switch.

**Note 5:** Viking Drain Check Valve is manufactured with a 0.067" (1.7 mm) orifice to allow alarm line to drain. DO NOT substitute. Check label for proper orientation.

**Note 6:** Inlet side of PORV is connected to the top chamber of the deluge valve. Inlet of PORV should be facing up. Outlet goes to open drain.

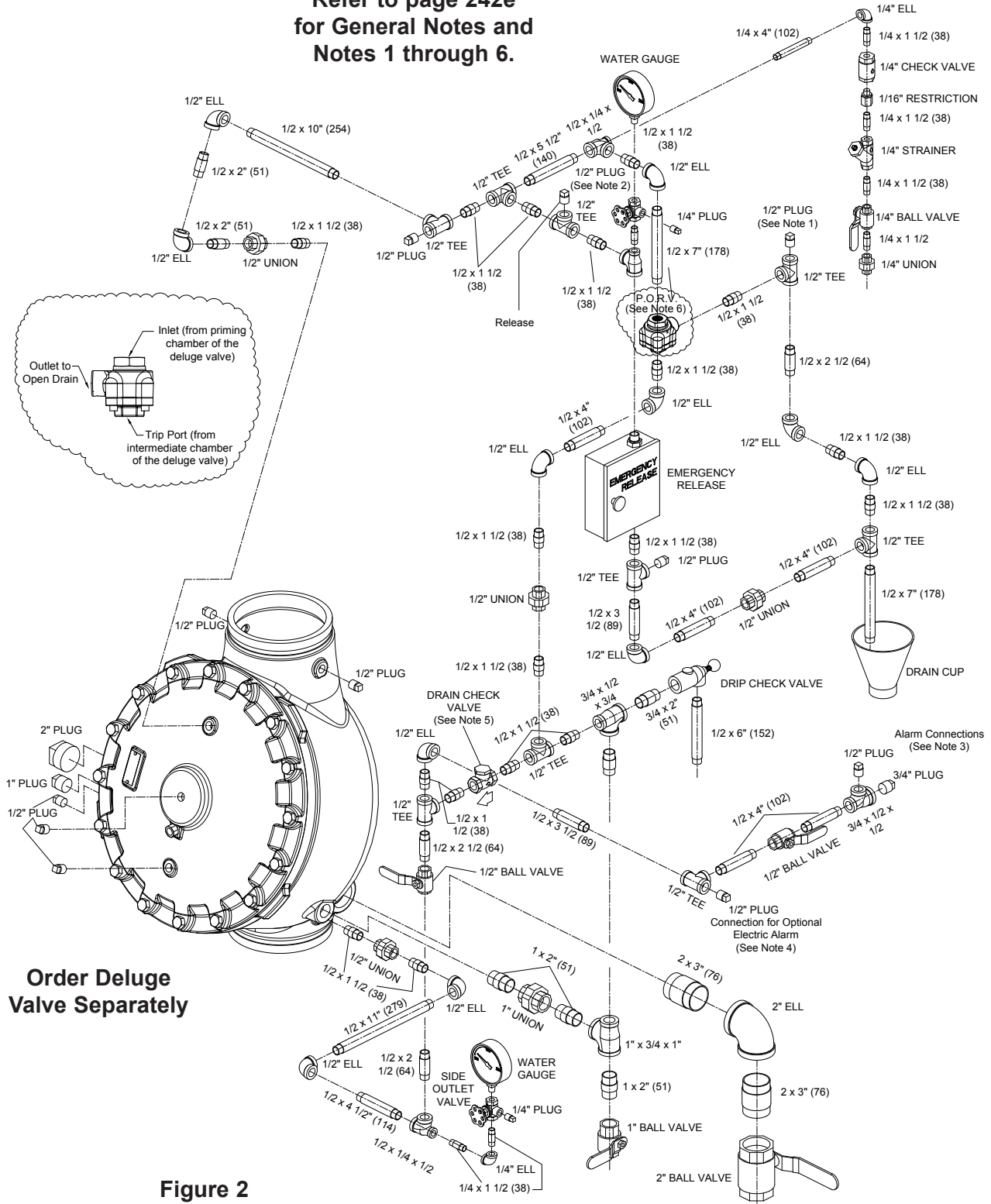


# TECHNICAL DATA

## DELUGE TRIM 8" (DN200) MODEL F-1 STRAIGHT THROUGH VERTICAL VALVE

The Viking Corporation, 210 N Industrial Park Drive, Hastings MI 49058  
 Telephone: 269-945-9501 Technical Services: 877-384-5464 Fax: 269-818-1680 Email: techsvcs@vikingcorp.com  
 Visit the Viking website for the latest edition of this technical data page www.vikinggroupinc.com.

Refer to page 242e  
 for General Notes and  
 Notes 1 through 6.



**Order Deluge  
 Valve Separately**

**Figure 2**



# TECHNICAL DATA

**DELUGE TRIM**  
**8" (DN200) MODEL F-1**  
**STRAIGHT THROUGH VERTICAL VALVE**

The Viking Corporation, 210 N Industrial Park Drive, Hastings MI 49058  
 Telephone: 269-945-9501 Technical Services: 877-384-5464 Fax: 269-818-1680 Email: techsvcs@vikingcorp.com  
 Visit the Viking website for the latest edition of this technical data page www.vikinggroupinc.com.

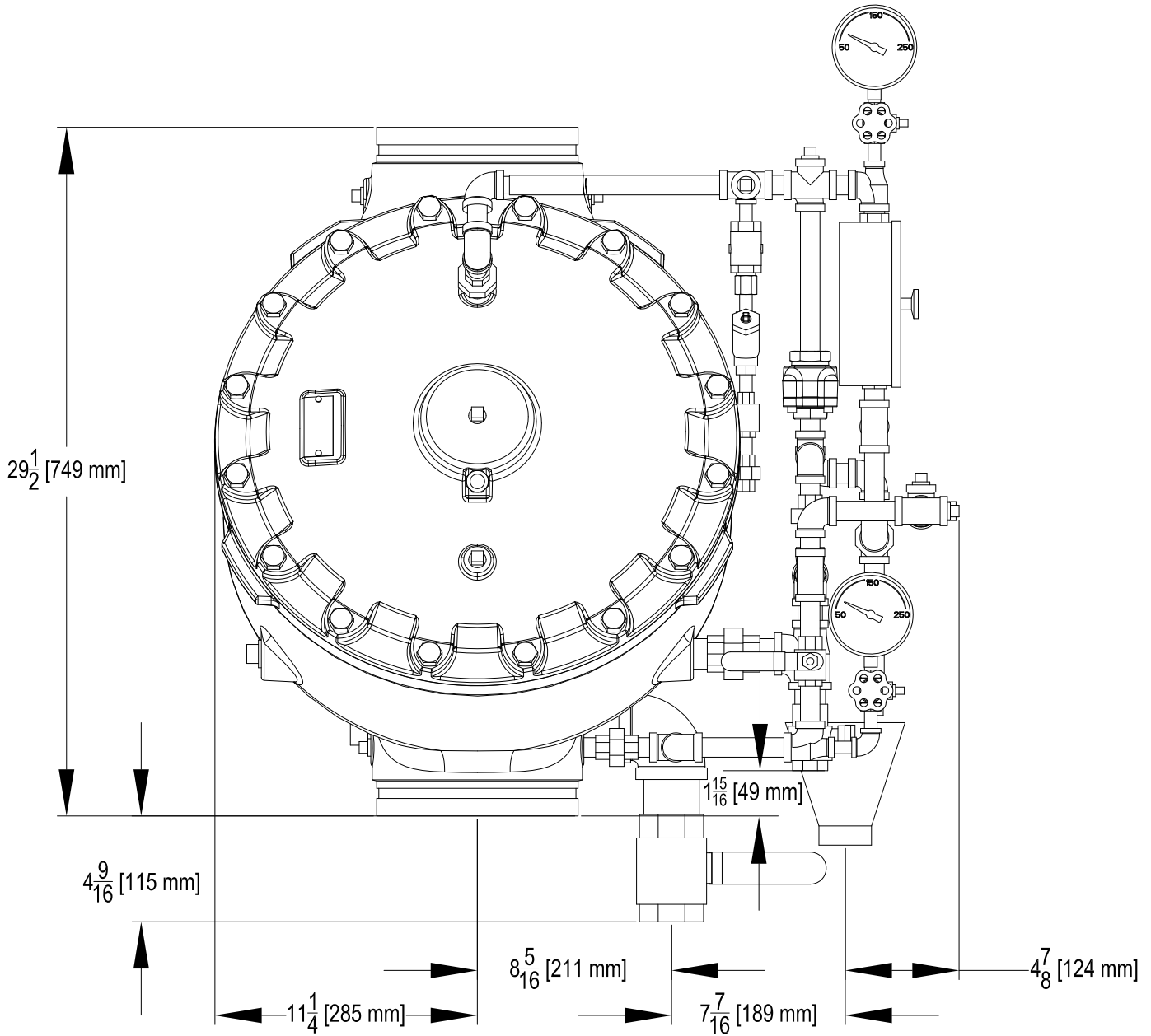


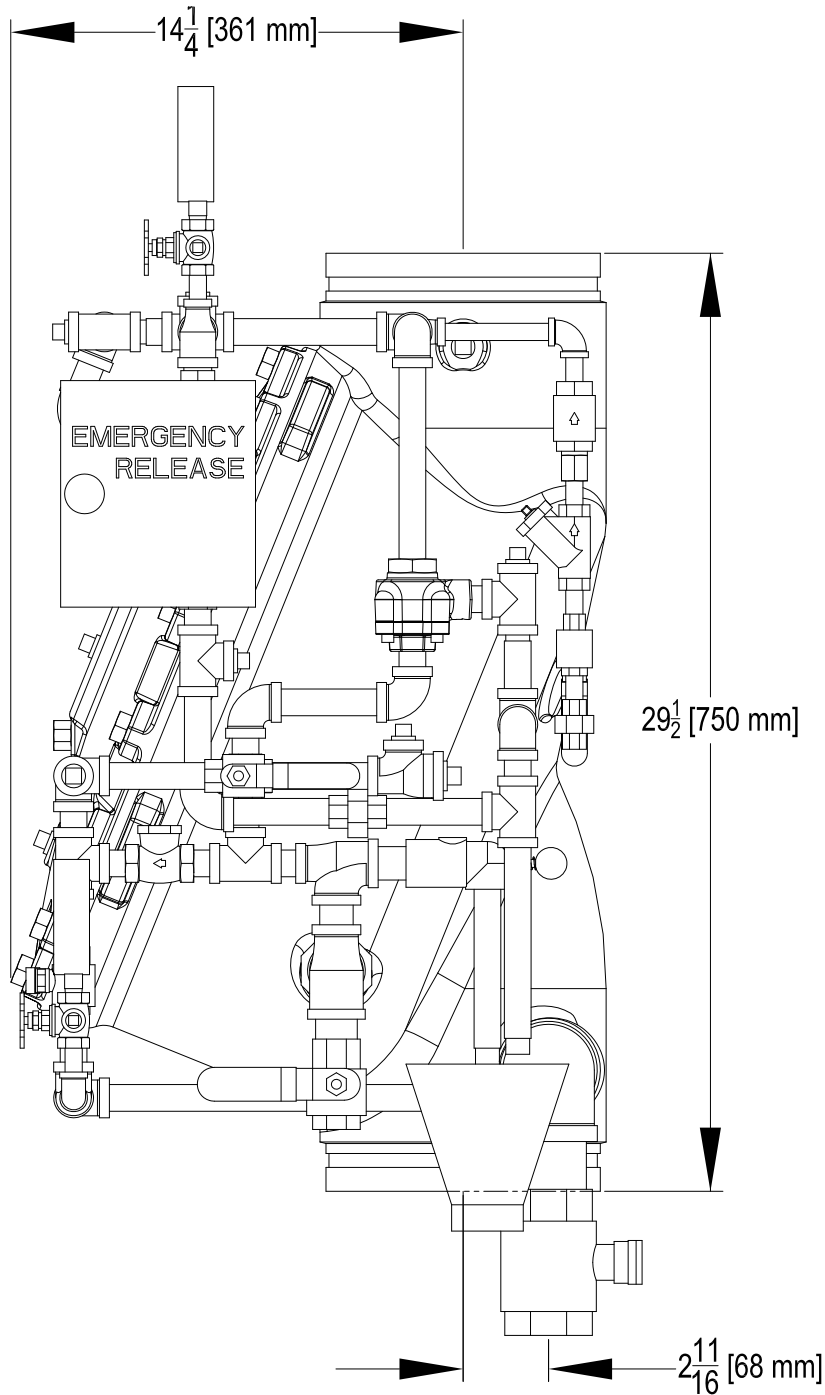
Figure 3a: Installation Dimensions



**TECHNICAL DATA**

**DELUGE TRIM**  
**8" (DN200) MODEL F-1**  
**STRAIGHT THROUGH VERTICAL VALVE**

The Viking Corporation, 210 N Industrial Park Drive, Hastings MI 49058  
 Telephone: 269-945-9501 Technical Services: 877-384-5464 Fax: 269-818-1680 Email: techsvcs@vikingcorp.com  
 Visit the Viking website for the latest edition of this technical data page www.vikinggroupinc.com.



**Figure 3b: Installation Dimensions**



# TECHNICAL DATA

## SOLENOID VALVES RATED TO 250 PSI (17.2 BAR)

The Viking Corporation, 210 N Industrial Park Drive, Hastings MI 49058

Telephone: 269-945-9501 Technical Services: 877-384-5464 Fax: 269-818-1680 Email: techsvcs@vikingcorp.com

Visit the Viking website for the latest edition of this technical data page [www.vikinggroupinc.com](http://www.vikinggroupinc.com)

### 1. DESCRIPTION

The high pressure solenoid valve is a two-way type with one inlet and one outlet. It is a packless, internal pilot operated valve, suitable for use in releasing water pressure from the priming chamber of Viking Model E, F, G and VXD Series Deluge Valves and Viking Model H and J Series Flow Control Valves. The solenoid valve has floating diaphragm construction, which requires a minimum pressure drop across the valve to operate properly. The valves are available with a voltage rating of 24V DC in a normally closed or normally open configuration. These solenoid valves are for use with system control units that are listed and/or approved for releasing service for water based fire protection systems.

#### Features

- Normally Closed or Normally Open
- 24 VDC
- Easy to clean
- Body Style: Straight through
- NEMA 1 through 9. (See Table 1)
- Required Accessories: A 50 mesh strainer must be installed on the inlet side of the valve at the priming line connection. This strainer is included as part of the Model E, F, G and VXD Deluge Valve Trim and Model H or J Flow Control Valve Trim.



### 2. LISTINGS AND APPROVALS (see table 1 for specific model approvals)

- UL Listed
- FM Approved
- CSA Certified
- CE Directives Applicable

**WARNING:** Cancer and Reproductive Harm - [www.P65Warnings.ca.gov](http://www.P65Warnings.ca.gov)

**AVERTISSEMENT:** Cancérogène et toxique pour la reproduction - [www.P65Warning.ca.gov](http://www.P65Warning.ca.gov)

### 3. TECHNICAL DATA

#### Specifications

- Coil:
- Class F for Part Numbers 11601, 11602 and 13215.
  - Class H for Part Numbers 13843 and 13844, Continuous Duty
- Maximum Operating Pressure:
- 250 psi (17.2 bar) for Part Numbers 11601, 11602 and 13215.
  - 300 psi (20.6 bar) for Part Numbers 13843 and 13844.
- See Table 1 for enclosure descriptions and recommended ambient temperatures.

#### Material Standards

- Body: Brass with 1/2" (15 mm) NPT connections
- Seals and Discs: Buna N
- Core Tube: 305 Stainless Steel
- Core and Plugnut: 430F Stainless Steel
- Springs: 302 Stainless Steel

**Table 1 - Part Numbers and Specifications**

Description	Model	Part Number	For Viking System	Orifice	Wattage	DC Current	Max. Ambient Temp.	Cv Factor	Listings & Approvals				
									UL	CSA	FM	LPCB	CE
<b>Normally Closed</b> NEMA 1,2,3,3S,4,4X <sup>1</sup>	24 VDC	11601	Deluge & Preaction, SureFire	3/4"	9.0 DC	338 mA	130 °F (54 °C)	4.0	Yes <sup>2</sup>	Yes <sup>6</sup>	Yes <sup>9</sup>	Yes <sup>9</sup>	Yes <sup>10</sup>
<b>Normally Closed Explosion Proof</b> NEMA 3,3S,4,4X,6,6P,7,9 <sup>1</sup>	24 VDC	11602		3/4"	9.0 DC	338 mA	130 °F (54 °C)	4.0	Yes <sup>3</sup>	Yes <sup>7</sup>	Yes <sup>9</sup>	Yes <sup>9</sup>	--
<b>Normally Open</b> NEMA 1,2,3,3S,4,4X <sup>1</sup>	24 VDC	13215	Surefire	3/4"	9.0 DC	338 mA	130 °F (54 °C)	4.0	Yes <sup>4</sup>	Yes <sup>6</sup>	Yes <sup>9</sup>	Yes <sup>9</sup>	Yes <sup>10</sup>
<b>Normally Closed</b> NEMA 1,2,3,3S,4,4X <sup>1</sup>	24 VDC	13843	Deluge & Preaction	5/8"	1.5 DC	140 mA	140 °F (60 °C)	4.0	Yes <sup>5</sup>	Yes <sup>8</sup>	Yes <sup>9</sup>	--	Yes <sup>10</sup>
<b>Normally Closed Explosion Proof</b> NEMA 3,3S,4,4X <sup>1</sup>	24 VDC	13844		5/8"	1.5 DC	140 mA	140 °F (60 °C)	4.0	Yes <sup>5</sup>	Yes <sup>8</sup>	Yes <sup>9</sup>	--	--

#### Footnotes

1. Enclosure types: 1 - General Purpose, 2 - Drip-Proof, 3 and 3s - Rain Tight, 4 and 4X - Water Tight, 6 and 6P - Submersible, 7 - Explosion Proof Class I Groups A, B, C and D, 9 - Dust Ignition Proof Class II Groups E, F & G.
2. UL Listed - VLTR file MP618 Ordinary, under ASCO, L.P. HV274060007
3. UL Listed - YTSX file E25549 Hazardous, under ASCO, L.P. HV274060008
4. UL Listed - YIOZ file MP618 Ordinary, under ASCO, L.P. HV283852001
5. UL Listed - VLTR EX1130
6. cCSAus Certified - file 10381, Ordinary, under ASCO, L.P. HV274060007 and HV283852001
7. cCSAus Certified - file 13976, Hazardous, under ASCO, L.P. HV274060008
8. cCSAus Certified
9. FM and LPCB Approved - as part of Viking Deluge Valves
10. CE Directives Applicable (EMC 2014/30/EU)



## TECHNICAL DATA

## SOLENOID VALVES RATED TO 250 PSI (17.2 BAR)

The Viking Corporation, 210 N Industrial Park Drive, Hastings MI 49058

Telephone: 269-945-9501 Technical Services: 877-384-5464 Fax: 269-818-1680 Email: techsvcs@vikingcorp.com

Visit the Viking website for the latest edition of this technical data page [www.vikinggroupinc.com](http://www.vikinggroupinc.com)

### 4. INSTALLATION

1. Check nameplate for correct unit, including voltage and mode of operation. Follow all installation and maintenance instructions enclosed with the valve.
2. Standard solenoids may be mounted in any position. However, for optimum life and performance, solenoids should be mounted vertically and upright with the coil upright.
3. A 50 mesh strainer is required on the inlet side of the valve at the priming line connection. This strainer is included as part of the Model E, F, G and VXD Deluge Valve Trim and Model H or J Flow Control Valve Trim. Install the strainer as indicated on Viking's trim drawing. Install the solenoid according to markings on the valve body. Apply pipe-joint compound sparingly to male pipe threads only. If applied to valve threads, it may enter the valve and cause operation difficulty or leakage. Avoid putting pipe compound on first two male threads as well.
4. The unit must be wired in accordance with local and national electrical codes. For valves equipped with water tight enclosures, the electrical fittings must be approved for use in the hazardous location.
5. Upon completing the installation, the entire system must be tested for proper operation. See system description and testing instructions for additional information.

### 5. OPERATION

The solenoid valve is an internal pilot operated valve with pilot and bleed orifices utilizing line pressure for operation. Normally closed, de-energized valves open when energized. Power is applied to the solenoid coil, causing the solenoid core to lift, opening the pilot orifice to the outlet side of the valve. This relieves pressure on the top side of the diaphragm and allows the line pressure to open the valve. When de-energized, the solenoid core reseals the pilot orifice, allowing the line pressure to build above the diaphragm, closing the valve.

Normally closed solenoid valves are commonly used as releases for Viking deluge and flow control valves. Opening the solenoid valve allows the deluge or flow control valve to open.

**NOTE: When using a normally closed solenoid valve as a release, a system will not operate automatically on total loss of power. For this reason, it is recommended and normally required that an emergency battery back-up, supervised power supply be provided to maintain fire protection during interruptions of the main power system and to meet the requirements of appropriate Authorities Having Jurisdiction.**

### 6. INSPECTIONS, TESTS AND MAINTENANCE

#### NOTICE

The owner is responsible for maintaining the fire protection system and devices in proper operating condition. For minimum maintenance and inspection requirements, refer to recognized standards such as those produced by NFPA, LPC, and VdS which describe care and maintenance of sprinkler systems. In addition, the Authority Having Jurisdiction (AHJ) may have additional maintenance, testing and inspection requirements which must be followed.

#### ⚠ WARNING

Any system maintenance or testing that involves placing a control valve or detection system out of service may eliminate the fire protection of that system. Prior to proceeding, notify all Authorities Having Jurisdiction. Consideration should be given to employment of a fire patrol in the affected area. Failure to follow these instructions could cause improper system operation, resulting in serious personal injury and/or property damage.

#### ⚠ AVERTISSEMENT

Toute maintenance du système nécessitant la mise hors service d'une vanne de régulation ou d'un système de détection altérera les capacités de protection contre l'incendie de ce système. Avant de poursuivre, les procédures de fonctionnement en mode dégradé appropriées selon la norme NFPA 25 doivent être suivies avec l'information de toutes les autorités compétentes. Il faudrait envisager de faire appel à une patrouille de pompiers dans les zones touchées.

Si ces instructions ne sont pas respectées, cela pourrait entraîner un fonctionnement incorrect du système, entraînant des blessures graves et / ou des dégâts matériels.





## TECHNICAL DATA

**SOLENOID VALVES**  
RATED TO 250 PSI (17.2 BAR)

The Viking Corporation, 210 N Industrial Park Drive, Hastings MI 49058

Telephone: 269-945-9501 Technical Services: 877-384-5464 Fax: 269-818-1680 Email: techsvcs@vikingcorp.com

Visit the Viking website for the latest edition of this technical data page [www.vikinggroupinc.com](http://www.vikinggroupinc.com)

### **⚠ WARNING**

Prior to operating the solenoid valve, be sure to close the system control valve to avoid unintentional operation of the deluge valve.

### **⚠ AVERTISSEMENT**

**AVANT D'UTILISER L'ELECTROVANNE, ASSUREZ-VOUS DE FERMER LA VANNE DE CONTRÔLE DU SYSTÈME POUR ÉVITER LE FONCTIONNEMENT NON INTENTIONNEL DE LA VANNE DELUGE.**

Inspections:

It is imperative that the system is inspected and tested on a regular basis in accordance with NFPA 25. The frequency of the inspections may vary due to contaminated water supplies, corrosive water supplies, or corrosive atmospheres. In addition, the alarm devices, detection systems, or other connected trim may require a more frequent schedule. Refer to the system description and applicable codes for minimum requirements.

1. The valve must be operated at least monthly. The valve must open and close freely. When open, the water flow must be clear and clean at the proper flow rate. When closed, a total water shut-off must be observed. After the test, the strainer must be cleaned. Prior to cleaning the strainer, the priming line valve must be closed and the priming line depressurized. After the strainer is cleaned, the priming line valve must be reopened.
2. The valve must be inspected at least monthly for cracks, corrosion, leakage, etc., and cleaned, repaired, or replaced as necessary.
3. At least annually, the valve diaphragms and seats must be inspected and, if necessary, repaired or replaced.

### **⚠ WARNING**

Close system control valve, turn off power supply, and depressurize valve before disassembling valve. It is not necessary to remove the valve from the pipe line to make inspections.

### **⚠ AVERTISSEMENT**

**FERMEZ LA VANNE DE COMMANDE DU SYSTÈME, COUPEZ L'ALIMENTATION ÉLECTRIQUE ET DÉPRESSURISEZ LA VANNE AVANT DE LA DÉMONTER. IL N'EST PAS NÉCESSAIRE D'ENLEVER LA VANNE DE LA TUYAUTERIE POUR FAIRE DES INSPECTIONS.**

4. When lubricating valve components, use a high grade silicone grease (Dow Corning® 111 Compound Lubricant or equal).
5. When reassembling, tighten parts to torque values indicated in ASCO's maintenance instructions (packed with valve).
6. After maintenance is completed, operate the valve a few times to be sure of proper operation. A metallic "click" signifies the solenoid is operating.
7. It is recommended that the valve be replaced at seven-year intervals. Shorter intervals may be required if the valve is subject to corrosive water supplies or atmospheres.
8. All service must be performed by qualified personnel. Upon completion of inspections or replacement of the valve, the entire system must be checked for proper operation. See appropriate system description and testing instructions for additional information.

## **7. AVAILABILITY**

The Viking Solenoid Valve is available through a network of domestic and international distributors. See the Viking Corp. Web site for closest distributor or contact The Viking Corporation.

## **8. GUARANTEE**

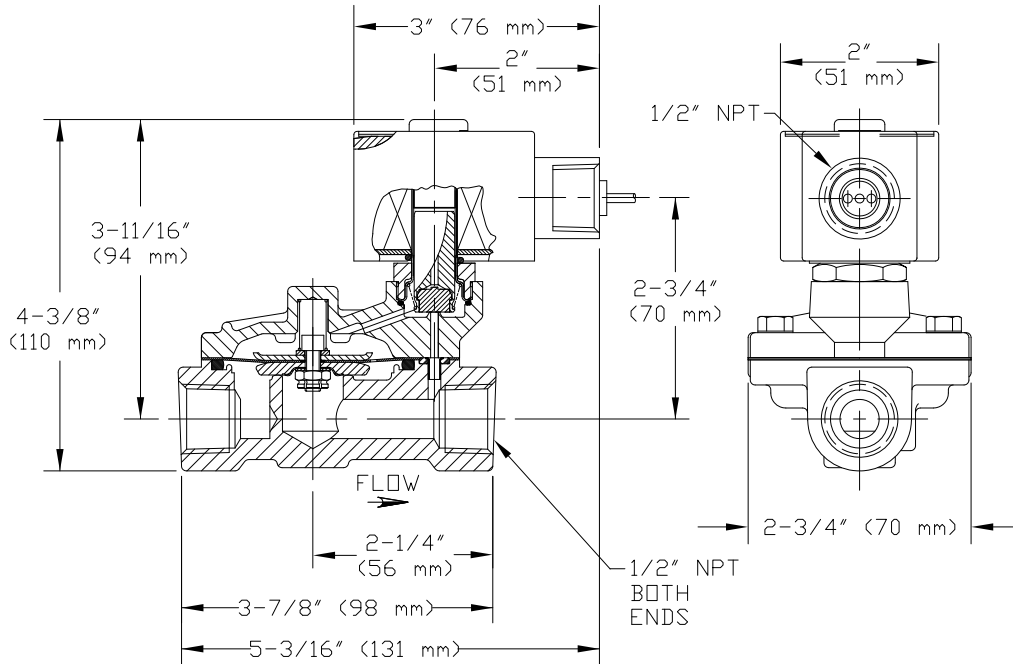
For details of warranty, refer to Viking's current list price schedule or contact Viking directly.



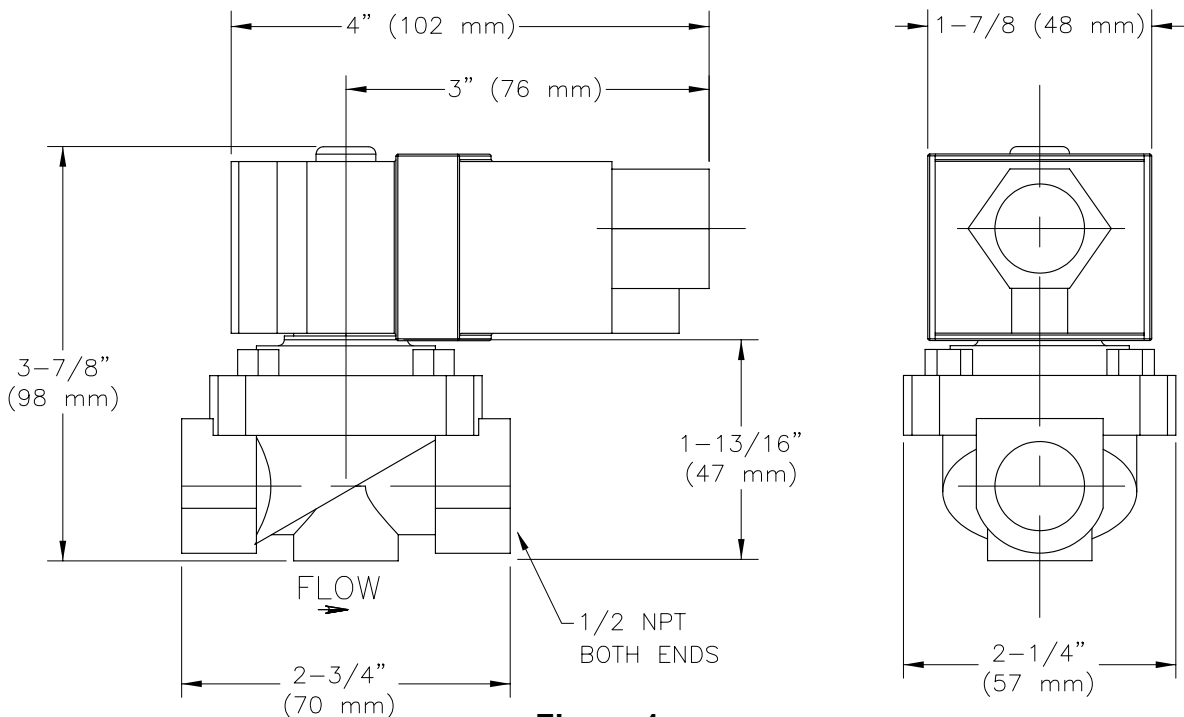
# TECHNICAL DATA

**SOLENOID VALVES**  
**RATED TO 250 PSI (17.2 BAR)**

The Viking Corporation, 210 N Industrial Park Drive, Hastings MI 49058  
 Telephone: 269-945-9501 Technical Services: 877-384-5464 Fax: 269-818-1680 Email: techsvcs@vikingcorp.com  
 Visit the Viking website for the latest edition of this technical data page [www.vikinggroupinc.com](http://www.vikinggroupinc.com)



**Figure 1**  
**Dimensions for Part Numbers 11601, 11602 and 13215**



**Figure 1**  
**Dimensions for Part Numbers 13843 and 13844**



# TECHNICAL DATA

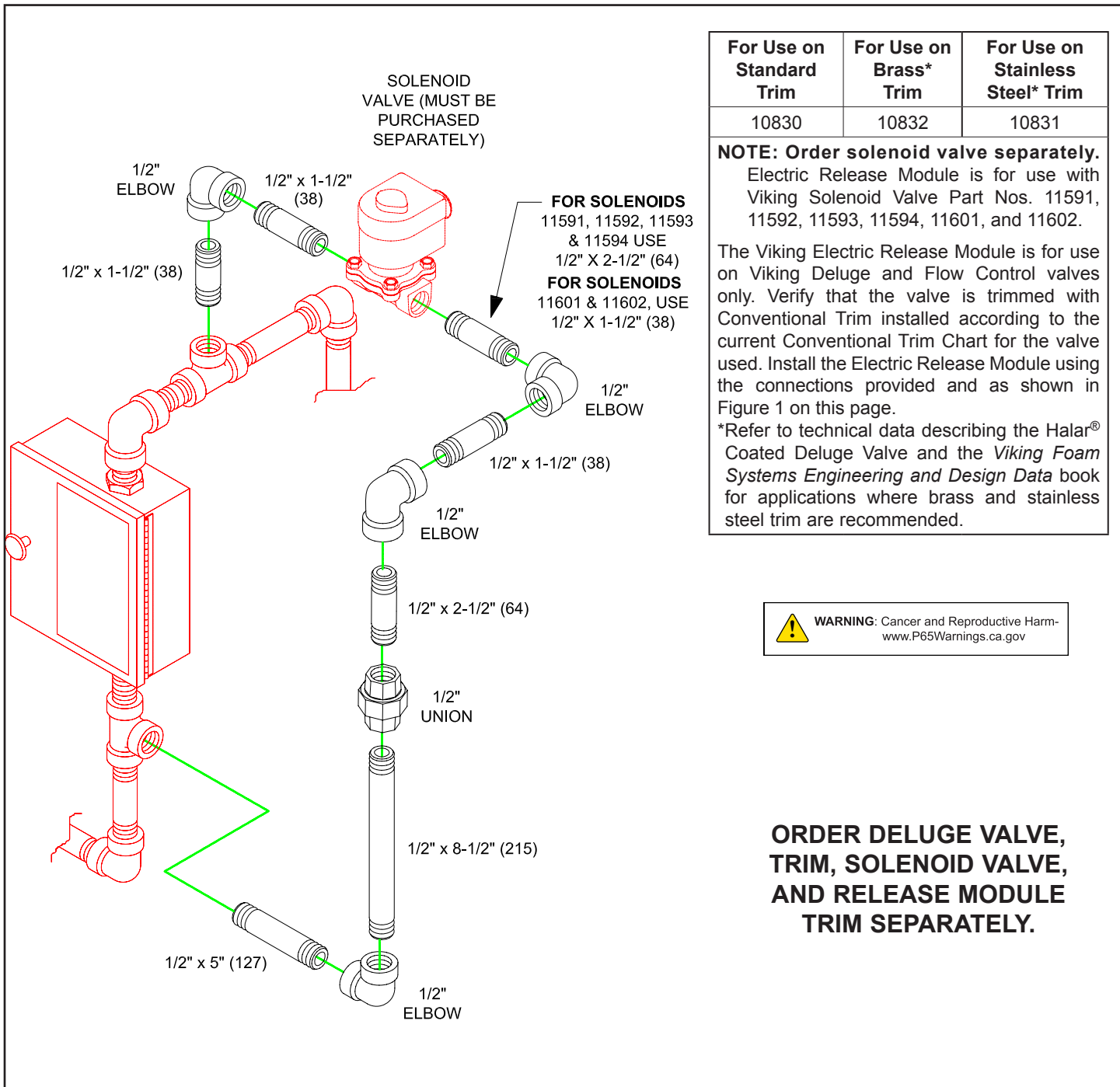
## ELECTRIC RELEASE MODULE TRIM CHART

Maximum 250 psi Water Working Pressure

The Viking Corporation, 210 N Industrial Park Drive, Hastings MI 49058

Telephone: 269-945-9501 Technical Services 877-384-5464 Fax: 269-818-1680 Email: techsvcs@vikingcorp.com

Available since 1999.



**FIGURE 1: ELECTRIC RELEASE MODULE**



## TECHNICAL DATA

## MODEL VNR WIDE RANGE PROPORTIONER

The Viking Corporation, 5150 Beltway Dr. SE, Caledonia MI, 49316

Telephone: 269-945-9501 Technical Services: 877-384-5464 Fax: 269-818-1680 Email: techsvcs@vikingcorp.com

Visit the Viking website for the latest edition of this technical data page [www.vikinggroupinc.com](http://www.vikinggroupinc.com)

### 1. DESCRIPTION

The wide range proportioner accurately proportions foam concentrate into a water stream over a wide range of system flow rates. The device is configured to proportion foam concentrate at a 3% ratio. Wide range proportioners are an integral part of an approved foam system. In addition to the wide range proportioner, the main components of the approved foam system are: foam concentrate, a foam storage tank, a concentrate control valve, and foam discharge devices.

The system must be designed so that the wide range proportioner can accurately proportion foam over the range of flow rates expected during the system operation.

The wide range proportioner has the capability to accurately proportion foam concentrate into the water supply at low flow rates as required when only a small quantity of sprinklers have activated.

Please refer to specific system manual(s) for further information.

For further information, please contact the appropriate sales office in **Section 5**, or refer to the technical documentation.

The contents of this publication are subject to modifications without notice.

### 2. LISTINGS AND APPROVALS

**FM Approved** – Low Expansion Foam Systems (FM5130)



The wide range proportioner is FM Approved as part of a fire extinguishing system combining designated foam concentrates, bladder tanks and discharge devices. Approved system components can be found at [www.approvalguide.com](http://www.approvalguide.com)

Other International approval certificates may be available upon request.

"SFFF compatible" refers to this product as being part of a SFFF Foam system that has been tested to recognized standards. Not all configurations are available. Please consult technical data and/or the Approval/Listing for usage requirements.

### 3. TECHNICAL DATA

#### 3.1 Construction features

- Available in 6" (DN150) and 8" (DN200) sizes
- Wafer connection for installation between ANSI and PN16 flanges
- Brass construction
- Horizontal or vertical installation
- Direction of flow indicator on body
- For use with fresh or salt water
- Identification tag plate

#### 3.2 Standard Design Specifications

**Table 3.2.1 - Standard design specifications**

Design pressure	250 psi / 17.2 bar (1.7 MPa)
Test pressure	500 psi / 34.4 bar (3.4 Mpa)
Design temperature range	14 °F to 120 °F (-10 °C to 49 °C)
Operating temperature range	35 °F to 120 °F (1.7 °C to 49 °C) (as per FM 5130)
Minimum operating inlet pressure	30 psi / 2.1 bar (0.2 MPa)
Maximum operating inlet pressure	175 psi / 12.1 bar (1.2 MPa)
Proportioning range	See <b>Table 3.5.1</b>



**WARNING:** Cancer and Reproductive Harm-  
[www.P65Warnings.ca.gov](http://www.P65Warnings.ca.gov)





## TECHNICAL DATA

## MODEL VNR WIDE RANGE PROPORTIONER

The Viking Corporation, 5150 Beltway Dr. SE, Caledonia MI, 49316  
 Telephone: 269-945-9501 Technical Services: 877-384-5464 Fax: 269-818-1680 Email: techsvcs@vikingcorp.com  
 Visit the Viking website for the latest edition of this technical data page www.vikinggroupinc.com

### 3.3 Components and Dimensions

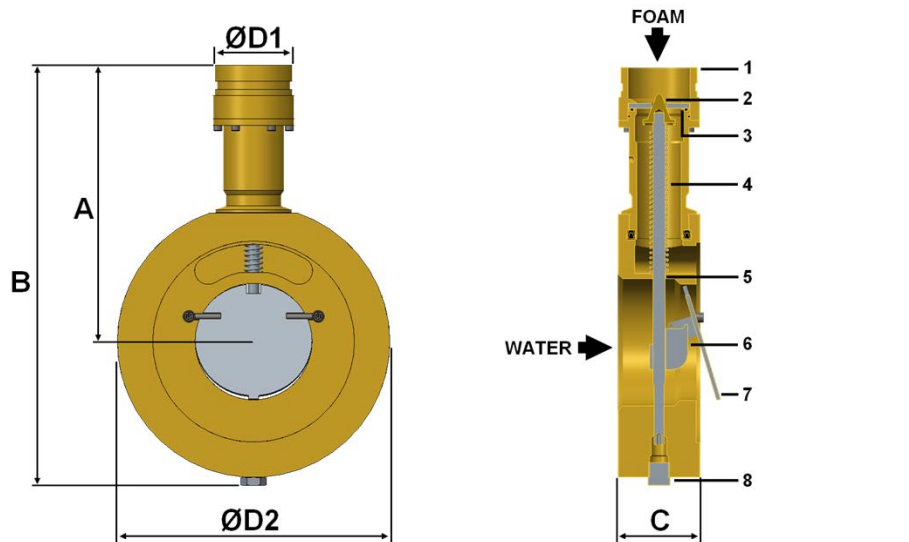


Figure 3.2.1: Components and Dimensions

Table 3.3.1 - Components

Item	Description	Item	Description	Item	Description
1	Grooved foam inlet	4	Spring	7	Clapper
2	Orifice restrictor	5	Rod	8	Plug
3	Orifice plate	6	Threaded collar	-	-

Table 3.3.2 – Weights and Dimensions

Nominal size (D2)	Approximate weight		Approximate dimensions							
			A		B		C		Foam inlet (D1)	
	lbs	kg	Inch	mm	Inch	mm	Inch	mm	Inch	mm
6" (150 mm) Wafer	47	21	9-1/4	236	13	353	2-3/4	70	2.5	76.1
6" (150 mm) Wafer	47	21	9-1/4	236	13	353	2-3/4	70	2.5	73.0
8" (200 mm) Wafer	71	32	10-7/8	277	16-1/2	419	3-1/4	82	2.5	76.1
8" (200 mm) Wafer	71	32	10-7/8	277	16-1/2	419	3-1/4	82	2.5	73.0

### 3.4 Standard Materials

Table 3.4.1 - Standard materials

Body, neck, grooved inlet	Brass EN CB491K
Rod, clapper, threaded collar	Stainless steel
Orifice plate	UNS C95800
Spring	Stainless steel AISI-302 (DIN 17224)



## TECHNICAL DATA

## MODEL VNR WIDE RANGE PROPORTIONER

The Viking Corporation, 5150 Beltway Dr. SE, Caledonia MI, 49316

Telephone: 269-945-9501 Technical Services: 877-384-5464 Fax: 269-818-1680 Email: techsvcs@vikingcorp.com

Visit the Viking website for the latest edition of this technical data page [www.vikinggroupinc.com](http://www.vikinggroupinc.com)

### 3.5 Ordering information

1. This wide range proportioner is for use with listed and approved foam concentrates at 3% proportioning rates.
2. The minimum and maximum flow demand of the fire protection system must be known to ensure correct selection of the wide range proportioner. The required minimum flow rate should be higher than the minimum flow rate shown in **Table 3.5.1**. The required higher flow rate should be lower than the maximum flow rate shown in **Table 3.5.1**. If more than one size is suitable, size selection can then be based on the size of the riser or supply pipework into which the wide range proportioner will be installed.
3. After selecting the size, check the appropriate graph in **Section 6.2** to ensure the required flows are possible at the available system pressure. If not, it may be necessary to increase to the next pipe size.

**Table 3.5.1 - Ordering information**

Connection		Foam type	Part number	Foam inlet orifice size <sup>3</sup>		FM approved			
Body wafer <sup>2</sup>	Foam inlet grooved			Minimum flow rate <sup>1</sup>		Maximum flow rate <sup>1</sup>			
				Inch	mm	GPM	l/min	GPM	l/min
6" (150mm)	2.5" (76.1mm)	Viking ARK, 3%	VNR066P	0.717	18.2	50	189	1895	7,173
		Viking USP, 3%	VNR066L	0.709	18.0	50	189	1420	5375
6" (150mm)	2.5" (73.0mm)	Viking ARK, 3%	VNR063P	0.717	18.2	50	189	1895	7,173
		Viking USP, 3%	VNR063L	0.709	18.0	50	189	1420	5375
8" (200mm)	2.5" (76.1mm)	Viking ARK, 3%	VNR086P	0.945	24.0	50	189	3003	11,368
		Viking USP, 3%	VNR086L	0.929	23.6	50	189	3010	11,394
8" (200mm)	2.5" (73.0mm)	Viking ARK, 3%	VNR083P	0.945	24.0	50	189	3003	11,368
		Viking USP, 3%	VNR083L	0.929	23.6	50	189	3010	11,394

NOTES:  
<sup>1</sup> Please refer to graphs in **Section 6.2** for specific flow rate parameters.  
<sup>2</sup> Can be installed between ANSI or PN16 flanges  
<sup>3</sup> Foam inlet orifice is variable up to the point when the hinged clapper is fully open

### 4. SCOPE OF DELIVERY

- a) Ensure that all components are complete and in good condition.
- b) Check that the tamper proof seal on bottom plug is not damaged or removed. In case of either scenario, report immediately to supplier.
- c) The wide range proportioner is supplied boxed, with a fixed data plate and an integral sized orifice disc specific to its approved/ listed foam concentrate.
- d) Grooved couplings and flange kits are not included.

### 5. AVAILABILITY

Please contact your local Viking sales office for further information. The product is available directly from Viking and official distributors only.

#### Americas:

The Viking Corporation

5150 Beltway SE

Caledonia, MI 49316

Tel.: (800) 968-9501

Fax: 269-818-1680

Technical Services: 1-877-384-5464

[techsvcs@vikingcorp.com](mailto:techsvcs@vikingcorp.com)



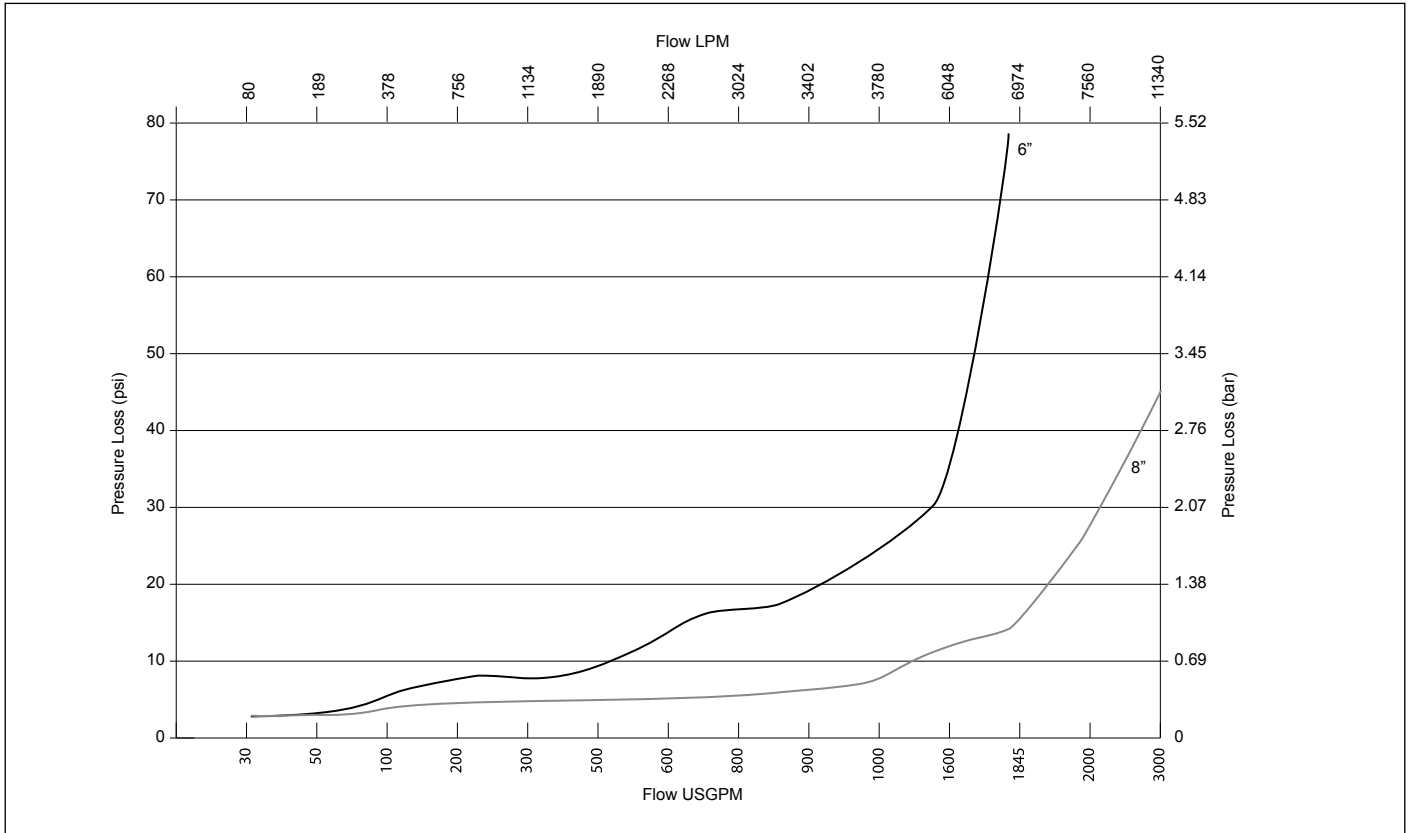
**TECHNICAL DATA**

**MODEL VNR WIDE RANGE PROPORTIONER**

The Viking Corporation, 5150 Beltway Dr. SE, Caledonia MI, 49316  
 Telephone: 269-945-9501 Technical Services: 877-384-5464 Fax: 269-818-1680 Email: techsvcs@vikingcorp.com  
 Visit the Viking website for the latest edition of this technical data page www.vikinggroupinc.com

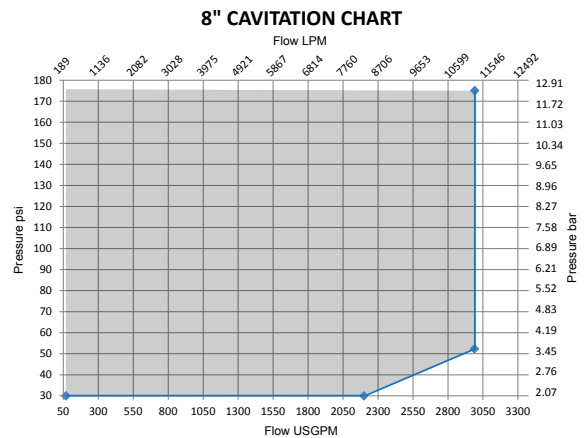
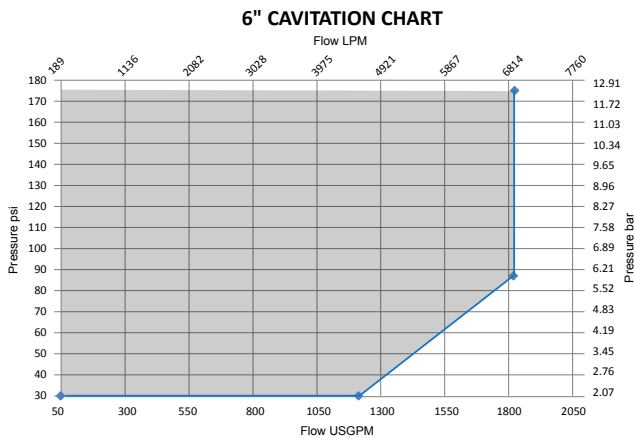
**6. PERFORMANCE DATA**

**6.1 Friction loss vs foam solution flow**



**6.2 Inlet pressure vs foam solution flow**

Wide range proportioner must be used within the shaded flow and pressure conditions.





## TECHNICAL DATA

## MODEL VNR WIDE RANGE PROPORTIONER

The Viking Corporation, 5150 Beltway Dr. SE, Caledonia MI, 49316

Telephone: 269-945-9501 Technical Services: 877-384-5464 Fax: 269-818-1680 Email: techsvcs@vikingcorp.com

Visit the Viking website for the latest edition of this technical data page [www.vikinggroupinc.com](http://www.vikinggroupinc.com)

### 7. INSTALLATION

#### **⚠ WARNING**

**Adjustment of the equipment poses the risk of fatal consequences.**

**The wide range proportioner must not be adjusted. A security tag is placed on the plug (#8) to prevent unauthorized adjustment.**

Refer to appropriate Installation Standards (i.e. NFPA, VdS, LPCB, etc.) and / or applicable FM Global Property Loss Prevention Data Sheets such as 4-12, Foam-Water Sprinkler Systems. In addition, the Authority Having Jurisdiction (AHJ) may have additional installation requirements that must be followed.

Do not alter the piping without consulting a system design representative.

Before installing a wide range proportioner, check the system design drawing to ensure the device location does not create excessive head pressure or frictional losses.

#### **⚠ WARNING**

*The wide range proportioner must not be installed in dry pipework. If used in preaction, dry or deluge type systems, the wide range proportioner must be installed in the wet pipework upstream of the system control valve.*

- a) Check that the tamper proof seal on bottom plug is not damaged or removed. In case of either scenario, report immediately to supplier.
- b) The wide range proportioner must be installed with the arrow pointing in the direction of the water flow.
- c) The wide range proportioner can be installed in the vertical or horizontal position.
- d) If installed in the system riser, consideration should be given to drainage as the clapper (7) acts as a partial check valve which will result in slow drainage. Use of or installation of a drain valve downstream of the wide range proportioner is advisable for faster drainage.
- e) Straight piping equal to a minimum of five (5) pipe diameters should be installed upstream and five (5) downstream of the wide range proportioner to help ensure proportioning accuracy.
- f) A check valve must be placed on the foam concentrate line and a concentrate control valve is highly recommended.
- g) A removable section of pipe should be installed between the check valve and wide range proportioner foam inlet to allow the flushing of foam concentrate after system activation.
- h) The ideal location for the wide range proportioner is level with or below the top tank discharge point and within 3 ft. (1m) of the tank.
- i) The combined total equivalent length of pipe (pipe length, plus equivalent lengths for fittings and valves), including both the water supply inlet piping and the foam concentrate discharge piping, should not exceed 65 equivalent feet (19.8 m). This will allow both pipes to be the same size as the foam liquid inlet to the wide range proportioner.
- j) The pressure drop within the piping to the bladder tank water or foam concentrate piping can be minimized by:
  1. Limiting the number of tees and elbows used
  2. Using full port valves
  3. Increasing the pipe diameter
- k) Care should be taken to ensure that the bladder tank and foam concentrate line are vented of trapped air to assist proportioning performance.





## TECHNICAL DATA

## MODEL VNR WIDE RANGE PROPORTIONER

The Viking Corporation, 5150 Beltway Dr. SE, Caledonia MI, 49316

Telephone: 269-945-9501 Technical Services: 877-384-5464 Fax: 269-818-1680 Email: techsvcs@vikingcorp.com

Visit the Viking website for the latest edition of this technical data page [www.vikinggroupinc.com](http://www.vikinggroupinc.com)

### 8. OPERATION

The wide range proportioner is a modified venturi device for use in bladder tank balanced pressure type proportioning systems. As water flows through the device, it creates an area of lower pressure, referred to as the metering pressure drop. As the water flow increases through the venturi, the metering pressure drop increases, allowing more foam concentrate to enter through the sized foam orifice. The foam orifice size is specific to the foam concentrate used. A decrease in the water flow reduces the metering pressure drop, thereby reducing the foam concentrate flow.

Because the foam concentrate flow changes in direct proportion to the water flow, the wide range proportioner can accurately proportion foam concentrate over a wide range of system flow rates.

The flow rate at which the metering pressure drop is just high enough to overcome the pressure losses through the bladder tank and its piping, is called the low flow rating. The water flow rate through the wide range proportioner must be at or above its low flow rating in order to properly proportion foam concentrate.

The wide proportioner is designed to accurately proportion foam at low flow rates when a small number of sprinklers are operating.

The proportioning is accomplished by means of a variable geometry concept where the foam concentrate inlet size varies as a function of the sprinkler system's water flow rate. When water passes through the main waterway as described above, the hinged clapper (7) changes the geometry of the orifice restriction (2) thereby increasing the cross sectional area of the foam inlet. The clapper (7) and the orifice restriction (2) progressively open further as the system flow rate increases. At larger water flow rates, the water clapper (7) and the orifice restriction (2) are fully open. (Refer to **Table 3.3.1**).

### 9. GUARANTEE

For details of warranty, refer to Viking's current list price schedule or contact Viking directly.

### 10. INSPECTION, TESTS AND MAINTENANCE

Refer to respective requirements, according to the relevant standards for Inspection, Testing and Maintenance. If applicable, refer to FM Global Property Loss Prevention Datasheet 4-12 for specific test and commissioning criteria. In addition, the "Authority Having Jurisdiction" (AHJ) may have additional maintenance, testing and inspection requirements that must be followed.

#### NOTICE

The owner is responsible for maintaining the fire protection system and devices in proper operating condition.

#### WARNING

*Any system maintenance or testing that involves placing a control valve or detection system out of service may eliminate the fire protection capabilities of that system. Prior to proceeding, notify all Authorities Having Jurisdiction. Consideration should be given to employment of a fire patrol in the affected area.*

### 11. DISPOSAL

At end of use the product described here should be disposed of via the national recycling system.

### 12. ACCESSORIES AND SPARE PARTS

This device is not field repairable and there are no spare parts.

### 13. DECLARATION OF CONFORMITY

If required, contact the appropriate Viking sales office in **Section 5 Availability** for further assistance.



## TECHNICAL DATA

### VERTICAL AND HORIZONTAL BLADDER TANKS MODEL VFT ASME Sec.VIII Div.1 - U-1A

The Viking Corporation, 210 N Industrial Park Drive, Hastings MI 49058

Telephone: 269-945-9501 Technical Services: 877-384-5464 Fax: 269-818-1680 Email: techsvcs@vikingcorp.com

Visit the Viking website for the latest edition of this technical data page.

### 1. GENERAL DESCRIPTION

The bladder tank is a carbon steel pressure vessel containing an elastomeric bladder between the water and foam concentrate. The bladder permits water pressure to be transferred to the foam concentrate without the two fluids mixing together.

This Technical Data Page is intended for trained experts. It contains basic information needed to use the product described. Legally binding is the product operation and maintenance manual which must be observed.

For further information, please contact the appropriate sales office in Section 5 Availability or refer to the technical documentation.

The contents of this publication are subject to modifications without notice.



Photographs are for illustration purposes only. Refer to drawings for actual design details.

### 2. LISTINGS AND APPROVALS

The bladder tank is FM Approved and/or UL Listed as part of a fire extinguishing system combining designated foam concentrates, specific proportioning equipment, and discharge devices. Approved and Listed system components can be found at [www.approvalguide.com](http://www.approvalguide.com) and <https://iq.ulprospector.com>



FM Approved – Low Expansion Foam Systems (FM5130)



UL Listed – Guide GFGV.EX27255 & GHXV.EX5002 (UL162)

Constructed according to ASME Boiler and Pressure Vessel Code (BPVC) Sec.VIII Div.1 with U-1A (“U” Stamp certification process.



CE marked according to the PED Directive 2014/68/EU (Europe Only)

NOTE: Other international approval certificates may be available upon request.

“SFFF compatible” refers to this product as being part of a SFFF Foam system that has been tested to recognized standards. Not all configurations are available. Please consult technical data and/or the Approval/Listing for usage requirements.



WARNING: Cancer and Reproductive Harm-  
[www.P65Warnings.ca.gov](http://www.P65Warnings.ca.gov)



## TECHNICAL DATA

**VERTICAL AND HORIZONTAL  
BLADDER TANKS MODEL VFT  
ASME Sec.VIII Div.1 - U-1A**

The Viking Corporation, 210 N Industrial Park Drive, Hastings MI 49058  
Telephone: 269-945-9501 Technical Services: 877-384-5464 Fax: 269-818-1680 Email: techsvcs@vikingcorp.com  
Visit the Viking website for the latest edition of this technical data page.

### 3. TECHNICAL DATA

#### 3.1 Construction Features

- Vertical tanks on legs or horizontal tanks on saddles
- Legs and saddles are provided with mounting brackets/holes.
- Approved system design pressure of 175 PSI (12.1 bar) or 232 PSI (16.0 bar)
- 100% pressure tested according to the applied design code
- Shell and heads in ASME SA-516 Gr.70
- Lockable corrosion resistant brass tank trim/service ball valves (UL Listed / FM Approved)
- Inspection flange available on left or right side of horizontal tanks (left as standard)
- Machine welded circumferential and longitudinal seams for maximum quality and durability
- Welded lifting lugs to facilitate safe handling operations
- Earth lug for electrical safety
- Safety thermal valve for water side of bladder to prevent slow overpressure and relieve thermal fluctuations
- Bladder equipped with cast rubber caps to ensure water & foam integrity under constant pressure
- Bladder specifically tested for compatibility with foams shown in FM Approval and UL Listing
- Oversized to permit concentrate thermal expansion (volume expansion allowance)
- Tank equipped with inside protection at any opening to ensure no damage to the bladder
- Internal PVC foam concentrate distribution pipe ensures optimal foam concentrate usage
- Internal water distribution channel to equalize the water pressure everywhere avoiding damage to the bladder and to drain the tank during service and maintenance
- Nameplate holder to avoid undetected corrosion on the tank's shell behind the plate
- Sight Tube level indicator
- External epoxy zinc rich primer with aliphatic polyurethane finish tested by FM and UL for corrosive atmosphere (salt fog)

#### 3.2 Standard Materials

Table 3.2.1 - Standard Materials	
Tank shell and heads:	ASME SA-516 Gr. 70
Bladder:	Reinforced NBR and EPDM
Trim valves:	Brass
Safety thermal relief valve:	Brass
Level indicator:	Sight Tube: PVC
Paint:	Epoxy zinc rich primer with aliphatic polyurethane finish
Standard colour:	Flame Red RAL3000
Connection:	Grooved (2.5" available with 73.0 or 76.1 mm - specify upon ordering)

#### 3.3 Standard Design Specifications

Table 3.3.1 - Standard Design Specifications	
Design pressure:	175 PSI / 12.1 bar (1.2MPa) or 232 PSI /16.0 bar (1.6MPa)
Operating temperature range*:	35°F to 120°F (1.7°C to 49°C)
Capacity:	See tables
Empty weight:	See tables
Proportioning range:	See Ratio Controller data sheet
(*) Refer to the appropriate proportioner for foam concentrate being used.	



# TECHNICAL DATA

**VERTICAL AND HORIZONTAL  
BLADDER TANKS MODEL VFT  
ASME Sec.VIII Div.1 - U-1A**

The Viking Corporation, 210 N Industrial Park Drive, Hastings MI 49058

Telephone: 269-945-9501 Technical Services: 877-384-5464 Fax: 269-818-1680 Email: techsvcs@vikingcorp.com

Visit the Viking website for the latest edition of this technical data page.

## 3.4 Ordering Information

The following information is provided to ensure that the correct design requirements are provided during the order and manufacturing process. Mandatory information is required in every case. Optional information is required in case of special project or specification requirements.

Table 3.4.1: Ordering Information			
	Ref	Criteria	Option
Mandatory Information (required for quote/order processing)	1a	Configuration	a) Vertical b) Horizontal
	1b	Capacity	a) 25 to 4000 US Gallons Vertical b) 50 to 5250 US Gallons Horizontal (see tables for available sizes)
	1c	Design Code	ASME Bolier and Pressure Vessel (BPVC) Code with U-1A Manufacturer Data Report
	1d	Standby Pressure Rating	a) 175 PSI / 12.1 bar (1.2 MPa) b) 232 PSI /16.0 bar (1.6 MPa)
	1e	Inspection Flange	a) Left (Standard) b) Right (required for Horizontal Tanks only)
	1g	Language	Select Bladder Tank Manual Language (see Table 12.1.2)
	Optional	2a	Design Temperature
2b		Corrosion Allowance	Contact technical department
2c		Radiographic Test Report (*)	Contact technical department
2d		Liquid Penetrant Test Report (*)	Contact technical department
Pre-Assembled with Ratio Controller	3a	Ratio Controller Size(s)	2", 2.5", 3", 4", 6", 8"
	3b	Direction of Flow	a) Left to right b) Right to left (direction of flow as you face the tank)
	3c	Water Line Piping	Carbon Steel
	3d	Foam Line Piping	a) Brass b) Stainless Steel
	3e**	Foam Concentrate Type(**)	a) 3% xMAX b) Viking ARK 3% c) Viking USP 3%
	3f	Concentrate Control Valve	Viking Halar CCV (FM UL) or Hydraulic Ball Valve
(*) With additional cost			
(**) These foam concentrates have been tested for bladder compatibility as per UL162 and/or FM5130. The long term compatibility of other foams concentrates cannot be verified.			

### INFORMATION

Some of the available options may be not covered by the UL Listing or FM Approval. Please always make reference to the appropriate approval directory or guides or contact the appropriate sales office in Section 5 Availability for further assistance.



## TECHNICAL DATA

**VERTICAL AND HORIZONTAL  
BLADDER TANKS MODEL VFT  
ASME Sec.VIII Div.1 - U-1A**

The Viking Corporation, 210 N Industrial Park Drive, Hastings MI 49058

Telephone: 269-945-9501 Technical Services: 877-384-5464 Fax: 269-818-1680 Email: techsvcs@vikingcorp.com

Visit the Viking website for the latest edition of this technical data page.

### 4. SCOPE OF DELIVERY

Ensure that all components are complete and in good condition.

The bladder tank is supplied in or on a suitable wooden pallet skid or shipping crate in the horizontal position.

All bladder tanks have lifting lugs to allow safe maneuverability on site.

Tank is supplied empty with pre-installed bladder.

Small trim valves and contents level device are supplied pre-assembled to the tank as standard.

Safety thermal relief valve supplied as standard, unmounted from tank. UV marked Safety Valve according to ASME BPVC Sec. VIII Div.1 available for an additional cost.

Anchor fixing bolts are not part of our supply scope.

**Table 4.1.1 - Documentation**

Standard Documentation	Optional Documentation *
Warranty Certificate	Dimensional Drawings
PED Declaration or Conformity	Material Certificates according to ASME Code Specifications
Safety Thermal Relief Valve Declaration of Conformity	Certificate of Conformity Type 2.1 to EN10204
Hydrostatic Pressure Test Certificate	Design Structural Calculations
Bladder Pneumatic Test Certificate	Spot or Full Radiographic Examination with Report (when not mandatorily required by design parameters)
Painting Inspection Certificate	Spare Parts List
Final Inspection Certificate	Copy of Procedure Qualification Record (PQR) and Welding Procedure Specification (WPS) according to tank construction code
Operating, Filling and Maintenance Manual (English)	Operating, Filling and Maintenance Manual (Language)
Manufacturer Data Report Form U-1A	

(\*) Contact the sales office listed in section 5 for further information and price.

### 5. AVAILABILITY

The Viking Corporation, 210 N. Industrial Park Drive, Hastings, Michigan 49058, Toll free phone: (800) 968-9501

### 6. PRODUCT VARIANTS

#### 6.1 Options

- Flanged connections (ANSI or PN16)
- Special coatings for salt-water applications or harsh environmental conditions
- Nameplate in corrosion resistant material
- Increased wall thickness for corrosion allowance
- Internal coatings such as epoxy tar
- 232 PSI /16.0 bar (1.6 MPa) design pressure rating with UL Listing and FM Approval
- Other design pressure and seismic ratings
- Ladders | Work Platform | Sunshield
- Full bladder tank stainless steel construction
- Heat tracing and/or insulation
- Bladder tank pre-installed on base frame or containerized to customer requirements
- Various colors and painting cycles with UL Listing and FM Approval (120-300 microns)
- Nondestructive examinations
- Factory acceptance test, notified body or third party inspections
- Special sea freight and fumigated packaging
- UV certified Safety Valve according to ASME BPVC Code Sec.VIII Div.1

Please contact us for further details, pricing and availability

#### INFORMATION

Some of the available options may be not covered by the UL Listing or FM Approval. Please always make reference to the appropriate approval directory or guides or contact us for further assistance.

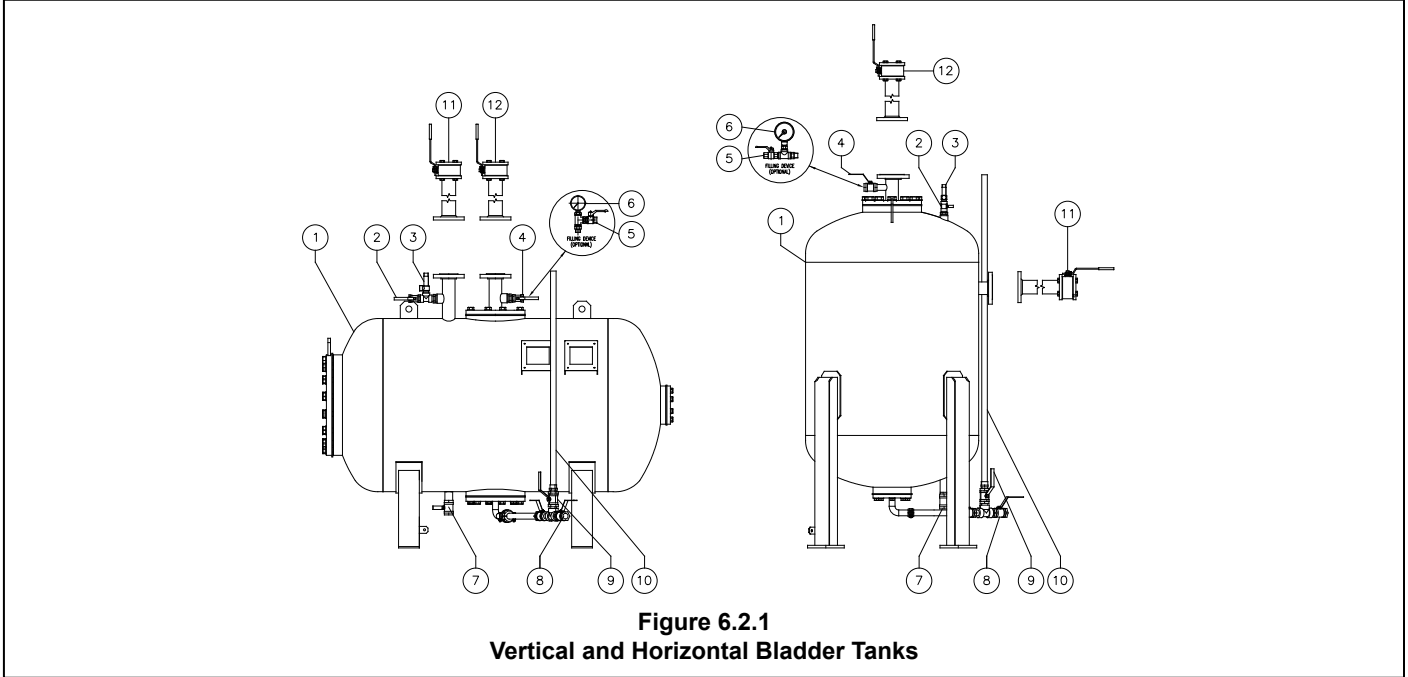


# TECHNICAL DATA

## VERTICAL AND HORIZONTAL BLADDER TANKS MODEL VFT ASME Sec.VIII Div.1 - U-1A

The Viking Corporation, 210 N Industrial Park Drive, Hastings MI 49058  
 Telephone: 269-945-9501 Technical Services: 877-384-5464 Fax: 269-818-1680 Email: techsvcs@vikingcorp.com  
 Visit the Viking website for the latest edition of this technical data page.

### 6.2 General bladder tank layout and P&ID

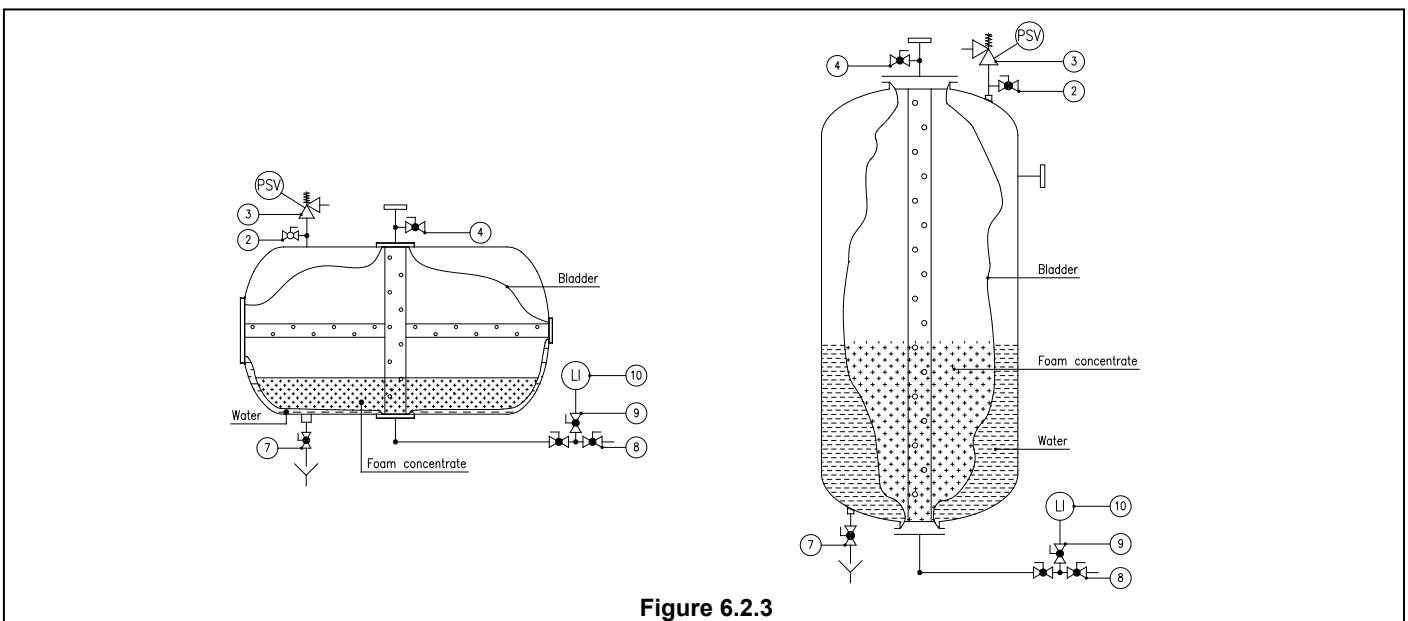


**Figure 6.2.1**  
**Vertical and Horizontal Bladder Tanks**

**Table 6.2.2 - General Bladder Tank Layout and P&ID**

Item	Description	Item	Description
1	Bladder Tank	7	Water Filling/Drain Valve (NPT)
2	Water Vent Valve (NPT)	8	Foam Concentrate Filling/Drain Valve (NPT)
3	Safety Thermal Relief Valve	9	Concentrate Level Indicator Drain Valve
4	Foam Concentrate Vent Valve (NPT)	10	Concentrate Level Indicator
5	Filling Vent Valve (Optional)	11	Water Shut Off Valve (to be ordered separately)
6	Filling Pressure Gauge 1-10 kpa (Optional)	12	Foam Concentrate Shut Off Valve (to be ordered separately)

Note: Item 10 shown with Sight Tube. Level Gauge also available and connected at position 10.



**Figure 6.2.3**

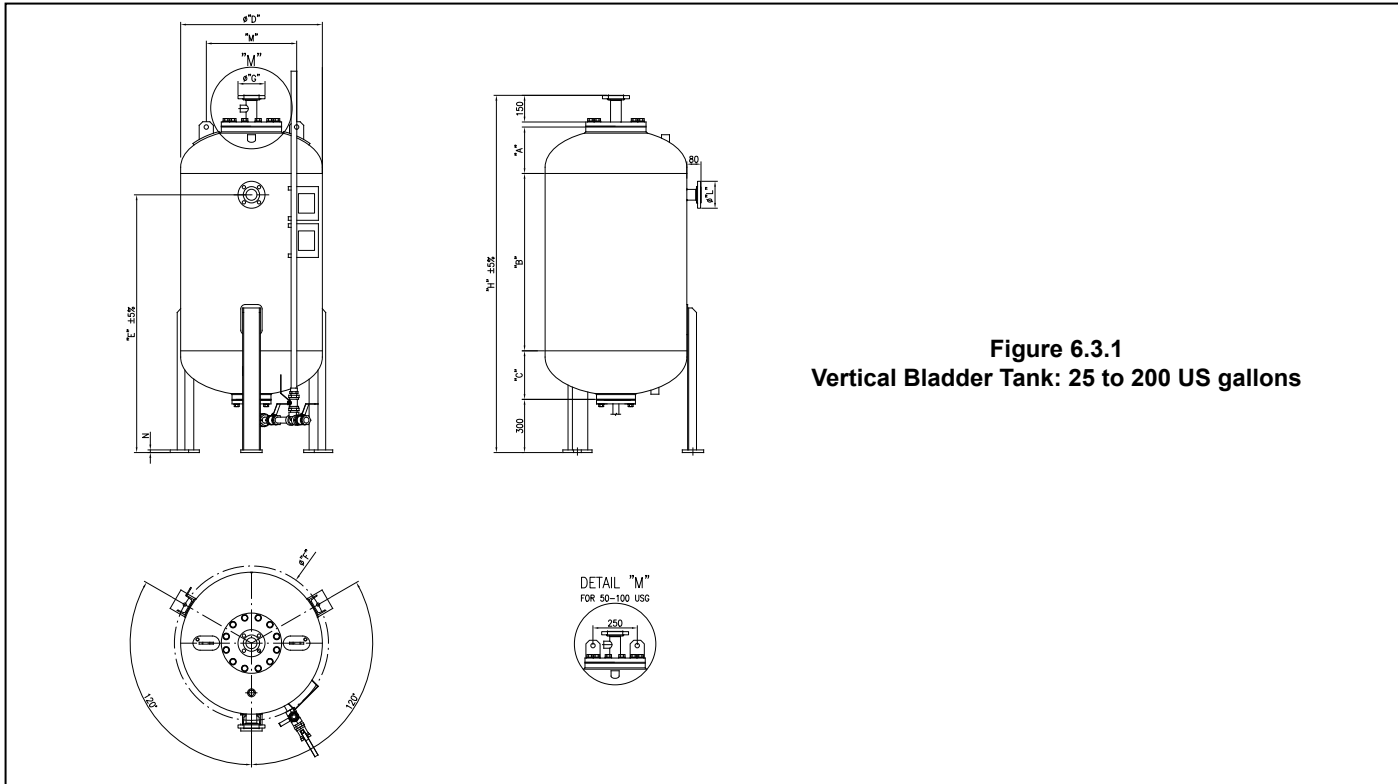


# TECHNICAL DATA

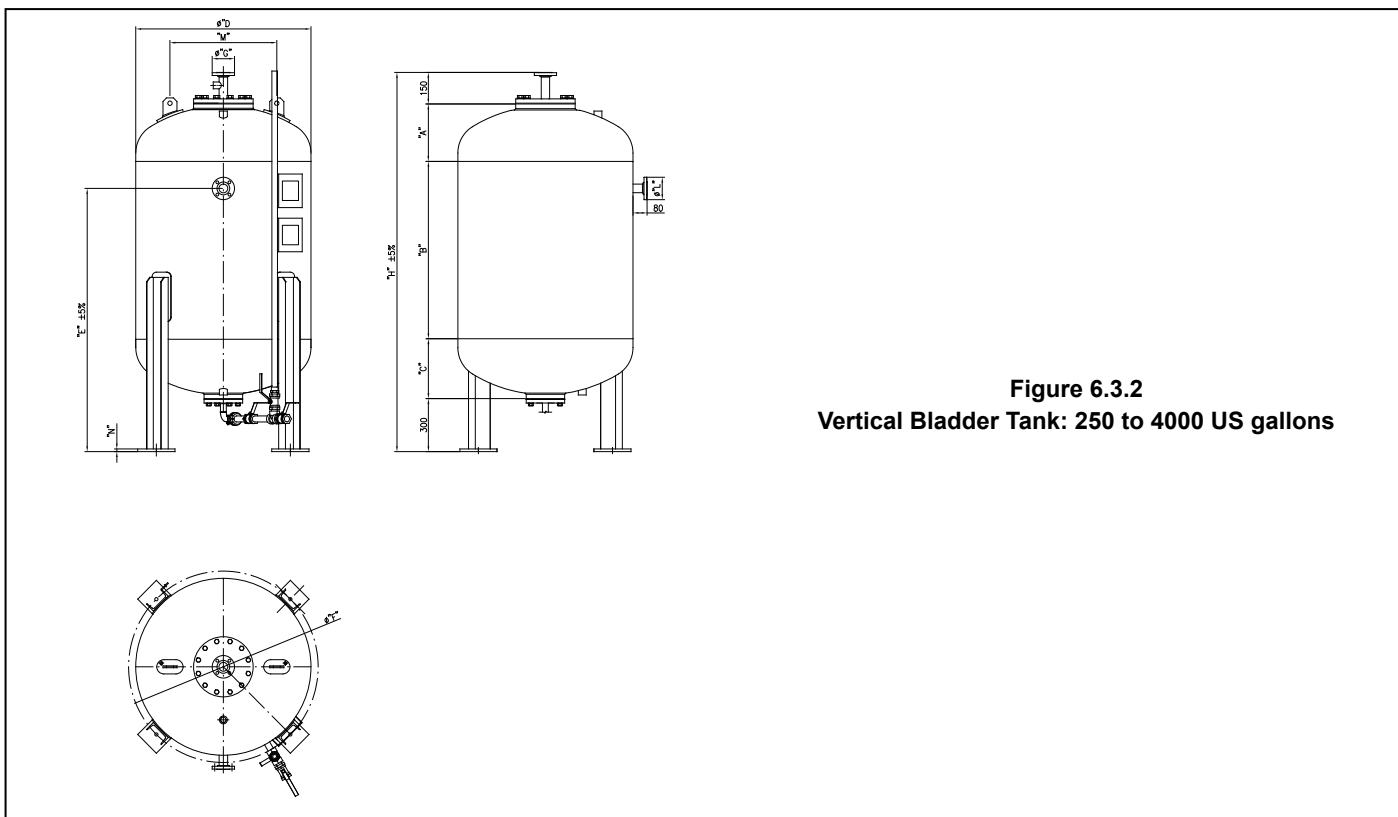
**VERTICAL AND HORIZONTAL  
BLADDER TANKS MODEL VFT  
ASME Sec.VIII Div.1 - U-1A**

The Viking Corporation, 210 N Industrial Park Drive, Hastings MI 49058  
 Telephone: 269-945-9501 Technical Services: 877-384-5464 Fax: 269-818-1680 Email: techsvcs@vikingcorp.com  
 Visit the Viking website for the latest edition of this technical data page.

## 6.3 Dimensions



**Figure 6.3.1  
Vertical Bladder Tank: 25 to 200 US gallons**



**Figure 6.3.2  
Vertical Bladder Tank: 250 to 4000 US gallons**



# TECHNICAL DATA

## VERTICAL AND HORIZONTAL BLADDER TANKS MODEL VFT ASME Sec.VIII Div.1 - U-1A

The Viking Corporation, 210 N Industrial Park Drive, Hastings MI 49058  
 Telephone: 269-945-9501 Technical Services: 877-384-5464 Fax: 269-818-1680 Email: techsvcs@vikingcorp.com  
 Visit [www.vikinggroupinc.com](http://www.vikinggroupinc.com) for the latest edition of this Technical Data page.

**Table 6.3.3 - Vertical Bladder Tank Dimensions (ASME Sec VIII Design Code)**

ASME Sec VIII Design Code		Capacity		Weight		A	B	C	ØD	E	ØF	ØG	H	ØL	M	N
175 PSI / 12.1 bar	232 PSI / 16.0 bar	USG	Litres	LBS	KG	inch	inch	inch	inch	inch	inch	inch	inch	inch	inch	inch
						mm	mm	mm	mm	mm	mm	mm	mm	mm	mm	mm
VFTV0025U	VFTV0025U-16	25	94	221	100	6.4	15.7	7.0	19.7	30.2	22.4	2	48.1	2	9.8	0.6
						163	400	178	500	768	570	50	1221	50	250	15
VFTV0036U	VFTV0036U-16	36	136	309	140	6.4	23.6	7.0	19.7	38.1	22.4	2	55.9	2	9.8	0.6
						163	600	178	500	968	570	50	1421	50	250	15
VFTV0050U	VFTV0050U-16	50	189	411	186	7.4	27.6	8.0	23.6	44.5	26.4	2	61.8	2	9.8	0.6
						187	700	203	600	1130	670	50	1570	50	250	15
VFTV0075U	VFTV0075U-16	75	283	450	204	7.4	35.4	8.0	23.6	44.5	26.4	2	69.7	2	9.8	0.6
						187	900	203	600	1130	670	50	1770	50	250	15
VFTV0100U	VFTV0100U-16	100	378	528	239	7.4	49.2	8.0	23.6	64.6	26.4	2	83.4	2	9.8	0.59
						187	1250	203	600	1640	670	50	2120	50	250	15
VFTV0150U	VFTV0150U-16	150	567	850	385	10.3	39.4	10.8	31.5	57.1	34.3	2	79.4	2	9.8	0.6
						262	1000	274	800	1450	870	50	2016	50	510	15
VFTV0200U	VFTV0200U-16	200	757	938	425	10.3	51.2	10.8	31.5	57.1	34.3	2	91.2	2	9.8	0.6
						262	1300	274	800	1450	870	50	2316	50	510	15
VFTV0250U	VFTV0250U-16	250	946	940	426	12.9	39.4	13.2	39.4	59.7	42.6	2.5	84.3	2.5	24.0	0.6
						327	1000	336	1000	1516	1082	65	2142	65	610	15
VFTV0300U	VFTV0300U-16	300	1135	1091	494	12.9	51.2	13.2	39.4	71.5	42.6	2.5	96.1	2.5	24.0	0.6
						327	1300	336	1000	1816	1082	65	2442	65	610	15
VFTV0350U	VFTV0350U-16	350	1324	1113	504	12.9	55.1	13.2	39.4	75.4	42.6	2.5	100.1	2.5	24.0	0.6
						327	1400	336	1000	1916	1082	65	2542	65	610	15
VFTV0400U	VFTV0400U-16	400	1514	1150	521	12.9	65.0	13.2	39.4	85.3	42.6	2.5	109.9	2.5	24.0	0.6
						327	1650	336	1000	2166	1082	65	2792	65	610	15
VFTV0450U	VFTV0450U-16	450	1703	1823	826	13.0	59.1	13.3	43.3	79.4	46.5	2.5	104.1	2.5	24.0	0.6
						329	1500	337	1100	2017	1181	65	2645	65	610	15
VFTV0500U	VFTV0500U-16	500	1892	2004	908	13.0	70.9	13.3	43.3	91.2	46.5	2.5	115.9	2.5	24.0	0.6
						329	1800	337	1100	2317	1181	65	2945	65	610	15
VFTV0600U	VFTV0600U-16	600	2271	2267	1027	13.0	65.0	14.5	47.2	84.6	51.2	3	110.5	3	37.4	0.6
						330	1650	368	1200	2148	1300	80	2807	80	950	15
VFTV0700U	VFTV0700U-16	700	2649	2514	1139	14.1	65.0	15.5	51.2	86.4	55.3	3	113.4	3	33.5	0.6
						358	1650	394	1300	2194	1405	80	2881	80	850	15
VFTV0800U	VFTV0800U-16	800	3028	2695	1221	14.1	78.7	15.5	51.2	100.2	55.3	3	127.2	3	33.5	0.6
						358	2000	394	1300	2544	1405	80	3231	80	850	15
VFTV0900U	VFTV0900U-16	900	3406	3907	1770	15.3	78.7	16.5	55.1	100.0	59.3	3	129.4	3	36.6	0.6
						388	2000	420	1400	2540	1505	80	3287	80	930	15
VFTV1000U	VFTV1000U-16	1000	3785	3583	1623	15.8	74.8	17.1	57.1	96.6	61.2	3	126.6	3	36.6	0.6
						402	1900	434	1450	2454	1555	80	3215	80	930	15
VFTV1100U	VFTV1100U-16	1100	4163	3764	1705	15.8	82.7	17.1	57.1	104.5	61.2	3	134.4	3	36.6	0.6
						402	2100	434	1450	2654	1555	80	3415	80	930	15
VFTV1200U	VFTV1200U-16	1200	4542	3817	1729	16.4	82.7	17.6	59.1	105.0	63.2	3	135.5	3	37.4	0.6
						416	2100	447	1500	2667	1605	80	3442	80	950	15
VFTV1300U	VFTV1300U-16	1300	4921	4276	1937	17.4	78.7	18.5	63.0	102.0	67.1	3	133.6	3	41.3	0.6
						443	2000	471	1600	2591	1705	80	3393	80	1050	15
VFTV1400U	VFTV1400U-16	1400	5299	4358	1974	17.4	88.6	18.5	63.0	111.9	67.1	3	143.4	3	41.3	0.6
						443	2250	471	1600	2841	1705	80	3643	80	1050	15
VFTV1500U	VFTV1500U-16	1500	5678	4525	2050	19.6	74.8	20.6	68.9	100.1	73.2	3	133.8	3	45.3	0.6
						497	1900	522	1750	2542	1860	80	3398	80	1150	15
VFTV1600U	VFTV1600U-16	1600	6056	4636	2100	19.6	78.7	20.6	68.9	104.0	73.2	3	137.7	3	45.3	0.6
						497	2000	522	1750	2642	1860	80	3498	80	1150	15
VFTV1700U	VFTV1700U-16	1700	6435	4724	2140	20.5	78.7	21.5	70.9	103.4	75.2	3	139.6	3	45.3	0.6
						521	2000	547	1800	2627	1910	80	3547	80	1150	15
VFTV1800U	VFTV1800U-16	1800	6813	5347	2422	22.6	59.1	23.5	78.7	88.5	83.5	3	121.3	3	51.2	0.8
						575	1500	598	2000	2248	2120	80	3082	80	1300	20
VFTV1900U	VFTV1900U-16	1900	7192	5501	2492	22.6	63.0	23.5	78.7	92.4	83.5	3	125.3	3	51.2	0.8
						575	1600	598	2000	2348	2120	80	3182	80	1300	20
VFTV2000U	VFTV2000U-16	2000	7570	5722	2592	22.6	68.9	23.5	78.7	98.3	83.5	3	131.2	3	51.2	0.8
						575	1750	598	2000	2498	2120	80	3332	80	1300	20
VFTV2200U	VFTV2200U-16	2200	8327	6459	2926	22.6	82.7	23.5	78.7	112.1	83.5	3	145.0	3	51.2	0.8
						575	2100	598	2000	2848	2120	80	3682	80	1300	20
VFTV2400U	VFTV2400U-16	2400	9084	6691	3031	22.6	88.6	23.5	78.7	119.2	83.5	3	150.9	3	51.2	0.8
						575	2250	598	2000	3028	2120	80	3832	80	1300	20
VFTV2600U	VFTV2600U-16	2600	9842	6954	3150	22.6	102.4	23.5	78.7	131.8	83.5	3	164.6	3	51.2	0.8
						575	2600	598	2000	3348	2120	80	4182	80	1300	20
VFTV2800U	VFTV2800U-16	2800	10599	7605	3445	22.6	114.2	23.5	78.7	143.6	83.5	3	176.5	3	51.2	0.8
						575	2900	598	2000	3648	2120	80	4482	80	1300	20
VFTV3000U	VFTV3000U-16	3000	11356	7901	3579	22.6	122.0	23.5	78.7	151.5	83.5	3	184.3	3	51.2	0.8
						575	3100	598	2000	3848	2120	80	4682	80	1300	20
VFTV3200U	VFTV3200U-16	3200	12113	8442	3824	22.6	133.9	23.5	78.7	163.3	83.5	3	196.1	3	51.2	0.8
						575	3400	598	2000	4148	2120	80	4982	80	1300	20
VFTV3400U	VFTV3400U-16	3400	12870	8881	4023	22.6	145.7	23.5	78.7	175.1	83.5	3	208.0	3	51.2	0.8
						575	3700	598	2000	4448	2120	80	5282	80	1300	20
VFTV3600U	VFTV3600U-16	3600	13627	9113	4128	22.6	151.6	23.5	78.7	181.0	83.5	3	213.9	3	51.2	0.8
						575	3850	598	2000	4598	2120	80	5432	80	1300	20
VFTV3800U	VFTV3800U-16	3800	14384	9629	4362	22.6	165.4	23.5	78.7	194.8	83.5	3	227.6	3	51.2	0.8
						575	4200	598	2000	4948	2120	80	5782	80	1300	20
VFTV4000U	VFTV4000U-16	4000	15141	9916	4492	22.6	173.2	23.5	78.7	202.7	83.5	3	235.5	3	51.2	0.8
						575	4400	598	2000	5148	2120	80	5982	80	1300	20

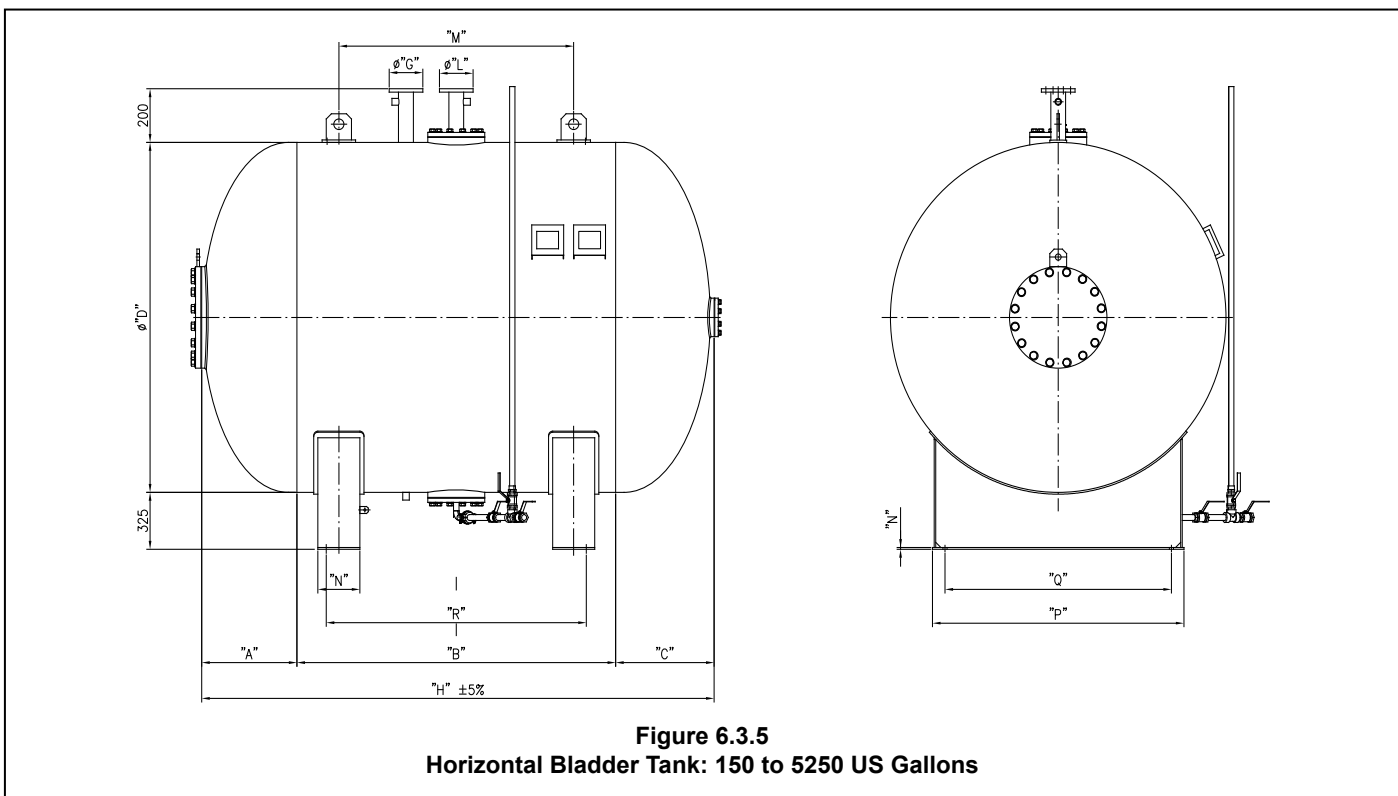
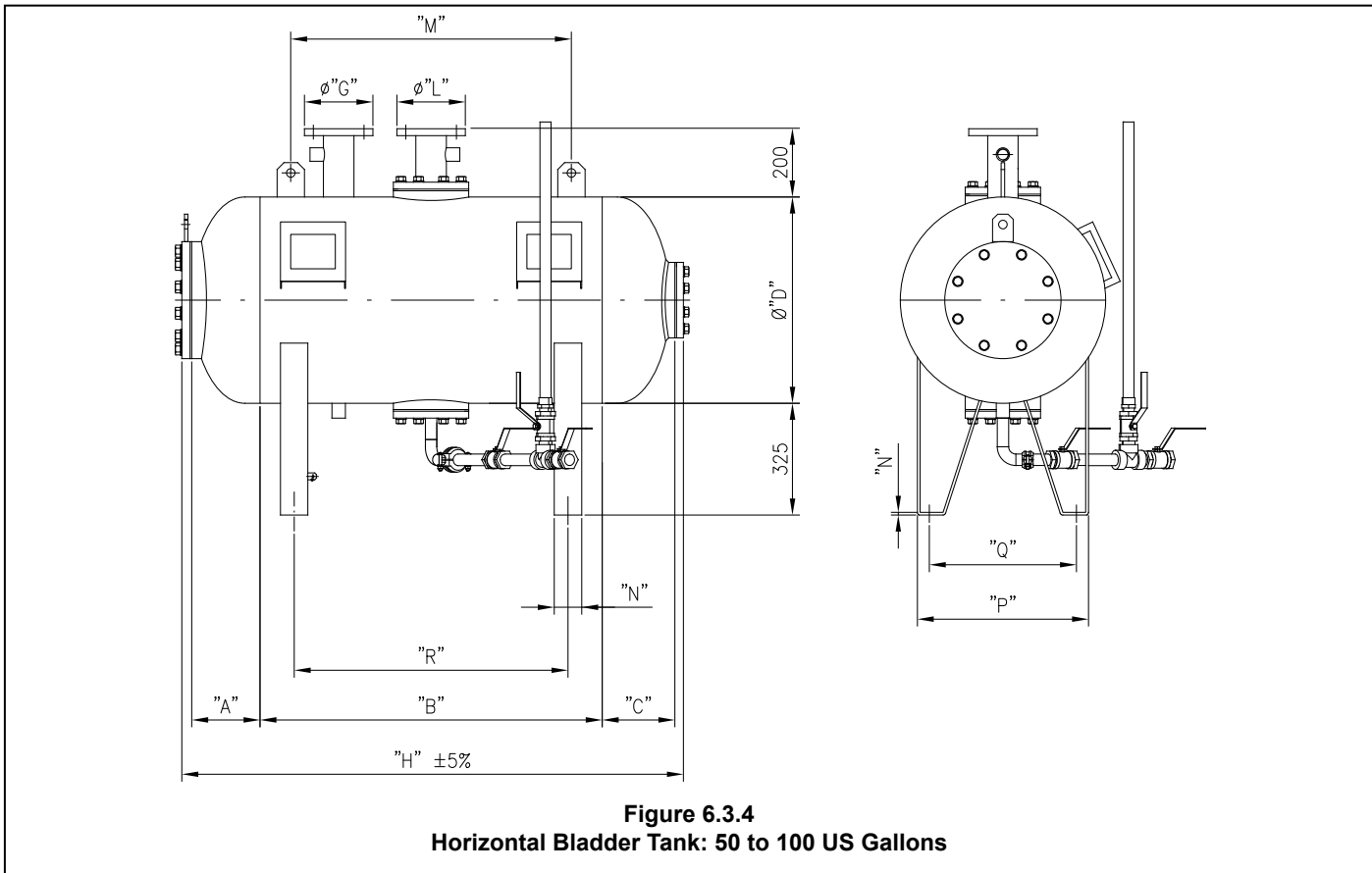




# TECHNICAL DATA

## VERTICAL AND HORIZONTAL BLADDER TANKS MODEL VFT ASME Sec.VIII Div.1 - U-1A

The Viking Corporation, 210 N Industrial Park Drive, Hastings MI 49058  
 Telephone: 269-945-9501 Technical Services: 877-384-5464 Fax: 269-818-1680 Email: techsvcs@vikingcorp.com  
 Visit [www.vikinggroupinc.com](http://www.vikinggroupinc.com) for the latest edition of this Technical Data page.





# TECHNICAL DATA

## VERTICAL AND HORIZONTAL BLADDER TANKS MODEL VFT ASME Sec.VIII Div.1 - U-1A

The Viking Corporation, 210 N Industrial Park Drive, Hastings MI 49058  
 Telephone: 269-945-9501 Technical Services: 877-384-5464 Fax: 269-818-1680 Email: techsvcs@vikingcorp.com  
 Visit [www.vikinggroupinc.com](http://www.vikinggroupinc.com) for the latest edition of this Technical Data page.

**Table 6.3.6 - Horizontal Bladder Tank Dimensions (ASME Sec VIII Design Code)**

Bladder Tank : ASME Sec VIII Design Code		Capacity		Weight		A	B	C	ØD	ØG	H	ØL	M	N	O	P	Q	R	
175 PSI / 12.1 bar	232 PSI / 16.0 bar	USG	Litres	LBS	KG	inch	inch	inch	inch	inch	inch	inch	inch	inch	inch	inch	inch	inch	
						mm	mm	mm	mm	mm	mm	mm	mm	mm	mm	mm	mm	mm	mm
VFTH0050U	VFTH0050U-16	50	189	574	260	8.0	39.4	8.0	19.7	2	55.4	2	32.3	0.3	7.9	16.7	13.8	32.3	
						203	1000	203	500	50	1406	50	820	8	200	425	350	820	
VFTH0075U	VFTH0075U-16	75	283	640	290	9.0	39.4	9.0	23.6	2	57.3	2	32.3	0.3	7.9	19.7	16.9	32.3	
						228	1000	228	600	50	1456	50	820	8	200	500	430	820	
VFTH0100U	VFTH0100U-16	100	378	684	310	9.0	49.2	9.0	23.6	2	67.2	2	42.1	0.3	7.9	19.7	16.9	40.2	
						228	1250	228	600	50	1706	50	1070	8	200	500	430	1020	
VFTH0150U	VFTH0150U-16	150	567	828	375	10.3	39.4	10.8	31.5	2	60.5	2	51.0	0.3	7.9	19.7	15.7	32.3	
						262	1000	274	800	50	1536	50	1295	8	200	500	400	820	
VFTH0200U	VFTH0200U-16	200	757	883	400	10.3	51.2	10.8	31.5	2	72.3	2	62.8	0.3	7.9	19.7	15.7	42.1	
						262	1300	274	800	50	1836	50	1595	8	200	500	400	1070	
VFTH0250U	VFTH0250U-16	250	946	1258	570	11.3	39.4	13.2	39.4	2.5	63.9	2.5	51.0	0.3	7.9	27.6	23.6	32.3	
						288	1000	336	1000	65	1624	65	1295	8	200	700	600	820	
VFTH0300U	VFTH0300U-16	300	1135	1391	630	11.3	51.2	13.2	39.4	2.5	75.7	2.5	39.4	0.3	7.9	27.6	23.6	42.1	
						288	1300	336	1000	65	1924	65	1000	8	200	700	600	1070	
VFTH0350U	VFTH0350U-16	350	1324	1453	650	11.3	55.1	13.2	39.4	2.5	79.7	2.5	39.4	0.3	7.9	27.6	23.6	42.1	
						288	1400	336	1000	65	2024	65	1000	8	200	700	600	1070	
VFTH0400U	VFTH0400U-16	400	1514	1479	670	11.3	65.0	13.2	39.4	2.5	89.5	2.5	51.2	0.3	5.9	27.6	23.6	53.5	
						288	1650	336	1000	65	2274	65	1300	8	150	700	600	1360	
VFTH0450U	VFTH0450U-16	450	1703	2137	968	11.6	59.1	13.2	43.3	2.5	83.9	2.5	45.3	0.3	5.9	31.5	27.6	48.0	
						294	1500	336	1100	65	2130	65	1150	8	150	800	700	1220	
VFTH0500U	VFTH0500U-16	500	1892	2318	1050	11.6	70.9	13.2	43.3	2.5	95.7	2.5	57.1	0.3	5.9	31.5	27.6	59.8	
						294	1800	336	1100	65	2430	65	1450	8	150	800	700	1520	
VFTH0600U	VFTH0600U-16	600	2271	2377	1077	12.7	65.0	14.2	47.2	3	91.9	3	53.5	0.3	5.9	35.4	31.5	56.7	
						322	1650	361	1200	80	2333	80	1360	8	150	900	800	1440	
VFTH0700U	VFTH0700U-16	700	2649	2651	1201	13.8	65.0	15.2	51.2	3	94.0	3	58.3	0.3	5.9	35.4	31.5	56.7	
						351	1650	386	1300	80	2387	80	1480	8	150	900	800	1440	
VFTH0800U	VFTH0800U-16	800	3028	2898	1313	13.8	78.7	15.2	51.2	3	107.8	3	63.0	0.3	5.9	35.4	31.5	66.1	
						351	2000	386	1300	80	2737	80	1600	8	150	900	800	1680	
VFTH0900U	VFTH0900U-16	900	3406	3680	1667	15.3	78.7	16.3	55.1	3	110.3	3	63.0	0.3	5.9	39.4	33.5	66.1	
						389	2000	413	1400	80	2801	80	1600	8	150	1000	850	1680	
VFTH1000U	VFTH1000U-16	1000	3785	3592	1627	15.8	74.8	16.8	57.1	3	107.4	3	63.0	0.4	5.9	39.4	33.5	62.2	
						402	1900	426	1450	80	2728	80	1600	10	150	1000	850	1580	
VFTH1100U	VFTH1100U-16	1100	4163	3777	1711	15.8	82.7	16.8	57.1	3	115.3	3	63.0	0.4	5.9	39.4	33.5	66.1	
						402	2100	426	1450	80	2928	80	1600	10	150	1000	850	1680	
VFTH1200U	VFTH1200U-16	1200	4542	4159	1884	16.5	82.7	17.3	59.1	3	116.4	3	66.9	0.4	5.9	39.4	33.5	70.1	
						418	2100	439	1500	80	2957	80	1700	10	150	1000	850	1780	
VFTH1300U	VFTH1300U-16	1300	4921	4355	1973	17.5	78.7	18.3	63.0	3	114.6	3	63.0	0.4	5.9	43.3	37.4	68.1	
						445	2000	465	1600	80	2910	80	1600	10	150	1100	950	1730	
VFTH1400U	VFTH1400U-16	1400	5299	4629	2097	17.5	88.6	18.3	63.0	3	124.4	3	70.9	0.4	5.9	43.3	37.4	76.0	
						445	2250	465	1600	80	3160	80	1800	10	150	1100	950	1930	
VFTH1500U	VFTH1500U-16	1500	5678	4525	2050	19.6	74.8	20.6	68.9	3	115.0	3	61.0	0.4	5.9	47.2	41.3	63.4	
						498	1900	522	1750	80	2920	80	1550	10	150	1200	1050	1610	
VFTH1600U	VFTH1600U-16	1600	6056	4746	2150	19.6	78.7	20.6	68.9	3	118.9	3	61.0	0.4	5.9	47.2	41.3	65.4	
						498	2000	522	1750	80	3020	80	1550	10	150	1200	1050	1660	
VFTH1700U	VFTH1700U-16	1700	6435	4967	2250	20.2	78.7	21.1	70.9	3	120.0	3	61.0	0.4	5.9	47.2	41.3	66.1	
						513	2000	535	1800	80	3047	80	1550	10	150	1200	1050	1680	
VFTH1800U	VFTH1800U-16	1800	6813	5700	2582	22.3	59.1	23.1	78.7	3	104.4	3	47.2	0.4	5.9	59.1	53.1	49.2	
						566	1500	586	2000	80	2652	80	1200	10	150	1500	1350	1250	
VFTH1900U	VFTH1900U-16	1900	7192	5854	2652	22.3	63.0	23.1	78.7	3	108.3	3	52.4	0.4	5.9	59.1	53.1	49.2	
						566	1600	586	2000	80	2752	80	1330	10	150	1500	1350	1250	
VFTH2000U	VFTH2000U-16	2000	7570	6086	2757	22.3	68.9	23.1	78.7	3	114.3	3	52.4	0.4	5.9	59.1	53.1	55.1	
						566	1750	586	2000	80	2902	80	1330	10	150	1500	1350	1400	
VFTH2200U	VFTH2200U-16	2200	8327	6581	2981	22.3	82.7	23.1	78.7	3	128.0	3	63.0	0.4	5.9	59.1	53.1	68.9	
						566	2100	586	2000	80	3252	80	1600	10	150	1500	1350	1750	
VFTH2400U	VFTH2400U-16	2400	9084	6823	3091	22.3	88.6	23.1	78.7	3	133.9	3	68.9	0.4	5.9	59.1	53.1	74.8	
						566	2250	586	2000	80	3402	80	1750	10	150	1500	1350	1900	
VFTH2600U	VFTH2600U-16	2600	9842	7362	3335	22.3	102.4	23.1	78.7	3	147.7	3	82.7	0.4	5.9	59.1	53.1	88.6	
						566	2600	586	2000	80	3752	80	2100	10	150	1500	1350	2250	
VFTH2800U	VFTH2800U-16	2800	10599	7870	3565	22.3	114.2	23.1	78.7	3	159.5	3	94.5	0.4	5.9	59.1	53.1	100.4	
						566	2900	586	2000	80	4052	80	2400	10	150	1500	1350	2550	



# TECHNICAL DATA

## VERTICAL AND HORIZONTAL BLADDER TANKS MODEL VFT ASME Sec.VIII Div.1 - U-1A

The Viking Corporation, 210 N Industrial Park Drive, Hastings MI 49058  
 Telephone: 269-945-9501 Technical Services: 877-384-5464 Fax: 269-818-1680 Email: techsvcs@vikingcorp.com  
 Visit [www.vikinggroupinc.com](http://www.vikinggroupinc.com) for the latest edition of this Technical Data page.

**Table 6.3.6 - Horizontal Bladder Tank Dimensions (ASME Sec VIII Design Code) (cont.)**

Bladder Tank : ASME Sec VIII Design Code		Capacity		Weight		A	B	C	ØD	ØG	H	ØL	M	N	O	P	Q	R
175 PSI /12.1 bar	232 PSI / 16.0 bar	USG	Litres	LBS	KG	inch	inch	inch	inch	inch	inch	inch	inch	inch	inch	inch	inch	inch
						mm	mm	mm	mm	mm	mm	mm	mm	mm	mm	mm	mm	mm
VFTH3000U	VFTH3000U-16	3000	11356	8177	3704	22.3	122.0	23.1	78.7	3	167.4	3	102.4	0.4	5.9	59.1	53.1	108.3
						566	3100	586	2000	80	4252	80	2600	10	150	1500	1350	2750
VFTH3200U	VFTH3200U-16	3200	12113	8618	3904	22.3	133.9	23.1	78.7	3	179.2	3	114.2	0.4	5.9	59.1	53.1	120.1
						566	3400	586	2000	80	4552	80	2900	10	150	1500	1350	3050
VFTH3400U	VFTH3400U-16	3400	12870	8925	4043	22.3	141.7	23.1	78.7	3	187.1	3	126.0	0.4	5.9	59.1	53.1	131.9
						566	3600	586	2000	80	4752	80	3200	10	150	1500	1350	3350
VFTH3600U	VFTH3600U-16	3600	13627	9311	4218	22.3	151.6	23.1	78.7	3	196.9	3	139.8	0.4	5.9	59.1	53.1	145.7
						566	3850	586	2000	80	5002	80	3550	10	150	1500	1350	3700
VFTH3800U	VFTH3800U-16	3800	14384	9631	4363	22.3	159.4	23.1	78.7	3	204.8	3	139.8	0.4	5.9	59.1	53.1	145.7
						566	4050	586	2000	80	5202	80	3550	10	150	1500	1350	3700
VFTH4000U	VFTH4000U-16	4000	15141	10170	4607	22.3	173.2	23.1	78.7	3	218.6	3	139.8	0.4	5.9	59.1	53.1	145.7
						566	4400	586	2000	80	5552	80	3550	10	150	1500	1350	3700
VFTH4250U	VFTH4250U-16	4250	16088	10631	4816	22.3	185.0	23.1	78.7	3	230.4	3	139.8	0.4	5.9	59.1	53.1	145.7
						566	4700	586	2000	80	5852	80	3550	10	150	1500	1350	3700
VFTH4500U	VFTH4500U-16	4500	17034	11095	5026	22.3	196.9	23.1	78.7	3	242.2	3	139.8	0.4	5.9	59.1	53.1	151.6
						566	5000	586	2000	80	6152	80	3550	10	150	1500	1350	3850
VFTH4750U	VFTH4750U-16	4750	17980	11634	5270	22.3	210.6	23.1	78.7	3	256.0	3	139.8	0.4	5.9	59.1	53.1	151.6
						566	5350	586	2000	80	6502	80	3550	10	150	1500	1350	3850
VFTH5000U	VFTH5000U-16	5000	18927	12097	5480	22.3	222.4	23.1	78.7	3	267.8	3	139.8	0.4	5.9	59.1	53.1	159.4
						566	5650	586	2000	80	6802	80	3550	10	150	1500	1350	4050
VFTH5250U	VFTH5250U-16	5250	19873	12636	5724	22.3	236.2	23.1	78.7	3	281.6	3	139.8	0.4	5.9	59.1	53.1	159.4
						566	6000	586	2000	80	7152	80	3550	10	150	1500	1350	4050

## 7. INSTALLATION

Refer to appropriate Installation Standards (i.e. NFPA, VdS, LPCB, etc.) and / or FM applicable FM Global Property Loss Prevention Data Sheets such as 4-12, Foam-Water Sprinkler Systems.

The Installation, Operation and Maintenance Bladder Tank Manual shall also be referenced.

### NOTICE

**When designing a bladder tank into your fire protection system, please give consideration to future maintenance activities. Ensure that adequate clearance above a vertical bladder tank or at the inspection flange end of a horizontal tank is allowed. For further guidance contact us.**

## 8. OPERATION

1. Foam concentrate is stored inside the bladder. When used in conjunction with a Ratio Controller it proportions foam concentrate accurately into the water stream.
2. During system activation, the outer side of the bladder is pressurized by the system water supply which forces foam concentrate to the proportioner or a ratio controller.
3. Simultaneously, as water flows through the venturi area of the wide range proportioner or ratio controller, a metered pressure drop draws foam concentrate into the system water stream creating a foam solution mixed to the appropriate ratios.
4. The foam solution flows through the system pipework and out of any open sprinklers, nozzles or other discharge devices.
5. As the foam concentrate continues to flow from the inside of the bladder, system water enters the bladder tank on the outside of the bladder keeping a balanced pressure system.

## 9. GUARANTEE

For details of warranty, refer to Viking's current list price schedule or contact Viking directly.



## TECHNICAL DATA

**VERTICAL AND HORIZONTAL  
BLADDER TANKS MODEL VFT  
ASME Sec.VIII Div.1 - U-1A**

The Viking Corporation, 210 N Industrial Park Drive, Hastings MI 49058  
Telephone: 269-945-9501 Technical Services: 877-384-5464 Fax: 269-818-1680 Email: techsvcs@vikingcorp.com  
Visit the Viking website for the latest edition of this technical data page.

### 10. INSPECTION, TESTS AND MAINTENANCE

#### **⚠ WARNING**

Any system maintenance or testing that involves placing a control valve or detection system out of service may eliminate the fire protection capabilities of that system. Prior to proceeding, notify all Authorities Having Jurisdiction. Consideration should be given to employment of a fire patrol in the affected area.

Refer to respective requirements, according to the relevant standards for Inspection, Testing and Maintenance. If applicable, refer to FM Global Property Loss Prevention Datasheet 4-12 for specific test and commissioning criteria. In addition, the "Authority Having Jurisdiction" (AHJ) may have additional maintenance, testing and inspection requirements that must be followed.

### 11. DISPOSAL

At end of use the product described here should be disposed of via the national recycling system. Upon request the manufacturer can take back and properly dispose of the electrical equipment and electronic devices.

### 12. ACCESSORIES AND SPARE PARTS

Contact the appropriate sales office in Section 5 Availability for further assistance.

**Table 12.1.1 - Optional / Standard Spare Parts**

Description	Material	Connection	Part Number	
			175 PSI (12 bar) Tanks	16 bar Tanks
Safety Thermal Relief Valve	Brass	1/2"	B10C12.1	B10C16
ASME Safety Valve	Carbon Steel	3/4"	EUV34CS-12.1	EUV34CS-16.0
ASME Safety Valve	Stainless Steel 316	3/4"	EUV34SS-12.1	EUV34SS-16.0
Filling Device & KPA Gauge	Carbon Steel	1"	FILLDEVICE	
Replacement Bladder	Various	Contact us with tank serial number		
Sight tube replacement kit	Various	Contact us with tank serial number		

**Table 12.1.2 - Bladder Tank Manual**

Language	Part Number	Language	Part Number
English	F032216-EN	Dutch	F032216-NL
German	F032216-DE	Polish	F032216-PL
Spanish	F032216-ES	Swedish	F032216-SV
French	F032216-FR	Turkish	F032216-TR
Italian	F032216-IT	--	--

### 13. DECLARATION OF CONFORMITY

If required, contact the appropriate sales office in **Section 5 Availability** for further assistance.



## TECHNICAL DATA

## VIKING USP SFFF FLUORINE FREE FOAM CONCENTRATE

The Viking Corporation, 210 N Industrial Park Drive, Hastings MI 49058

Telephone: 269-945-9501 Technical Services: 877-384-5464 Fax: 269-818-1680 Email: techsvcs@vikingcorp.com

Visit the Viking website for the latest edition of this technical data page [www.vikinggroupinc.com](http://www.vikinggroupinc.com)

### 1. DESCRIPTION

The Viking USP concentrate concentrate is specially designed and tested to be an effective fluorine free fire protection system foam alternative. This concentrate is approved for use with fresh water when proportioned at 3%.

#### Features:

- New generation hydrocarbon risk fluorine free foam (SFFF)
- For Class A & B fires
- 100% Biodegradable

### 2. LISTINGS AND APPROVALS

This product must be used in accordance with the certifications listed below. Approved and listed system components can be found at [www.approvalguide.com](http://www.approvalguide.com) and <https://iq.ulprospector.com>



#### FM Approved

FM Approved Refer to the FM Approval guide for systems and devices that are approved for use with this concentrate. Refer to the system and device data sheets from Viking, NFPA, FM Global Property Loss Prevention Data Sheets, and relevant local codes and/or standards for correct system design. FM Approval of the foam extinguishing system is contingent upon the design, installation, testing and maintenance performed in accordance with NFPA and/or FM Global Property Loss Prevention Data Sheet 4-12, Foam/ Water Sprinkler Systems.



#### UL Listed – GFGV.EX27255

Underwriters Laboratories, UL 162 7th Edition Refer to the UL Listing for systems and devices that are approved for use with this concentrate. Refer to the system and device data sheets from Viking, NFPA, and relevant local codes and/or standards for correct system design.

“SFFF compatible” refers to this product as being part of a SFFF Foam system that has been tested to recognized standards. Not all configurations are available. Please consult technical data and/or the approval/ listing for usage requirements.

The following additional approvals are in the name of the manufacturer.

- EN 1568 Part 1 / EN 1568 Part 2 / EN 1568 part 3, Class 1A fresh water\*
- ICAO Level B\*
- GESIP approved for hydrocarbon fuels\*
- IMO 1312\*
- MED Module B and D\*
- Boeing Specification Support Standard BSS 7432\*

### 3. TECHNICAL DATA

#### Physical Data

Appearance.....	Clear to yellowish liquid
Specific gravity at 68 °F (20 °C) .....	1.04 +/- 0.01 g/ml
Viscosity .....	Pseudoplastic*
pH.....	6.5 to 8.5
Freezing point .....	12 °F (-11 °C)
Recommended storage temperature .....	32 °F to 131 °F (0 to 55°C)
FM Approved storage temperature .....	35 °F to 120 °F (1.7 to 49 °C)
Suspended sediment (v/v) .....	Less than 0.2%

\*see detailed viscosity data in section 16



WARNING: Cancer and Reproductive Harm-  
[www.P65Warnings.ca.gov](http://www.P65Warnings.ca.gov)





## TECHNICAL DATA

## VIKING USP SFFF FLUORINE FREE FOAM CONCENTRATE

The Viking Corporation, 210 N Industrial Park Drive, Hastings MI 49058  
 Telephone: 269-945-9501 Technical Services: 877-384-5464 Fax: 269-818-1680 Email: techsvcs@vikingcorp.com  
 Visit the Viking website for the latest edition of this technical data page www.vikinggroupinc.com

**TABLE 1: ORDERING INFORMATION**

Volume	Packaging	Part Number	Approximate Shipping Weight*		Dimensions* In (mm)		Sales Region
			Lbs.	Kg	Inches	mm	
25 Litres	Can	V-SFFFUSP/25	59**	26.7**	11x10x17	295x260x441	EMEA/APAC
200 Litres	Drum	V-SFFFUSP/200	469**	212.5**	23x23x37	581x581x935	EMEA/APAC
1000 Litres	IBC Tote	V-SFFFUSP/1000	2381	1080	47x39x45	1200x1000x1150	EMEA/APAC
6.5 US Gallons	Can	F21720-6.5	62**	28**	11x10x29	295x260x737	AMERICAS
55 US Gallons	Drum	F21720-55	487**	220.7**	23x23x37	581x581x935	AMERICAS
265 US Gallons	IBC Tote	F21720-265	2389	1083.6	47x39x45	1200x1000x1150	AMERICAS
Bulk	Bulk tanker deliveries available by special request. Contact Viking for availability.						

\*Shipping weight and dimensions are approximate. \*\*Weight does not include pallet.

#### 4. ENVIRONMENTAL IMPACT

The Viking USP concentrate is formulated using specially selected raw materials for their fire performance and their environmental profile. The product contains no intentionally added fluorinated surfactants, polymers, and other organohalogens. The Viking USP concentrate is biodegradable and contains NO PFOS NOR PFOA. The handling of foam concentrate or foam solution spills should be in accordance with local regulations. Sewage systems should have no processing issues with foam solution based on the Viking USP concentrate but local sewage operators should be consulted in this respect. The Viking USP concentrate is formulated without the use of fluorinated surfactants. Full details can be found in the Safety Data Sheet (SDS).

#### 5. APPLICATION

The Viking USP concentrate is intended for use on class B hydrocarbon fuel fires such as oil, diesel, aviation fuel and gasoline. It is also suitable for class A fires such as wood, paper, textiles etc. The Viking USP concentrate is especially suited whenever a fluorine-free alternative with high fire performance is required. The Viking USP concentrate is tested for use in sprinkler systems. Refer to listing or approval for further details of approved use combinations.

Note: Not for use as a premixed solution.

#### 6. PROPORTIONING

The Viking USP concentrate can be proportioned at the correct dilution using conventional equipment like bladder tanks and proportioners. Refer to the FM Approval or UL Listing for proportioning equipment approved for use with this concentrate.

#### 7. FIRE PERFORMANCE & FOAMING

The fire performance of this product has been measured and documented according to "International Approvals" stated in this document. The foaming properties are depending on equipment used and other variables such as water and ambient temperatures.

#### 8. SPRINKLER APPLICATION

Sprinkler applications are especially challenging for any foam due to the low operating pressure and the very low expansion reached. Applying foam through a sprinkler is a forceful application method and requires foam that can handle direct application and partial submersion into the fuel without losing its fire performance and burnback resistance. Foams that shall be regarded as suitable for sprinkler applications shall also be able to withstand limited time of water deluge directly onto the foam blanket and still maintain the burnback properties. The Viking USP concentrate has passed above described tests showing very good extinguishing and burnback properties. Refer to the FM Approval Guide or UL Product iQ for acceptable system configurations used with this concentrate and specific sprinkler SINS and their associated minimum application densities.



## TECHNICAL DATA

## VIKING USP SFFF FLUORINE FREE FOAM CONCENTRATE

The Viking Corporation, 210 N Industrial Park Drive, Hastings MI 49058

Telephone: 269-945-9501 Technical Services: 877-384-5464 Fax: 269-818-1680 Email: [techsvcs@vikingcorp.com](mailto:techsvcs@vikingcorp.com)

Visit the Viking website for the latest edition of this technical data page [www.vikinggroupinc.com](http://www.vikinggroupinc.com)

### 9. STORAGE / SHELF LIFE

Stored in original unbroken packaging the product will have a long shelf life. Shelf life in excess of 10 years will be found in temperate climates. As with all foams, shelf life will be dependent on storage temperatures and conditions.

### 10. SCOPE OF DELIVERY

We supply this product in 25 litre and 6.5 US gallon cans, 200 litre and 55 US gallon drums, 1000 litre and 265 US gallon IBC containers and in bulk on special request.

### 11. INSPECTIONS, TESTS AND MAINTENANCE

The foam concentrate should be tested annually. Refer to respective requirements, according to the relevant codes and/or standards for Inspection, Testing and Maintenance. If applicable, refer to FM Global Property Loss Prevention Datasheet 4-12 for specific test and commissioning criteria. In addition, the "Authority Having Jurisdiction" (AHJ) may have additional maintenance, testing and inspection requirements that must be followed

### 12. DISPOSAL



At the end of use the product packaging should be disposed of via the national recycling system. Some IBC Tote containers maybe part of a national collection scheme. Details will be attached to the IBC Tote if this service is available. Foam Concentrate should be disposed of according to local regulations.

### 13. AVAILABILITY

The product is available directly from Viking and official distributors only.

#### Americas:

The Viking Corporation  
5150 Beltway SE  
Caledonia, MI 49316  
Tel.: (800) 968-9501  
Fax: 269-818-1680  
Technical Services: 1-877-384-5464  
[techsvcs@vikingcorp.com](mailto:techsvcs@vikingcorp.com)

#### EMEA:

Viking S.A.  
21, Z.I. Haneboesch  
L-4562 Differdange / Niederkorn  
Tel.: +352 58 37 37 - 1  
Fax: +352 58 37 36  
[vikinglux@viking-emea.com](mailto:vikinglux@viking-emea.com)

#### Asia Pacific (APAC) Main Office:

The Viking Corporation (Far East) Pte. Ltd.  
69 Tuas View Square  
Westlink Techpark, Singapore 637621  
Tel: (+65) 6 278 4061  
Fax: (+65) 6 278 4609  
[vikingAPAC@vikingcorp.com](mailto:vikingAPAC@vikingcorp.com)

### 14. GUARANTEE

For details of warranty, refer to Viking's current list price schedule or contact Viking directly.

### 15. COMPATIBILITY

Contact Viking with questions regarding the compatibility of this product.

	<b>TECHNICAL DATA</b>	<b>VIKING USP SFFF FLUORINE FREE FOAM CONCENTRATE</b>
---	-----------------------	---

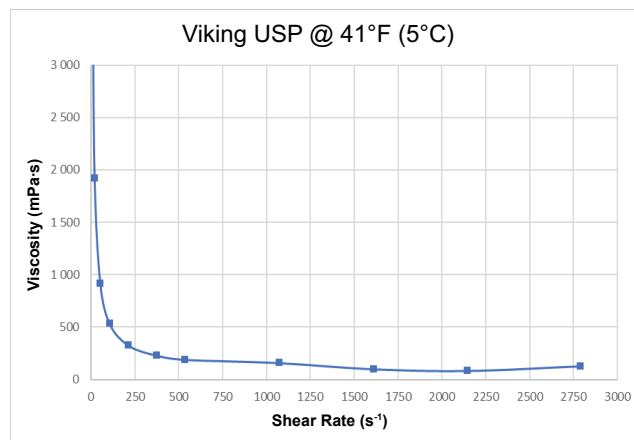
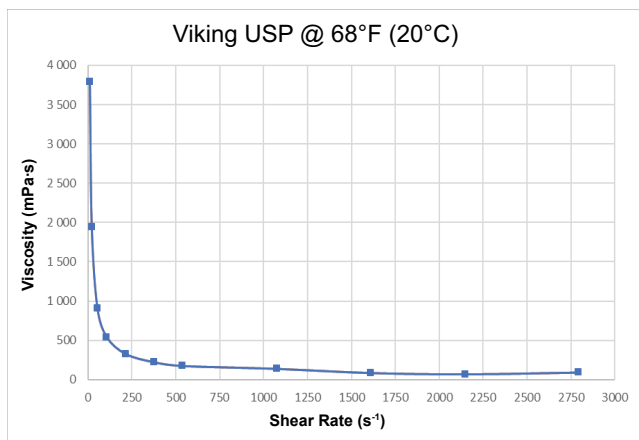
The Viking Corporation, 210 N Industrial Park Drive, Hastings MI 49058  
 Telephone: 269-945-9501 Technical Services: 877-384-5464 Fax: 269-818-1680 Email: techsvcs@vikingcorp.com  
 Visit the Viking website for the latest edition of this technical data page [www.vikinggroupinc.com](http://www.vikinggroupinc.com)

## 16. VISCOSITY

The viscosity flow curves are determined by Brookfield RST rheometer from low to high shear rates. The viscosity curves below are determined by calculating the average value of at least 8 different measurements and add a safety margin of three standard deviations to the average. The viscosity curves are determined for 68 °F and 41 °F (20 °C and 5 °C). In the table below the kinematic viscosity (mm<sup>2</sup>/s) is calculated as dynamic viscosity (mPa·s) divided by the specific gravity of the concentrate.

TABLE 2: Viscosity Information					
RPM	Shear Rate (s <sup>-1</sup> )	Dynamic Viscosity (mPa/s)		Kinetic Viscosity (mm <sup>2</sup> /s)	
		68 °F (20 °C)	41 °F (5 °C)	68 °F (20 °C)	41 °F (5 °C)
5	10.7	3793	3716	3647	3573
10	21.5	1948	1921	1873	1847
25	53.7	910	916	875	881
50	107.4	541	531	521	510
100	214.8	328	325	316	312
175	375.0	224	229	215	220
250	537.0	176	189	169	182
500	1074.0	139	158	134	152
750	1611.0	86	99	82	96
1000	2148.0	70	83	67	80
1300	2792.2	91	128	88	123

**Viscosity vs Shear Rate**







## TECHNICAL DATA

## VIKING ARK SFFF FLUORINE FREE FOAM CONCENTRATE

The Viking Corporation, 210 N Industrial Park Drive, Hastings MI 49058

Telephone: 269-945-9501 Technical Services: 877-384-5464 Fax: 269-818-1680 Email: techsvcs@vikingcorp.com

Visit the Viking website for the latest edition of this technical data page.

### 1. DESCRIPTION

Viking ARK concentrate is specially designed and tested to be an effective fluorine free fire protection system foam alternative. This concentrate is approved for use with fresh water when proportioned at 3%.

#### Features:

- New Generation alcohol resistant fluorine free foam (SFFF)
- For Class A & B fires

### 2. LISTINGS AND APPROVALS

This product must be used in accordance with the certifications listed below.

#### FM Approved



Refer to the FM Approval guide for systems and devices that are approved for use with this concentrate. Refer to the system and device data sheets from Viking, NFPA 11, FM Global Property Loss Prevention Data Sheets, and relevant local standards for correct system design. FM Approval of the foam extinguishing system is contingent upon the design, installation, testing and maintenance performed in accordance with NFPA 11 and/or FM Global Property Loss Prevention Data Sheet 4-12, Foam/Water Sprinkler Systems.

“SFFF compatible” refers to this product as being part of a SFFF Foam system that has been tested to recognized standards. Not all configurations are available. Please consult technical data and/or the Approval/Listing for usage requirements.



**WARNING:** Cancer and Reproductive Harm-  
[www.P65Warnings.ca.gov](http://www.P65Warnings.ca.gov)

### 3. TECHNICAL DATA

#### Physical Data

Appearance.....	Clear to yellowish liquid
Specific gravity at 68 °F (20 °C) .....	1,013 +/- 0.01 g/ml
Viscosity .....	Pseudoplastic*
pH.....	6,5 to 8,5
Freezing point .....	25 °F (-4 °C)
Recommended storage temperature .....	32 °F to 131 °F (0 to 55°C)
FM Approved storage temperature .....	35 °F to 120 °F (1.7 to 49 °C)
Suspended sediment (v/v) .....	Less than 0,2%

\*see detailed viscosity data in section 16



### 4. ENVIRONMENTAL IMPACT

Viking ARK is formulated using specially selected raw materials for their fire performance and their environmental profile. The product contains no intentionally added fluorinated surfactants, polymers, and other organohalogens. Viking ARK is biodegradable and contains NO PFOS NOR PFOA. The handling of foam concentrate or foam solution spills should be in accordance with local regulations. Sewage systems should have no processing issues with foam solution based on Viking ARK concentrate but local sewage operators should be consulted in this respect. Viking ARK is formulated without the use of fluorinated surfactants. Full details can be found in the Safety Data Sheet (SDS).

### 5. APPLICATION

Viking ARK is intended for use on class B hydrocarbon fuel fires such as oil, Diesel and Gasoline as well as polar solvents such as IPA, Acetone, Ethanol, and Methanol. It is also suitable for class A fires such as wood, paper, textiles etc. Viking ARK is especially suited whenever a fluorine-free alternative with high fire performance is required. Viking ARK is tested for use in sprinkler systems. Refer to Listing or Approval for further details of approved use combinations.

Note: Not for use as a premixed solution.



## TECHNICAL DATA

## VIKING ARK SFFF FLUORINE FREE FOAM CONCENTRATE

The Viking Corporation, 210 N Industrial Park Drive, Hastings MI 49058  
 Telephone: 269-945-9501 Technical Services: 877-384-5464 Fax: 269-818-1680 Email: techsvcs@vikingcorp.com  
 Visit the Viking website for the latest edition of this technical data page.

**TABLE 1: ORDERING INFORMATION**

Volume	Packaging	Part Number	Approximate Shipping Weight**		Dimensions* In (mm)		Sales Region
			Lbs.	Kg	Inches	mm	
25 Litres	Can	V-SFFFARK/25	55**	25**	11x10x17	295x260x441	EMEA/APAC
200 Litres	Drum	V-SFFFARK/200	461**	209**	23x23x37	581x581x935	EMEA/APAC
1000 Litres	IBC Tote	V-SFFFARK/1000	2340	1060	47x39x45	1200x1000x1150	EMEA/APAC
6.5 US Gallons	Can	F24175-6.5	62**	28**	11x10x29	295x260x737	AMERICAS
55 US Gallons	Drum	F24175-55	488**	221**	23x23x37	581x581x935	AMERICAS
265 US Gallons	IBC Tote	F24175-265	2393	1084	47x39x45	1200x1000x1150	AMERICAS
Bulk	Bulk tanker deliveries available by special request. Contact Viking for availability.						

\*Shipping Weight and Dimensions are approximate. \*\*Weight does not include pallet.

### 6. PROPORTIONING

Viking ARK can be proportioned at the correct dilution using conventional equipment like bladder tanks and proportioners. Refer to the FM Approval for proportioning equipment approved for use with this concentrate.

### 7. FIRE PERFORMANCE & FOAMING

The fire performance of this product has been measured and documented according to "International Approvals" stated in this document. The foaming properties are depending on equipment used and other variables such as water and ambient temperatures.

### 8. SPRINKLER APPLICATION

Sprinkler applications are especially challenging for any foam due to the low operating pressure and the very low expansion reached. Applying foam through a sprinkler is a forceful application method and requires foam that can handle direct application and partial submersion into the fuel without losing its fire performance and burnback resistance. Foams that shall be regarded as suitable for sprinkler applications shall also be able to withstand limited time of water deluge directly onto the foam blanket and still maintain the burnback properties. Viking ARK has passed above described tests showing very good extinguishing and burnback properties. Refer to the FM Approval Guide for acceptable system configurations used with this concentrate and specific sprinkler SINS and their associated minimum application densities.

### 9. STORAGE / SHELF LIFE

Stored in original unbroken packaging the product will have a long shelf life. Shelf life in excess of 10 years will be found in temperate climates. As with all foams, shelf life will be dependent on storage temperatures and conditions.

### 10. SCOPE OF DELIVERY

We supply this product in 25 litre and 6.5 US gallon cans, 200 litre and 55 US gallon drums, 1000 litre and 265 US gallon IBC containers and in bulk on special request.

### 11. INSPECTIONS, TESTS AND MAINTENANCE

The foam concentrate should be tested annually. Refer to respective requirements, according to the relevant standards for Inspection, Testing and Maintenance. If applicable, refer to FM Global Property Loss Prevention Datasheet 4-12 for specific test and commissioning criteria. In addition, the "Authority Having Jurisdiction" (AHJ) may have additional maintenance, testing and inspection requirements that must be followed.



## TECHNICAL DATA

## VIKING ARK SFFF FLUORINE FREE FOAM CONCENTRATE

The Viking Corporation, 210 N Industrial Park Drive, Hastings MI 49058

Telephone: 269-945-9501 Technical Services: 877-384-5464 Fax: 269-818-1680 Email: [techsvcs@vikingcorp.com](mailto:techsvcs@vikingcorp.com)

Visit the Viking website for the latest edition of this technical data page.

### 12. DISPOSAL



At the end of use the product packaging should be disposed of via the national recycling system. Some IBC Tote containers may be part of a national collection scheme. Details will be attached to the IBC Tote if this service is available. Foam Concentrate should be disposed of according to local regulations.

### 13. AVAILABILITY

The product is available directly from Viking and official distributors only.

#### Americas:

The Viking Corporation  
5150 Beltway SE  
Caledonia, MI 49316  
Tel.: (800) 968-9501  
Fax: 269-818-1680  
Technical Services: 1-877-384-5464  
[techsvcs@vikingcorp.com](mailto:techsvcs@vikingcorp.com)

#### EU:

Viking S.A.  
21, Z.I. Haneboesch  
L-4562 Differdange / Nieder Korn  
Tel.: +352 58 37 37 - 1  
Fax: +352 58 37 36  
[vikinglux@viking-emea.com](mailto:vikinglux@viking-emea.com)

#### Asia Pacific (APAC) Main Office:

The Viking Corporation (Far East) Pte. Ltd.  
69 Tuas View Square  
Westlink Techpark, Singapore 637621  
Tel: (+65) 6 278 4061  
Fax: (+65) 6 278 4609  
[vikingAPAC@vikingcorp.com](mailto:vikingAPAC@vikingcorp.com)

### 14. GUARANTEE

For details of warranty, refer to Viking's current list price schedule or contact Viking directly.

### 15. COMPATIBILITY

Contact Viking with questions regarding the compatibility of this product.

### 16. VISCOSITY

The viscosity flow curves are determined by Brookfield RST rheometer from low to high shear rates. The viscosity curves below are determined by calculating the average value of at least 8 different measurements and add a safety margin of three standard deviations to the average. The viscosity curves are determined for 68 °F and 41 °F (20 °C and 5 °C). In the table below the kinematic viscosity (mm<sup>2</sup>/s) is calculated as dynamic viscosity (mPa·s) divided by the specific gravity of the concentrate.

Shear Rate (s <sup>-1</sup> )	Dynamic Viscosity (mPa/s)		Kinetic Viscosity (mm <sup>2</sup> /s)	
	68 °F (20 °C)	41 °F (5 °C)	68 °F (20 °C)	41 °F (5 °C)
10,7	3083	3258	3043	3217
21,5	1726	1851	1703	1827
53,7	791	870	781	859
107,4	444	505	438	499
214,8	261	304	258	300
375,0	174	206	171	204
537,0	136	164	134	162
1074,0	106	121	104	119
1611,0	68	88	67	87
2148,0	58	75	57	74
2792,2	79	87	78	86

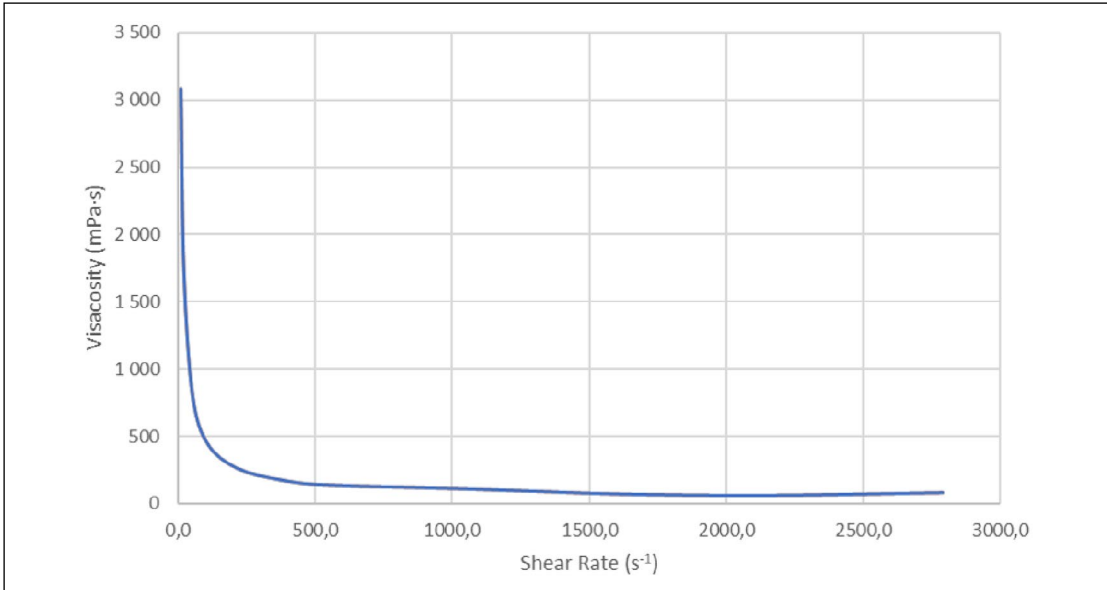


**TECHNICAL DATA**

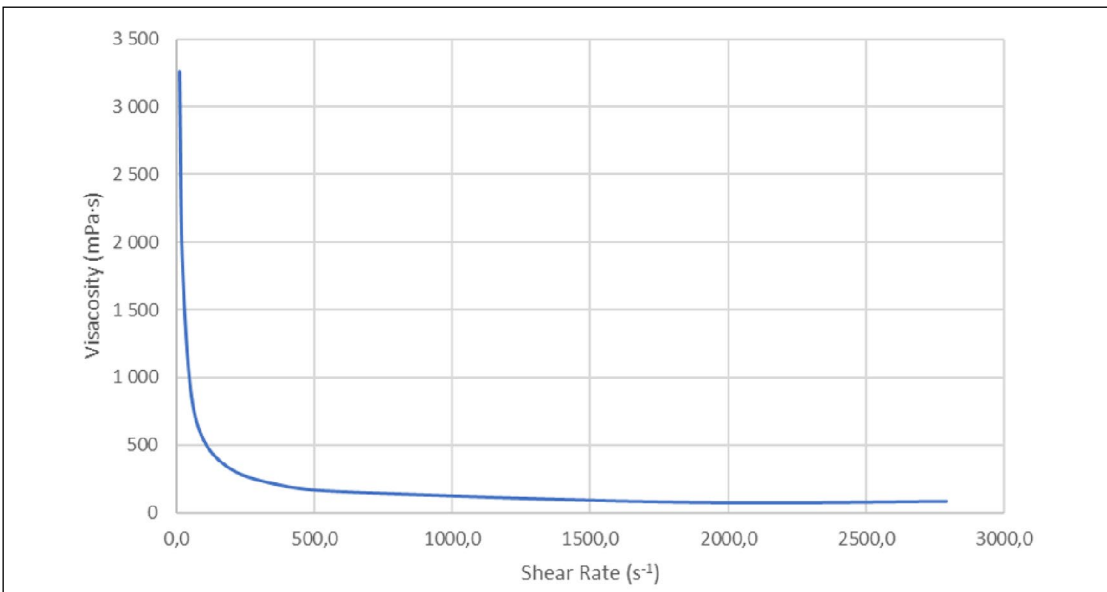
**VIKING ARK SFFF  
FLUORINE FREE  
FOAM CONCENTRATE**

The Viking Corporation, 210 N Industrial Park Drive, Hastings MI 49058  
Telephone: 269-945-9501 Technical Services: 877-384-5464 Fax: 269-818-1680 Email: techsvcs@vikingcorp.com  
Visit the Viking website for the latest edition of this technical data page.

**Viscosity vs Shear Rate - Viking ARK SFFF @ 68 °F (20 °C)**



**Viscosity vs Shear Rate - Viking ARK SFFF @ 41 °F (5 °C)**





## TECHNICAL DATA

## APPROVED SPRINKLERS FOR USE WITH FOAM CONCENTRATES

The Viking Corporation, 210 N Industrial Park Drive, Hastings MI 49058

Telephone: 269-945-9501 Technical Services: 877-384-5464 Fax: 269-818-1680 Email: techsvcs@vikingcorp.com

Visit the Viking website for the latest edition of this technical data page [www.vikinggroupinc.com](http://www.vikinggroupinc.com)

### 1. DESCRIPTION

Viking Pendent and Upright Foam-Water Sprinklers are non-aspirated foam discharge devices. Viking Pendent and Upright Foam-Water Sprinklers are FM Approved and UL Listed in both closed sprinkler (with bulb or fusible element) and open sprinkler (bulb removed) configurations.

Features:

- Tested and Approved as foam-water sprinklers with specific foam concentrates (see Performance Data).
- K-factors available: K5.6 (K80.6), K8.0 (K115.2), and K11.2 (K161.3)

### 2. LISTINGS AND APPROVALS

Viking Foam Water Sprinklers are FM Approved and/or UL Listed as part of a fire extinguishing system combining designated foam concentrates, bladder tanks and proportioning devices. Approved and Listed system components can be found at [www.approvalguide.com](http://www.approvalguide.com) and <https://iq.ulprospector.com>.



FM Approved – Low Expansion Foam Systems (FM5130)



UL Listed – GFGV.EX27255 (UL162)

“SFFF compatible” refers to this product as being part of a SFFF Foam system that has been tested to recognized standards. Not all configurations are available. Please consult technical data and/or the Approval/Listing for usage requirements.

Refer to the FM Approval and UL Listings tables in this document for technical performance data.

### 3. TECHNICAL DATA

Refer to the applicable sprinkler’s data page for product data.

### 4. SCOPE OF DELIVERY

Ensure that all components are complete and in good condition. Viking Foam/Water Sprinklers are supplied boxed with protective shield or cap.

### 5. AVAILABILITY

Please contact Viking for further information.

#### Americas:

The Viking Corporation  
5150 Beltway SE  
Caledonia, MI 49316  
Tel.: (800) 968-9501  
Fax: 269-818-1680  
Technical Services: 1-877-384-5464  
[techsvcs@vikingcorp.com](mailto:techsvcs@vikingcorp.com)

### 6. PRODUCT VARIANTS

Please refer to relevant sprinkler data page.

### 7. SCOPE OF DELIVERY

Ensure that all components are complete and in good condition. Viking Foam/Water Sprinklers are supplied boxed with protective shield or cap.

### 8. INSTALLATION

Refer to appropriate Installation Standards (i.e. NFPA, VdS, LPCB, etc.) and / or applicable FM Global Property Loss Prevention Data Sheets such as 4-12, Foam Extinguishing Systems.



**WARNING:** Cancer and Reproductive Harm-  
[www.P65Warnings.ca.gov](http://www.P65Warnings.ca.gov)





## TECHNICAL DATA

**APPROVED SPRINKLERS  
FOR USE WITH FOAM  
CONCENTRATES**

The Viking Corporation, 210 N Industrial Park Drive, Hastings MI 49058

Telephone: 269-945-9501 Technical Services: 877-384-5464 Fax: 269-818-1680 Email: techsvcs@vikingcorp.com

Visit the Viking website for the latest edition of this technical data page [www.vikinggroupinc.com](http://www.vikinggroupinc.com)

### 9. OPERATION

During fire conditions, the heat-sensitive liquid in the glass bulb expands, causing the glass to shatter, releasing the pip cap and sealing spring assembly. Water or Foam/Water Solution flowing through the sprinkler orifice strikes the sprinkler deflector, forming a uniform spray pattern to extinguish or control the fire.

### 10. GUARANTEE

For details of warranty, refer to Viking's current list price schedule or contact Viking directly.

### 11. INSPECTION, TESTS AND MAINTENANCE

Refer to respective requirements, according to the relevant standards for Inspection, Testing and Maintenance. Refer to NFPA 25 for Inspection, Testing and Maintenance requirements.

If applicable, refer to FM Global Property Loss Prevention Datasheet 4-12 for specific test and commissioning criteria. In addition, the "Authority Having Jurisdiction" (AHJ) may have additional maintenance, testing and inspection requirements that must be followed.

### WARNING

Any system maintenance or testing that involves placing a control valve or detection system out of service may eliminate the fire protection capabilities of that system. Prior to proceeding, notify all Authorities Having Jurisdiction. Consideration should be given to employment of a fire patrol in the affected areas.

### 12. DISPOSAL



At end of use the product described here should be disposed of via the national recycling system.

### 13. ACCESSORIES AND SPARE PARTS

Please refer to relevant sprinkler data page.



## TECHNICAL DATA

## APPROVED SPRINKLERS FOR USE WITH FOAM CONCENTRATES

The Viking Corporation, 210 N Industrial Park Drive, Hastings MI 49058  
 Telephone: 269-945-9501 Technical Services: 877-384-5464 Fax: 269-818-1680 Email: techsvcs@vikingcorp.com  
 Visit the Viking website for the latest edition of this technical data page www.vikinggroupinc.com

### TABLE 1

FM APPROVALS: HYDROCARBONS <sup>1</sup>														
VIKING Foam Concentrate	Nominal K-factor		Sprinkler Identification Number (SIN)		Height				Listed <sup>2</sup> Foam Design Density		Water Discharge Density		Tested <sup>3</sup> Sprinkler Pressure	
					Minimum		Maximum							
	U.S.	Metric <sup>4</sup>	Upright	Pendent	Ft.	m	Ft.	m	gpm/ft <sup>2</sup>	Lpm/m <sup>2</sup>	gpm/ft <sup>2</sup>	Lpm/m <sup>2</sup>	PSI	bar
ARK 3%	5.6	80.6	VK1001 VK3001	--	6	1.8	24.8	7.6	0.3	12.2	0.3	12.2	29	1.99
	5.6	80.6	--	VK1021 VK3021	6	1.8	20	6.1	0.3	12.2	0.3	12.2	29	1.99
	8.0	115.2	VK200 VK204 VK350 VK351	--	9	2.7	45	13.7	0.4	16.3	0.4	16.3	25	1.72
	8.0	115.2	--	VK2021 VK2022 VK3521 VK3522	8.5	2.6	44	13.4	0.3	12.2	0.3	12.2	14	0.97
	11.2	161.3	VK530 VK531	--	9	2.7	45	14	0.4	16.3	0.4	16.3	13	0.89
	11.2	161.3	--	VK377 VK536	6	1.8	25.2	8	0.4	16.3	0.4	16.3	13	0.89
USP 3%	5.6	80.6	VK1001 VK3001	--	6	1.8	24.8	7.6	0.2	8.1	0.3	12.2	13	0.89
	5.6	80.6	--	VK1021 VK3021	6	1.8	44	13.4	0.2	8.1	0.3	12.2	13	0.89
	8.0	115.2	VK200 VK204 VK350 VK351	--	9	2.7	45	13.7	0.3	12.2	0.3	12.2	14	0.96
	8.0	115.2	--	VK2021 VK3521 VK3522 VK2022	8	2.4	44	13.4	0.3	12.2	0.3	12.2	14	0.96
	11.2	161.3	--	VK377 VK536	6	1.8	25.2	8	0.3	12.2	0.3	12.2	7	0.48

1. This table shows approvals available at the time of printing.  
 2. Density indicated is minimum application density required per FM5130 Standard for Foam Extinguishing Systems. This density cannot be reduced.  
 3. The pressure indicated is the minimum starting pressure required for the sprinkler. However, the minimum density shown overrides the minimum starting pressure (depending on head spacing) and cannot be reduced.  
 4. Metric K-factor shown is for use when pressure is measured in bar. When pressure is measured in kPa, divide the metric K-factor shown by 10.0.



## TECHNICAL DATA

## APPROVED SPRINKLERS FOR USE WITH FOAM CONCENTRATES

The Viking Corporation, 210 N Industrial Park Drive, Hastings MI 49058  
 Telephone: 269-945-9501 Technical Services: 877-384-5464 Fax: 269-818-1680 Email: techsvcs@vikingcorp.com  
 Visit the Viking website for the latest edition of this technical data page www.vikinggroupinc.com

### TABLE 2

#### FM APPROVALS: JET A1<sup>1</sup>

VIKING Foam Concentrate	Nominal K-factor		Sprinkler Identification Number (SIN)		Height				Listed <sup>2</sup> Foam Design Density		Water Discharge Density		Tested <sup>3</sup> Sprinkler Pressure	
					Minimum		Maximum							
	U.S.	Metric <sup>4</sup>	Upright	Pendent	Ft.	m	Ft.	m	gpm/ft <sup>2</sup>	Lpm/m <sup>2</sup>	gpm/ft <sup>2</sup>	Lpm/m <sup>2</sup>	PSI	bar
USP 3%	5.6	80.6	--	VK1021, VK3021	8.5	2.6	44	13.4	0.2	8.1	0.3	12.2	13	0.89

- This table shows approvals available at the time of printing.
- Density indicated is minimum application density required per FM5130 Standard for Foam Extinguishing Systems. This density cannot be reduced.
- The pressure indicated is the minimum starting pressure required for the sprinkler. However, the minimum density shown overrides the minimum starting pressure (depending on head spacing) and cannot be reduced.
- Metric K-factor shown is for use when pressure is measured in bar. When pressure is measured in kPa, divide the metric K-factor shown by 10.0.

### TABLE 3

#### FM APPROVALS: ALCOHOL - IPA<sup>1</sup>

VIKING Foam Concentrate	Nominal K-factor		Sprinkler Identification Number (SIN)		Height				Listed <sup>2</sup> Foam Design Density		Tested <sup>3</sup> Sprinkler Pressure	
					Minimum		Maximum					
	U.S.	Metric <sup>4</sup>	Upright	Pendent	Ft.	m	Ft.	m	gpm/ft <sup>2</sup>	Lpm/m <sup>2</sup>	PSI	bar
ARK 3%	5.6	80.6	VK1001 VK3001	--	6	1.8	24.8	7.6	0.3	12.2	29	1.99
	5.6	80.6	--	VK1021 VK3021	6	1.8	24	7.3	0.3	12.2	29	1.99
	8.0	115.2	VK200 VK204 VK350 VK351	--	6.5	2	45	13.7	0.4	16.3	25	1.7
	8.0	115.2	--	VK2021 VK2022 VK3521 VK3522	6	1.8	44	13.4	0.3	12.2	14	0.97
	11.2	161.3	--	VK377 VK536	6	1.8	44	13.4	0.4	16.3	13	0.89
	11.2	161.3	VK530 VK531	--	6	1.8	45	13.7	0.4	16.3	13	0.89

- This table shows approvals available at the time of printing.
- Density indicated is minimum application density required per FM5130 Standard for Foam Extinguishing Systems. This density cannot be reduced.
- The pressure indicated is the minimum starting pressure required for the sprinkler. However, the minimum density shown overrides the minimum starting pressure (depending on head spacing) and cannot be reduced.
- Metric K-factor shown is for use when pressure is measured in bar. When pressure is measured in kPa, divide the metric K-factor shown by 10.0.





## TECHNICAL DATA

## APPROVED SPRINKLERS FOR USE WITH FOAM CONCENTRATES

The Viking Corporation, 210 N Industrial Park Drive, Hastings MI 49058  
 Telephone: 269-945-9501 Technical Services: 877-384-5464 Fax: 269-818-1680 Email: techsvcs@vikingcorp.com  
 Visit the Viking website for the latest edition of this technical data page www.vikinggroupinc.com

### TABLE 4

#### FM APPROVALS: KETONE - ACETONE<sup>1</sup>

VIKING Foam Concentrate	Nominal K-factor		Sprinkler Identification Number (SIN)		Height				Listed <sup>2</sup> Foam Design Density		Tested <sup>3</sup> Sprinkler Pressure	
					Minimum		Maximum					
	U.S.	Metric <sup>4</sup>	Upright	Pendent	Ft.	m	Ft.	m	gpm/ft <sup>2</sup>	Lpm/m <sup>2</sup>	PSI	bar
ARK 3%	5.6	80.6	VK1001 VK3001	--	6	1.8	24.8	7.6	0.3	12.2	29	1.99
	5.6	80.6	--	VK1021 VK3021	6	1.8	24	7.3	0.3	12.2	29	1.99
	8.0	115.2	VK200 VK204 VK350 VK351	--	6.5	2	45	13.7	0.3	12.2	14	0.97
	8.0	115.2	--	VK2021 VK2022 VK3521 VK3522	6	1.8	44	13.4	0.3	12.2	14	0.97
	11.2	161.3	VK530 VK531	--	6	1.8	45	13.7	0.3	12.2	7	0.48
	11.2	161.3	--	VK377 VK536	6	1.8	25.2	8	0.3	12.2	7	0.48

- This table shows approvals available at the time of printing.
- Density indicated is minimum application density required per FM5130 Standard for Foam Extinguishing Systems. This density cannot be reduced.
- The pressure indicated is the minimum starting pressure required for the sprinkler. However, the minimum density shown overrides the minimum starting pressure (depending on head spacing) and cannot be reduced.
- Metric K-factor shown is for use when pressure is measured in bar. When pressure is measured in kPa, divide the metric K-factor shown by 10.0.

### TABLE 5

#### FM APPROVALS: ETHANOL<sup>1</sup>

VIKING Foam Concentrate	Nominal K-factor		Sprinkler Identification Number (SIN)		Height				Listed <sup>2</sup> Foam Design Density		Tested <sup>3</sup> Sprinkler Pressure	
					Minimum		Maximum					
	U.S.	Metric <sup>4</sup>	Upright	Pendent	Ft.	m	Ft.	m	gpm/ft <sup>2</sup>	Lpm/m <sup>2</sup>	PSI	bar
ARK 3%	8.0	115.2	VK200 VK204 VK350 VK351	--	6.5	2	45	13.7	0.3	12.2	14	0.97
	8.0	115.2	--	VK2021 VK2022 VK3521 VK3522	6.0	1.8	44.8	13.7	0.30	12.2	14	0.97
	11.2	161.3	VK530 VK531	--	7.7	2.3	20.6	6.3	0.30	12.2	7	0.48
	11.2	161.3	--	VK377 VK536	6.0	1.8	44.8	13.7	0.30	12.2	7	0.48

- This table shows approvals available at the time of printing.
- Density indicated is minimum application density required per FM5130 Standard for Foam Extinguishing Systems. This density cannot be reduced.
- The pressure indicated is the minimum starting pressure required for the sprinkler. However, the minimum density shown overrides the minimum starting pressure (depending on head spacing) and cannot be reduced.
- Metric K-factor shown is for use when pressure is measured in bar. When pressure is measured in kPa, divide the metric K-factor shown by 10.0.



## TECHNICAL DATA

## APPROVED SPRINKLERS FOR USE WITH FOAM CONCENTRATES

The Viking Corporation, 210 N Industrial Park Drive, Hastings MI 49058  
 Telephone: 269-945-9501 Technical Services: 877-384-5464 Fax: 269-818-1680 Email: techsvcs@vikingcorp.com  
 Visit the Viking website for the latest edition of this technical data page [www.vikinggroupinc.com](http://www.vikinggroupinc.com)

### TABLE 6

UL LISTINGS: HYDROCARBON FUELS <sup>1</sup>								
VIKING Foam Concentrate	Nominal K-factor		Sprinkler Identification Number (SIN)		Listed <sup>2</sup> Foam Design Density		Tested <sup>3</sup> Sprinkler Pressure	
	U.S.	Metric <sup>4</sup>	Upright	Pendent	gpm/ft <sup>2</sup>	Lpm/m <sup>2</sup>	PSI	bar
USP <sup>5</sup> 3%	5.6		--	VK3021	0.22	9.0	7	0.48
	8.0	115.2	--	VK2021 VK2022 VK3521 VK3522	0.22	9.0	7	0.48
	11.2	161.3	VK530 VK531 VK533	VK377 VK536	0.32	13	7	0.48

1. This table shows approvals available at the time of printing.  
 2. Density indicated is minimum application density required per FM5130 Standard for Foam Extinguishing Systems. This density cannot be reduced.  
 3. The pressure indicated is the minimum starting pressure required for the sprinkler. However, the minimum density shown overrides the minimum starting pressure (depending on head spacing) and cannot be reduced.  
 4. Metric K-factor shown is for use when pressure is measured in bar. When pressure is measured in kPa, divide the metric K-factor shown by 10.0.  
 5. For fresh water use only.

**Features**

- One or two switch models available
- Independent switch adjustment on two switch models, no tools needed
- Two 1/2" conduit/cable entrances
- Separate isolated wiring chambers
- Non-corrosive pressure connection
- VdS version available
- Non-Conductive enclosure



**NOTICE**

This document contains important information on the installation and operation of PS10 pressure switches. Please read all instructions carefully before beginning installation. A copy of this document is required by NFPA 72 to be maintained on site.



**Installation**

The Potter PS10 Series Pressure Actuated Switches are designed for the detection of a waterflow condition in automatic fire sprinkler systems of particular designs such as wet pipe systems with alarm check valves, dry pipe, preaction, or deluge valves. The PS10 is also suitable to provide a low pressure supervisory signal; adjustable between 4 and 15 psi (0,27 and 1,03 bar).

1. Apply Teflon tape to the threaded male connection on the device. (Do not use pipe dope)
2. Device should be mounted in the upright position (threaded connection down).
3. Tighten the device using a wrench on the flats on the device.

**Wiring Instructions**

1. Remove the tamper resistant screw with the special key provided.
2. Carefully place a screwdriver on the edge of the knockout and sharply apply a force sufficient to dislodge the knockout plug. See Fig 9.
3. Run wires through an approved conduit connector and affix the connector to the device. NEMA 4 rated conduit and fittings are required for outdoor use.
4. Connect the wires to the appropriate terminal connections for the service intended. See Figures 2,4,5, and 6. See Fig. 7 for two switch, one conduit wiring.

**Technical Specifications**

Conduit Entrances	Two knockouts for 1/2" conduit provided. Individual switch compartments and ground screw suitable for dissimilar voltages
Contact Ratings	SPDT (Form C) 10.1 Amps at 125/250VAC, 2.0 Amps at 30VDC One SPDT in PS10-1, Two SPDT in PS10-2
Cover Tamper	Cover incorporates tamper resistant fastener that requires a special key for removal. One key is supplied with each device.
Differential	2 psi (0,13 bar) typical
Dimensions	3.78"(9,6cm)Wx3.20"(8,1cm)Dx4.22"(10,7cm)H
Enclosure	Cover: Weather/UV/Flame Resistant High Impact Composite Base: Die Cast All parts have corrosion resistant finishes
Environmental Limitations	-40° F to 140° F (-40°C to 60°C) NEMA 4/IP66 Rated Enclosure indoor or outdoor when used with NEMA 4 conduit fittings
Factory Adjustment	4 - 8 psi (0,27 - 0,55 bar)
Maximum System Pressure	300 psi (20,68 bar)
Pressure Connection	Nylon 1/2" NPT male
Pressure Range	4-15 psi (0,27 - 1,03 bar)
Service Use	NFPA 13, 13D, 13R, 72

\*Specifications subject to change without notice.

## Testing and Adjustment

**NOTE:** Testing the PS10 may activate other system connected devices. The operation of the pressure alarm switch should be tested upon completion of installation and periodically thereafter in accordance with the applicable NFPA codes and standards and/or the authority having jurisdiction (manufacturer recommends quarterly or more frequently). There should be no need to adjust the PS10 when it is used as a pressure type waterflow indicator. It is factory set to comply with UL and FM standards.

## Wet System

**Method 1:** When using PS10 and control unit with retard - connect PS10 into alarm port piping on the input side of retard chamber and electrically connect PS10 to control unit that provides a retard to compensate for surges. Insure that no unsupervised shut-off valves are present between the alarm check valve and PS10.

**Method 2:** When using the PS10 for local bell application or with a control that does not provide a retard feature - the PS10 must be installed on the alarm outlet side of the retard chamber of the sprinkler system.

**Testing:** Accomplished by opening the inspector's end-of-line test valve. Allow time to compensate for system or control retard.

**NOTE:** Method 2 is not applicable for remote station service use, if there is an unsupervised shut-off valve between the alarm check valve and the PS10.

## Wet System With Excess Pressure

Connect PS10 into alarm port piping extending from alarm check valve. Retard provisions are not required. Insure that no unsupervised shut-off valves are present between the alarm check valve and the PS10.

**Testing:** Accomplished by opening the water by-pass test valve or the inspector's end-of-line test valve. When using end-of-line test, allow time for excess pressure to bleed off.

## Dry System

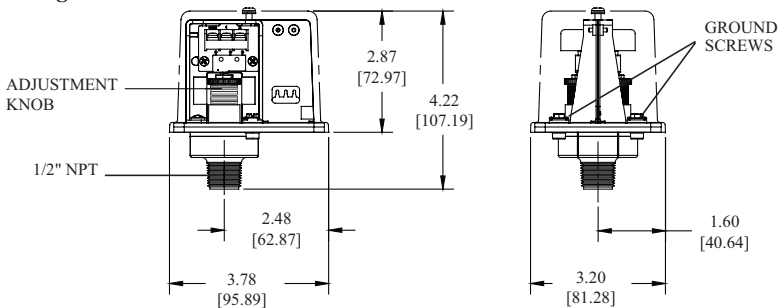
Connect PS10 into alarm port piping that extends from the intermediate chamber of the alarm check valve. Install on the outlet side of the in-line check valve of the alarm port piping. Insure that no unsupervised shut-off valves are present between the alarm check valve and the PS10.

**Testing:** Accomplished by opening the water by-pass test valve.

**NOTE:** The above tests may also activate any other circuit closer or water motor gongs that are present on the system.

## Dimensions

Fig 1

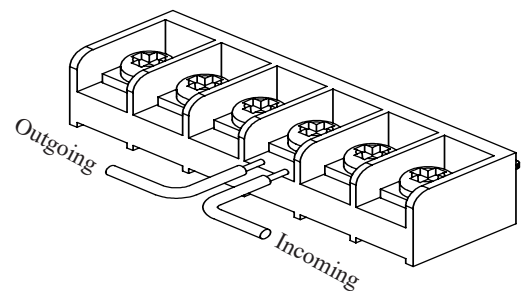


NOTE: To prevent leakage, apply Teflon tape sealant to male threads only.

DWG# 930-1

## Switch Clamping Plate Terminal

Fig 2

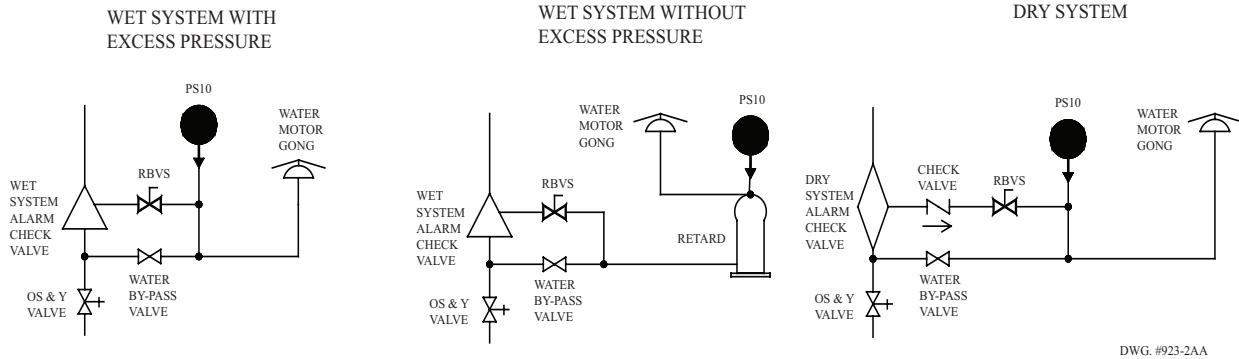


### **WARNING**

An uninsulated section of a single conductor should not be looped around the terminal and serve as two separate connections. The wire must be severed, thereby providing supervision of the connection in the event that the wire becomes dislodged from under the terminal.

**Typical Sprinkler Applications**

Fig 3

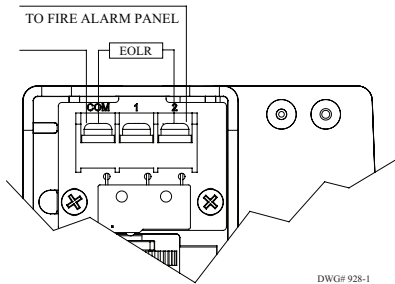


**CAUTION**

Closing of any shutoff valves between the alarm check valve and the PS10 will render the PS10 inoperative. To comply with NFPA-72 any such valve shall be electrically supervised with a supervisory switch such as Potter Model RBVS.

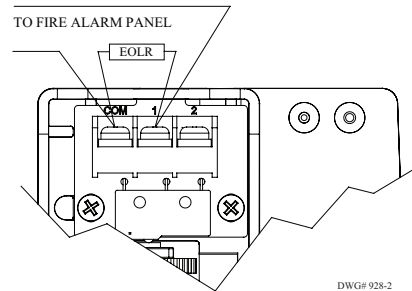
**Low Pressure Signal Connection**

Fig 4



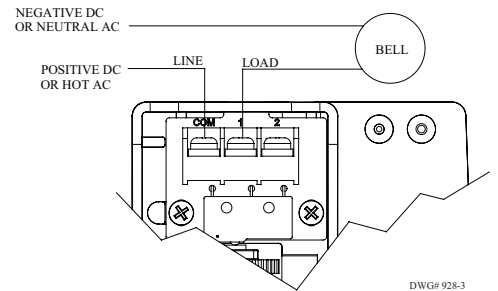
**Waterflow Signal Connection**

Fig 5



**Local Bell For Waterflow Connection**

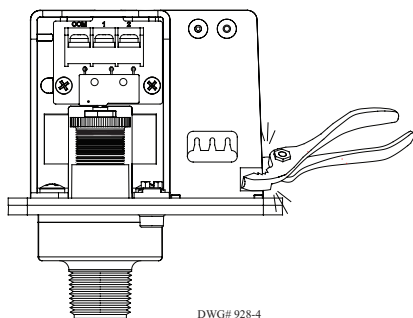
Fig 6



**One Conduit Wiring**

Fig 7

Break out thin section of divider to provide path for wires when wiring both switches from one conduit entrance.

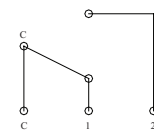


**Switch Operation**

Fig 8

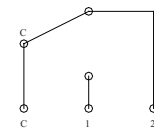
Terminal  
C: Common  
1: Closed when installed under normal system pressure.  
2: Open when installed under normal system pressure. Closes on pressure drop. Use for low pressure supervision.

W/ PRESSURE APPLIED



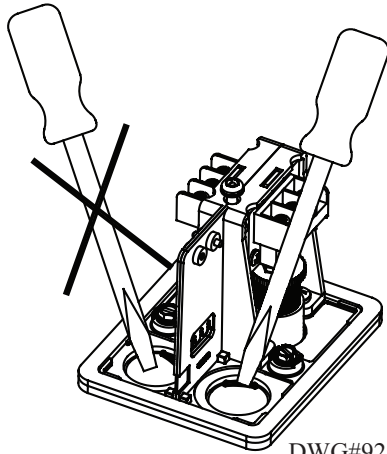
Terminal  
1: Open with no pressure supplied. Closes upon detection of pressure. Use for waterflow indication.  
2: Closed with no pressure applied.

W/O PRESSURE APPLIED



**Removing Knockouts**

Fig 9



DWG#928-5

**Engineer/Architect Specifications  
Pressure Type Waterflow Switch**

Pressure type waterflow switches; shall be a Model PS10 as manufactured by Potter Electric Signal Company, St Louis MO., and shall be installed on the fire sprinkler system as shown and or specified herein.

Switches shall be provided with a 1/2" NPT male pressure connection and shall be connected to the alarm port outlet of; Wet Pipe Alarm Valves, Dry Pipe Valves, Pre-Action Valves, or Deluge Valves. The pressure switch shall be actuated when the alarm line pressure reaches 4 - 8 psi (0,27 - 0,55 bar).

Pressure type waterflow switches shall have a maximum service pressure rating of 300 psi (20,68 bar) and shall be factory adjusted to operate on a pressure increase of 4 - 8 psi (0,27 - 0,55 bar)

Pressure switch shall have one or two form C contacts, switch contact rating 10.1 Amps at 125/250 VAC, 2.0 Amps at 30 VDC.

Pressure type waterflow switches shall have two conduit entrances one for each individual switch compartment to facilitate the use of dissimilar voltages for each individual switch.

The cover of the pressure type waterflow switch shall be Weather/UV/Flame Resistant High Impact Composite with rain lip and shall attach with one tamper resistant screw. The Pressure type waterflow switch shall be suitable for indoor or outdoor service with a NEMA 4/IP66 rating.

The pressure type waterflow switch shall be UL ULc and CSFM listed, FM and LPC approved and NYMEA accepted.

**WARNING**

- Installation must be performed by qualified personnel and in accordance with all national and local codes and ordinances.
- Shock hazard. Disconnect power source before servicing. Serious injury or death could result.
- Read all instructions carefully and understand them before starting installation. Save instructions for future use. Failure to read and understand instructions could result in improper operation of device resulting in serious injury or death.
- Risk of explosion. Not for use is hazardous locations. Serious injury or death could result.

**CAUTION**

- Do not tighten by grasping the switch enclosure. Use wrenching flats on the bushing only. Failure to install properly could damage the switch and cause improper operation resulting in damage to equipment and property.
- To seal threads, apply Teflon tape to male threads only. Using joint compounds or cement can obstruct the pressure port inlet and result in improper device operation and damage to equipment.
- Do not over tighten the device, standard piping practices apply.

**Ordering Information**

Model	Description	Part Number
PS10-1	Pressure switch with one set SPDT contacts	1340103
PS10-2	Pressure switch with two sets SPDT contacts	1340104
Hex Key		5250062
Cover Tamper Switch Kit		0090200

**Tamper**

Cover incorporates tamper resistant fastener that requires a special key for removal. One key is supplied with each device. For optional cover tamper switch kit, order Stock No. 0090200. See bulletin #5401200 PSCTSK.

**NOTICE**

Pressure switches have a normal service life of 10-15 years. However, the service life may be significantly reduced by local environmental conditions.



## TECHNICAL DATA

### DELUGE VALVE, MODEL F-1 STRAIGHT THROUGH STYLE 2-1/2" (DN65) - 8" (DN200)

The Viking Corporation, 210 N Industrial Park Drive, Hastings MI 49058

Telephone: 269-945-9501 Technical Services: 877-384-5464 Fax: 269-818-1680 Email: techsvcs@vikingcorp.com

Visit the Viking website for the latest edition of this technical data page.

### 1. DESCRIPTION

The Viking Model F-1 Deluge Valve is a quick opening, differential diaphragm and flood valve with one moving mechanism. The Deluge Valve is used to control water flow in Deluge and Preaction sprinkler systems. The valve is held closed by system water pressure trapped in the priming chamber; keeping the outlet chamber and system piping dry. In fire conditions, when the releasing system operates, pressure is released from the priming chamber. The Deluge Valve clapper opens to allow water to flow into the system piping.

#### Features:

1. Field replaceable Diaphragm and Seat Rubbers
2. Designed for installation in the horizontal or vertical position
3. Designed to be reset without opening the valve
4. Compatible with Hydraulic, Pneumatic and/or Electric Release Systems



**NOTE: FOR PART NUMBERS OF ACCESSORIES, REFER TO VIKING LIST PRICE SCHEDULE.**

### 2. LISTINGS AND APPROVALS:

U.L. Listed - Guide No. VLFT & VLJH

C-UL Listed

FM Approved - Deluge Sprinkler Systems, Preaction Sprinkler Systems, Refrigerated Area Sprinkler Systems

American Bureau of Shipping (ABS) - Certificate No. 15-HS1332725-PDA

NYC Department of Buildings - MEA 89-92-E Vol XXXI

CE - Pressure Equipment Directive 97/23/EC



**WARNING:** Cancer and Reproductive Harm-  
[www.P65Warnings.ca.gov](http://www.P65Warnings.ca.gov)

### 3. TECHNICAL DATA

#### Specifications:

Maximum Working Water Pressure: 250 PSI (17.4 bar)

Style: Straight through

Connections: See Table 1.

Factory tested: to 500 psi (34.5 bar)

Valve differential: 2:1 (priming chamber to inlet chamber)

Priming chamber supply restriction (required): 0.0625" (1.6 mm)

Color of Valve: Red

Friction loss: Refer to Table 1.

Cv Factor: Refer to Table 1.

#### Material Standards:

Refer to Figure 2.

#### Ordering Information:

Part Numbers - Refer to Table 1

8" - Manufactured since 2002

4" & 6" - Manufactured since 2003

2-1/2" & 3" - Manufactured since 2004

#### ACCESSORIES:

Refer to Current VIKING PRICE LIST for Part Numbers.

1. A Conventional Trim package for use with the Model F-1 Deluge Valve. The trim package includes the VALVE ACCESSORY PACKAGE and the fittings and nipples shown on the Viking Deluge Valve Conventional Trim Chart for the valve used. Trim Charts are provided in trim packages and the Viking website. For optional factory assembled "modular" trim packages, refer to the Viking list price schedule or contact the manufacturer.
2. A Deluge VALVE ACCESSORY PACKAGE includes required trim components. This package is needed when Viking Trim Packages are not used.
3. Auxiliary Components are required for specific valve functions. For complete operating trim requirements, refer to system data for the system used. System data is provided on the Viking website.

Additional accessories are available and may be required for system operation or supervision. Refer to the system description and technical data for complete operating trim requirements for the system used.



# TECHNICAL DATA

## DELUGE VALVE, MODEL F-1 STRAIGHT THROUGH STYLE 2-1/2" (DN65) - 8" (DN200)

The Viking Corporation, 210 N Industrial Park Drive, Hastings MI 49058

Telephone: 269-945-9501 Technical Services: 877-384-5464 Fax: 269-818-1680 Email: techsvcs@vikingcorp.com

Visit the Viking website for the latest edition of this technical data page.

DESCRIPTION	Nominal Size	Part Number	Friction Loss*	Cv Factor	Shipping Weight
<b>Threaded</b>					
Pipe O.D. NPT 65 mm	2½"	12401	12 ft. (3.6 m)	155	67 lbs. (30 kg)
<b>Flange/Flange</b>					
<b>Flange Drilling</b>					
ANSI	3"	12014	12 ft. (3.6 m)	155	82 lbs. (37 kg)
ANSI	4"	11953	21 ft. (6.5 m)	428	146 lbs. (66 kg)
ANSI	6"	11955	39 ft. (11.9 m)	839	271 lbs. (123 kg)
ANSI	8"	11991	57 ft. (17.4 m)	1577	466 lbs. (212 kg)
ANSI/Japan	6"	11964	39 ft. (11.9 m)	839	271 lbs. (123 kg)
PN10/16	DN80	12026	12 ft. (3.6 m)	155	82 lbs. (37 kg)
PN10/16	DN100	11965	21 ft. (6.5 m)	428	127 lbs. (58 kg)
PN10/16	DN150	11956	39 ft. (11.9 m)	839	271 lbs. (123 kg)
PN10	DN200	11995	57 ft. (17.4 m)	1577	418 lbs. (190 kg)
PN16	DN200	11999	57 ft. (17.4 m)	1577	466 lbs. (212 kg)
<b>Flange/Groove</b>					
<b>Flange Drilling / Pipe O.D.</b>					
ANSI / 89 mm	3"	12018	12 ft. (3.6 m)	155	75 lbs. (34 kg)
ANSI / 114 mm	4"	11952	21 ft. (6.5 m)	428	136 lbs. (62 kg)
ANSI / 168 mm	6"	11954	39 ft. (11.9 m)	839	261 lbs. (118 kg)
PN10/16 / 89 mm	DN80	12030	12 ft. (3.6 m)	155	75 lbs. (34 kg)
PN10/16 / 114 mm	DN100	11958	21 ft. (6.5 m)	428	136 lbs. (62 kg)
PN10/16 / 165 mm	DN150	12640	39 ft. (11.9 m)	839	261 lbs. (118 kg)
PN10/16 / 168 mm	DN150	11954	39 ft. (11.9 m)	839	261 lbs. (118 kg)
<b>Groove/Groove</b>					
<b>Pipe O.D.</b>					
73 mm	2½" / DN65	12403	12 ft. (3.6 m)	155	67 lbs. (30 kg)
76 mm	DN80	12729	12 ft. (3.6 m)	155	67 lbs. (30 kg)
89 mm	3" / DN80	12022	12 ft. (3.6 m)	155	64 lbs. (29 kg)
114 mm	4" / DN100	11513	21 ft. (6.5 m)	428	127 lbs. (58 kg)
165 mm	DN150	11910	39 ft. (11.9 m)	839	245 lbs. (111 kg)
168 mm	6" / DN150	11524	39 ft. (11.9 m)	839	245 lbs. (111 kg)
219 mm	8" / DN200	11018	57 ft. (17.4 m)	1577	403 lbs. (183 kg)

\*Expressed in equivalent length of Schedule 40 pipe based on Hazen & Williams C=120

$$Q = C_v \sqrt{\frac{\Delta P}{S}}$$

Q= Flow

Cv= Flow Factor (GPM/1 PSI ΔP)

ΔP= Pressure Loss through Valve

S= Specific Gravity of Fluid

**Table 1 - Valve  
Part Numbers and  
Specifications**

#### 4. INSTALLATION (Refer to Figure 1 identification of trim components.)

##### A. General Instruction

- Viking Straight Through Deluge Valves may be installed in the horizontal or vertical position.
- The valve must be installed in an area not subject to freezing temperatures or physical damage.
- The valve must be trimmed according to current Viking Trim Charts and appropriate instructions for the system used. Trim Charts are printed in the *Viking Engineering and Design Data* book, and are provided with trim packages.
  - Remove all plastic protectors from the openings of the Deluge Valve.
  - Apply a small amount of pipe joint compound or tape to the external threads of all pipe connections required. Take care not to allow any compound, tape, or other foreign matter inside any of the nipples or openings of the valve or trim components.
  - Viking Model F-1 Deluge Valve Conventional Trim Charts are provided with Trim Packages and in the *Viking Engineering and Design Data* book.
  - Verify that all system components are rated for the water working pressure of the system.

##### Hydrostatic Test:

The Model F-1 Deluge Valve is manufactured and listed for use at a maximum Water Working Pressure of 250 PSI (17.2 bar). The valve is factory tested at 500 PSI (34.5 bar). Model F-1 Deluge Valves may be hydrostatically tested at 300 PSI (20.7 bar) and/or 50 PSI (3.4 bar) above the normal Water Working Pressure, for limited periods of time (two hours), for the purpose of acceptance by the Authority Having Jurisdiction. If air testing is required, do not exceed 60-PSI (4.1 bar) air pressure.

**NOTE: NEVER CONDUCT THE HYDROSTATIC TEST AGAINST THE PRESSURE OPERATED RELIEF VALVE. (P.O.R.V.) TEMPORARILY REMOVE THE P.O.R.V. FROM THE TRIM AND PLUG TRIM OPENINGS WHILE CONDUCTING THE HYDROSTATIC TEST.**

**TRIM NOTE: DISCHARGE PIPING FROM THE AUXILIARY DRAIN VALVE, THE FLOW TEST VALVE, AND ALL SYSTEM DRAINS SHOULD BE KEPT SEPARATE. DO NOT CONNECT THE OUTLET OF THE DRIP CHECK TO ANY OTHER DRAIN.**

- The priming line must be connected upstream of the system water supply main control valve or to a constant source of water at a pressure equal to the system water supply.





## TECHNICAL DATA

**DELUGE VALVE, MODEL F-1  
STRAIGHT THROUGH STYLE**  
2-1/2" (DN65) - 8" (DN200)

The Viking Corporation, 210 N Industrial Park Drive, Hastings MI 49058

Telephone: 269-945-9501 Technical Services: 877-384-5464 Fax: 269-818-1680 Email: techsvcs@vikingcorp.com

Visit the Viking website for the latest edition of this technical data page.

5. After the Deluge Valve is set, operation of the Deluge Valve requires the release of priming water from the priming chamber. This may be by automatic or manual operation of the release system. Viking Deluge Valves are compatible with hydraulic, pneumatic, and electric release systems. For specific Trim arrangements refer to Trim Charts and System Data describing the system being installed. Trim Charts are printed in the *Viking Engineering and Design Data* book, and are provided with trim packages. System Data sheets are printed in the *Viking Engineering and Design Data* book.
  - a. Hydraulic Release Systems: See Figures 3-6 for the maximum allowable elevation of hydraulic release piping above the Deluge Valve. If the maximum height of hydraulic release piping exceeds the limit shown in Figures 3-6 for the valve used, use a Pneumatic or Electric Release System.
  - b. Pneumatic Release Systems: A Viking Pneumatic Actuator is required between the release system connection provided on deluge valve trim and pneumatic release system piping.
  - c. Electric Release Systems: Solenoid Valves, System Control Panels, and Electrical Detectors must be compatible. Consult appropriate listing and/or approval guides.

**NOTE: FOR OPERATION AT WATER PRESSURES IN EXCESS OF 175 PSI (12.1 BAR), A 250 PSI (17.2 BAR) RATED SOLENOID VALVE MUST BE USED. REFER TO APPROPRIATE VIKING TECHNICAL DATA PAGE FOR TYPE OF SYSTEM USED.**

### ▲ CAUTION

**Operation of Viking Deluge Valves by pressurizing the priming chamber with air pressure or any other pressurized gas is not recommended or approved.**

### B. Placing the Valve in Service

For Deluge Valves equipped with Conventional Deluge Valve Trim, follow steps 1 through 10 (and 11 & 12 if applicable) below.

1. Verify:
  - a. The system Main Water Supply Control Valve (D.1) is closed and the Deluge Valve is trimmed according to current Viking Trim Charts and schematic drawings for the system used.
  - b. The system has been properly drained.
  - c. Auxiliary Drain (B.13) is open.
  - d. The Emergency Release (B.9) is closed.
  - e. The system water supply piping is pressurized up to the closed Main Water Supply Control Valve (D.1) and the priming line is pressurized up to the closed Priming Valve (B.1).
2. For Systems equipped with:
  - a. Hydraulic Release Systems:
    - i. Verify that all releasing devices are set and that any Inspector's Test Valve and/or auxiliary drain valves are closed.
    - ii. Open Priming Valve (B.1). Allow the hydraulic release system to fill. When priming pressure gauge (B.7) indicates that the release piping and priming chamber pressure is equal to system supply pressure, proceed to step 3.
    - iii. Proceed to step 3.
  - b. Pneumatic Release Systems:
    - i. Set the release system.
    - ii. Open Priming Valve (B.1).
    - iii. Proceed to step 3.
  - c. Electric Release Systems:
    - i. Open Priming Valve (B.1).
    - ii. Set the electric release system.
    - iii. Proceed to step 3.
3. Open Flow Test Valve (B.11).
4. Partially open Main Water Supply Control Valve (D.1).
5. When full flow develops from the Flow Test Valve (B.11), close the Flow Test Valve. Verify that there is no flow from the open Auxiliary Drain (B.13).
6. Close Auxiliary Drain (B.13).
7. Fully open and secure the Main Water Supply Control Valve (D.1).
8. Verify that the Alarm Shut-off Valve (B.6) is open and that all other valves are in their normal\*\* operating position.
9. Depress the plunger of Drip Check (B.14). No water should flow from the Drip Check when the plunger is pushed.
10. Check for, and repair all leaks.
11. On new installations, those systems that have been placed out of service, or where new equipment has been installed, trip test the system to verify that all equipment functions properly. Refer to INSPECTION, TESTS AND MAINTENANCE paragraph 6-II-C: ANNUAL Trip Test instructions.

### ▲ CAUTION

**Performing a trip test results in operation of the Deluge Valve. Water will flow into the sprinkler piping. Take necessary precautions to prevent damage.**



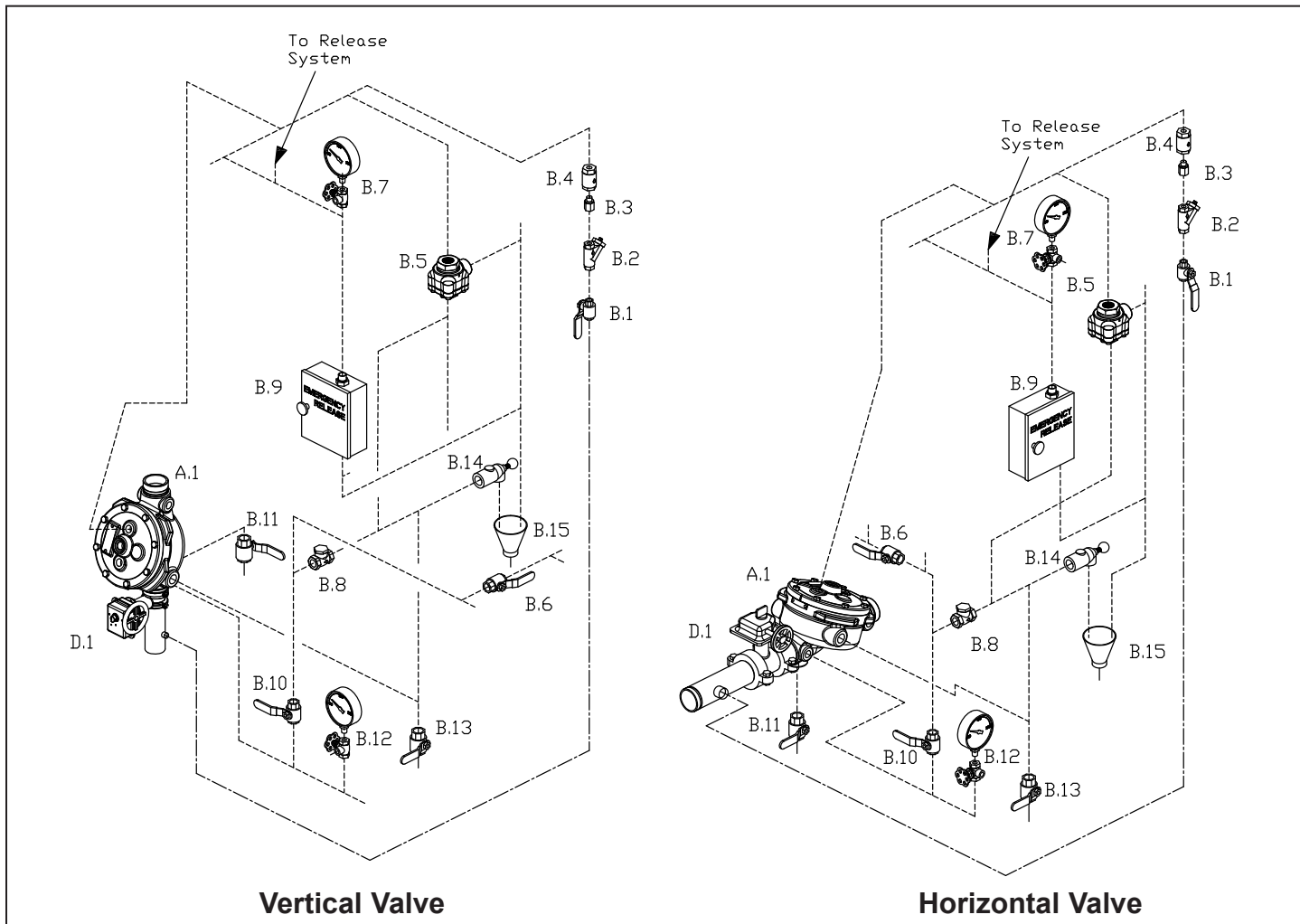
# TECHNICAL DATA

## DELUGE VALVE, MODEL F-1 STRAIGHT THROUGH STYLE 2-1/2" (DN65) - 8" (DN200)

The Viking Corporation, 210 N Industrial Park Drive, Hastings MI 49058

Telephone: 269-945-9501 Technical Services: 877-384-5464 Fax: 269-818-1680 Email: techsvcs@vikingcorp.com

Visit the Viking website for the latest edition of this technical data page.



--- Dashed lines indicate nipples and fittings included with trim.  
 - - - Phantom lines indicate piping required, but not included with trim.

**Figure 1 - Conventional Trim Components**

A.1	Deluge Valve	B.9	Emergency Release
B.1	Priming Valve (Normally Open)	B.10	Alarm Test Valve (Normally Closed)
B.2	Strainer	B.11	Flow Test Valve (Normally Closed)
B.3	1/16" Restricted Orifice	B.12	Water Supply Pressure Water Gauge and Valve
B.4	Spring Loaded Check Valve	B.13	Auxiliary Drain Valve (Normally Closed)
B.5	Pressure Operated Relief Valve (PORV)	B.14	Drip Check Valve
B.6	Alarm Shut Off Valve (Normally Open)	B.15	Drain Cup
B.7	Priming Pressure Water Gauge and Valve	D.1	Water Supply Control Valve
B.8	Drain Check Valve		



## TECHNICAL DATA

**DELUGE VALVE, MODEL F-1  
STRAIGHT THROUGH STYLE**  
2-1/2" (DN65) - 8" (DN200)

The Viking Corporation, 210 N Industrial Park Drive, Hastings MI 49058

Telephone: 269-945-9501 Technical Services: 877-384-5464 Fax: 269-818-1680 Email: techsvcs@vikingcorp.com

Visit the Viking website for the latest edition of this technical data page.

After completing a trip test, perform SEMI-ANNUAL maintenance.

### C. Valve Removed From Service

**NOTE: WHEN A VALVE HAS BEEN REMOVED FROM SERVICE AND IS SUBJECT TO FREEZING OR WILL BE OUT OF SERVICE FOR AN EXTENDED PERIOD OF TIME, ALL WATER MUST BE REMOVED FROM THE PRIMING CHAMBER, TRIM PIPING, WATER SUPPLY PIPING AND OTHER TRAPPED AREAS.**

## 5. OPERATION (Refer to Figure 2.)

The Viking Model F-1 Deluge Valve has an inlet chamber, an outlet chamber and a priming chamber. The inlet chamber and outlet chamber are separated from the priming chamber by the clapper (5) and diaphragm (6).

### In the set condition:

System pressure is supplied to the priming chamber through a restricted priming line (trim) equipped with a check valve. System water supply pressure trapped in the priming chamber holds the clapper (5) on seat (2) due to area differential design. Clapper (5) separates the inlet chamber from the outlet chamber, keeping the outlet chamber and system piping dry.

### In fire conditions:

When the release system operates, pressure is released from the priming chamber faster than it is supplied through the restricted priming line. Water supply pressure in the inlet chamber forces the clapper (5) off from seat (2), allowing water to flow through the outlet and into the system and alarm devices.

### For Deluge Valves equipped with Conventional Trim:

When the deluge valve operates, the air side of the PORV loses pressure, causing the PORV to operate. When the PORV operates, it continually vents the priming chamber to prevent the deluge valve from resetting even if the open releasing devices close. The deluge valve can only be reset after the system is taken out of service, and the outlet chamber of the deluge valve and associated trim piping is depressurized and drained.

## 6. INSPECTIONS, TESTS AND MAINTENANCE

### I. Inspection

It is imperative that the system is inspected and tested on a regular basis. The frequency of the inspections may vary due to contaminated water supplies, corrosive water supplies or corrosive atmospheres. Also, the alarm devices, detection systems or other connected trim may require a more frequent schedule. For minimum maintenance and inspection requirements, refer to NFPA 25. In addition, the Authority Having Jurisdiction may have additional maintenance, testing, and inspection requirements that must be followed. The following recommendations are minimum requirements. (For additional information, refer to Viking Trim Charts and System Data describing systems with the release system used.)

#### A. Weekly:

Weekly visual inspection of the Viking Deluge Valve is recommended.

1. Verify that the Main Water Supply Control Valve (D.1) is open and that all other valves are in their normal\*\* operating position and appropriately secured.
2. Check for signs of mechanical damage, leakage, and/or corrosive activity. If detected, perform maintenance as required. If necessary, replace the device.
3. Verify that the valve and trim are adequately heated and protected from freezing and physical damage.

### II. Tests

#### A. Quarterly Water Flow Alarm Test

1. Notify the Authority Having Jurisdiction and those in the area affected by the test.
2. To test the local electric alarm (if provided) and/or mechanical water motor alarm (if provided), OPEN the alarm test valve (B.10) in the deluge valve trim.
  - a. Electric alarm pressure switches (if provided) should activate.
  - b. Electric local alarms should be audible.
  - c. The local water motor gong should be audible.
  - d. If equipped with remote station alarm signaling devices, verify that alarm signals were received.
3. When testing is complete, CLOSE the alarm test valve (B.10).
4. Verify:
  - a. All local alarms stop sounding and alarm panels (if provided) reset.
  - b. All remote station alarms reset.
  - c. Supply piping to water motor alarm properly drains.
5. Verify that the alarm shut-off valve (B.6) is OPEN, and the alarm test valve (B.10) is CLOSED.
6. Verify that the outlet chamber is free of water. No water should flow from the drip check (B.14) when the plunger is pushed.
7. Notify the Authority Having Jurisdiction and those in the affected area that testing is complete.



## TECHNICAL DATA

**DELUGE VALVE, MODEL F-1  
STRAIGHT THROUGH STYLE**  
2-1/2" (DN65) - 8" (DN200)

The Viking Corporation, 210 N Industrial Park Drive, Hastings MI 49058

Telephone: 269-945-9501 Technical Services: 877-384-5464 Fax: 269-818-1680 Email: techsvcs@vikingcorp.com

Visit the Viking website for the latest edition of this technical data page.

### B. Quarterly Main Drain Test

1. Notify the Authority Having Jurisdiction and those in the area affected by the test.
2. Record pressure reading from the water supply pressure gauge (B.12).
3. Verify that the outlet chamber of the deluge valve is free of water. No water should flow from the drip check (B.7) when the plunger is pushed.
4. Fully OPEN the flow test valve (B.11).
5. When a full flow is developed from the flow test valve (B.11), record the residual pressure from the water supply pressure gauge (B.12).
6. When the test is complete, SLOWLY CLOSE the flow test valve (B.11).
7. Compare test results with previous flow information. If deterioration of the water supply is detected, take appropriate steps to restore adequate water supply.
8. Verify:
  - a. Normal water supply pressure has been restored to the inlet chamber, the priming chamber, and the release system. The pressure on the priming chamber water pressure gauge should equal the system water supply pressure.
  - b. All alarm devices, and valves are secured in normal\*\* operating position.
9. Notify the Authority Having Jurisdiction that the test is complete. Record and/or provide notification of test results as required by the Authority Having Jurisdiction.

\*\* For normal operating position, refer to Figure 1 and/or Trim Charts and System Data for the system used.

### C. Annual Trip Test:

#### ▲ CAUTION

Performing this test results in operation of the Deluge Valve. Water will flow into the sprinkler piping and from any open sprinklers and/or nozzles. Take necessary precautions to prevent damage.

1. Notify the Authority Having Jurisdiction and those in the area affected by the test.
2. Fully open the flow test valve (B.11) to flush away any accumulation of foreign material.
3. Close the flow test valve (B.11).
4. Trip the system by operating the release system. Allow a full flow to pass through the deluge valve. Water flow alarms should operate.
5. When test is complete:
  - a. Close the main water supply control valve (D.1).
  - b. Close the priming valve (B.1).
  - c. Open the auxiliary drain valve (B.13).
  - d. Open all system main drains and auxiliary drains. Allow the system to drain completely.
6. Perform SEMI-ANNUAL maintenance. Refer to paragraph 6.III.B SEMI-ANNUAL MAINTENANCE.
7. Place the system in service. Refer to Item 4.B, INSTALLATION: PLACING THE VALVE IN SERVICE.

**NOTE: DELUGE VALVES SUPPLIED BY BRACKISH WATER, SALT WATER, FOAM, FOAM/WATER SOLUTION, OR ANY OTHER CORROSIVE WATER SUPPLY, SHOULD BE FLUSHED WITH GOOD QUALITY FRESH WATER BEFORE BEING RETURNED TO SERVICE.**

8. Notify the Authority Having Jurisdiction that the test is complete. Record and/or provide notification of test results as required by the Authority Having Jurisdiction.

### III. Maintenance

#### NOTICE

The owner is responsible for maintaining the fire protection system and devices in proper operating condition. The Deluge Valve must be kept from freezing conditions and physical damage that could impair its operation.

#### ▲ WARNING

Any system maintenance which involves placing a control valve or detection system out of service may eliminate the Fire Protection capabilities of that system. Prior to proceeding, notify all Authorities Having Jurisdiction. Consideration should be given to employment of a Fire Patrol in the affected areas.

Where difficulty in performance is experienced, the valve manufacturer or authorized representative shall be contacted if any field adjustment is to be made.

#### A. After Each Operation:

1. Sprinkler systems that have been subjected to a fire must be returned to service as soon as possible. The entire system must be inspected for damage, and repaired or replaced as necessary.
2. Deluge Valves and trim that have been subjected to brackish water, salt water, foam, foam/water solution, or any other corrosive water supply should be flushed with good quality fresh water before being returned to service.
3. Perform SEMI-ANNUAL maintenance after every operation.



## TECHNICAL DATA

**DELUGE VALVE, MODEL F-1  
STRAIGHT THROUGH STYLE**  
2-1/2" (DN65) - 8" (DN200)

The Viking Corporation, 210 N Industrial Park Drive, Hastings MI 49058

Telephone: 269-945-9501 Technical Services: 877-384-5464 Fax: 269-818-1680 Email: techsvcs@vikingcorp.com

Visit the Viking website for the latest edition of this technical data page.

### B. Semi-Annual Maintenance:

1. Remove the system from service. (Refer to Deluge or Preaction System Data that describes systems with the release system used for additional information.)
  - a. Close the Main Water Supply Control Valve (D.1) and Priming Valve (B.1).
  - b. Open the Auxiliary Drain Valve (B.13).
  - c. Relieve pressure in the priming chamber by opening the Emergency Release Valve (B.9).
4. Inspect all trim for signs of corrosion and/or blockage. Clean and/or replace as required.
5. Clean and/or replace all strainer screens (including B.2).
6. Refer to Item 4-B, INSTALLATION: PLACING THE VALVE IN SERVICE.

### C. Every Fifth Year

1. Internal inspection of Deluge Valves is recommended every five years unless inspections and tests indicate more frequent internal inspections are required. Refer to DISASSEMBLY instructions provided below.
2. Internal inspection of strainers and restricted orifices is recommended every five years unless inspections and tests indicate more frequent internal inspections are required.
3. Record and provide notification of inspection results as required by the Authority Having Jurisdiction.

### D. Valve Disassembly (Refer to Figure 2)

1. Remove the valve from service (see the release system description and Technical Data for additional information). Close the main control valve and open the main drain valve. Release the pressure in the priming chamber by opening the Emergency Release Valve.
2. Remove trim as required to allow removal of cover (4).
3. Remove screws (9).
4. Lift cover (4) from body (1).
5. Remove clapper assembly (No. 3, 5, 6, 7, 9, 10, 11) by lifting it from the body (1).
6. Inspect seat (2). If replacement is necessary, remove screws (12). Remove old seat (2) and o-ring (13). Replace with new seat (2) and o-ring (13). Replace screws (12).
7. To replace the diaphragm rubber (6), remove the circle of screws (10). Remove the clamp ring (3) and remove the diaphragm rubber (6).
8. To replace the seat rubber assembly (7), clapper assembly (3, 5, 6, 7, 9, 10, 11) must be removed from the valve. Remove the circle of screws (12). Seat rubber assembly (7) can be removed.

**NOTE: PRIOR TO INSTALLING A NEW CLAPPER RUBBER (6) OR SEAT RUBBER ASSEMBLY (7), MAKE CERTAIN THAT ALL SURFACES ARE CLEAN AND FREE OF FOREIGN MATTER. THE PLATED SEAT (2) MUST BE SMOOTH AND FREE OF NICKS, BURRS OR INDENTATIONS.**

### E. Valve Reassembly

1. Prior to reassembly, flush the valve of all foreign matter.
2. To reassemble, reverse disassembly procedure.

## 7. AVAILABILITY

The Viking Model F-1 Deluge Valve is available through a network of domestic and international distributors. See the Viking Corp. Web site for closest distributor or contact The Viking Corporation.

## 8. GUARANTEES

For details of warranty, refer to Viking's current list price schedule or contact Viking directly.



# TECHNICAL DATA

## DELUGE VALVE, MODEL F-1 STRAIGHT THROUGH STYLE 2-1/2" (DN65) - 8" (DN200)

The Viking Corporation, 210 N Industrial Park Drive, Hastings MI 49058

Telephone: 269-945-9501 Technical Services: 877-384-5464 Fax: 269-818-1680 Email: techsvcs@vikingcorp.com

Visit the Viking website for the latest edition of this technical data page.

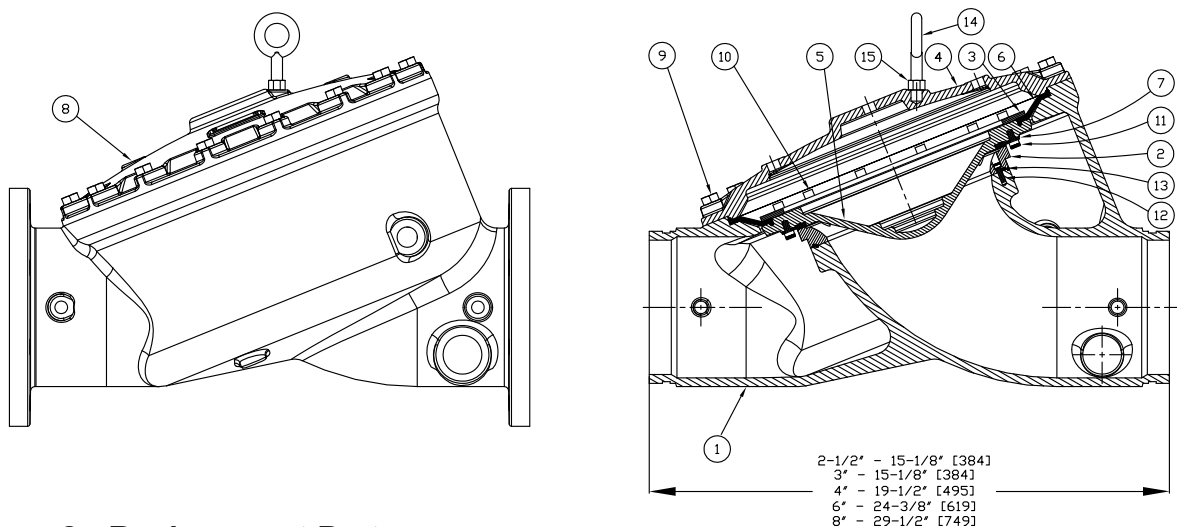


Figure 2 - Replacement Parts

ITEM NO.	PART NUMBER				DESCRIPTION	MATERIAL	NO. REQ'D.			
	2-1/2" (DN65) & 3" (DN80)	4" (DN100)	6" (DN150)	8" (DN200)			2-1/2" (DN65) & 3" (DN80)	4" (DN100)	6" (DN150)	8" (DN200)
1	--	--	--	--	Body	Ductile Iron	1	1	1	1
2	*	*	*	*	Seat	Brass	1	1	1	1
3	02493B	02378B	05704B	10514	Ring Clamp, Upper Diaphragm	Brass Casting	1	1	1	1
4	--	--	--	--	Cover	Ductile Iron 65-45-12	1	1	1	1
5	08846N	08844N	08570N	10518N/B	Clapper	Ductile Iron 65-45-12, PTFE Powder Coated	1	1	1	1
6	12012	11560	11561	10510	Upper Diaphragm	EPDM - ASTM D-2000	1	1	1	1
7	02497B	02382B	02176B	10512	Rubber Seat Assembly	EPDM - ASTM D-2000	1	1	1	1
8	--	--	--	--	Data Plate	Aluminum Etched	1	1	1	1
9	02169A				Screw, H.H.C. <sup>1</sup> , 1/2-13 x 1-1/4 (32)	Steel, SAE-Grade 5, ASTM A449	10			
		02200A			Screw, H.H.C. <sup>1</sup> , 1/2-13 x 1 1/2 (38)	Steel, SAE-Grade 5, ASTM A307-90		12		
			05707A	05707A	Screw, H.H.C. <sup>1</sup> , 5/8-11 x 1 3/4 (44)	Steel, SAE Grade 5, ASTM A307-90			15	16
10	02496A				Screw, R.H. <sup>3</sup> , 10-24 x 3/8 (9.5)	Stainless Steel UNS-S30200	6			
		02383A			Screw, H.H.C. <sup>1</sup> , 5/16-18 x 1/2 (13)	Stainless Steel UNS-S30400		8		
			07932		Screw, H.H.C. <sup>1</sup> , 3/8-16 x 1/2 (13)	Stainless Steel UNS-S30400			12	
				11022	Screw, S.H.C. <sup>2</sup> , 3/8-16 x 3/4 (19.1)	Stainless Steel UNS-S31600				12
11	02494A				Screw, R.H. <sup>3</sup> , 10-24 x 1/2 (12.7)	Stainless Steel UNS-S30200	6			
		02383A			Screw, H.H.C. <sup>1</sup> , 5/16-18 x 1/2 (13)	Stainless Steel UNS-S30400		6		
			02454A		Screw, H.H.C. <sup>1</sup> , 3/8-16 x 5/8 (16)	Stainless Steel UNS-S30400			12	
12				11021	Screw, S.H.C. <sup>2</sup> , 3/8-16 x 1/2 (12.7)	Stainless Steel UNS-S30400				12
	*				Screw, R.H. <sup>3</sup> , 10-24 x 5/8 (16)	Stainless Steel UNS-S30200	4			
		*			Screw, H.H.C. <sup>1</sup> , 5/16-18 x 1/2 (13)	Stainless Steel UNS-S30400		8		
13		*	*	*	Screw, S.H.C. <sup>2</sup> , 1/4-20 x 3/4 (19.1)	Stainless Steel UNS-S31600			8	6
	*	*	*	*	O-Ring	EPDM	1	1	1	1
14	--	--	--	11570	Eye Bolt, 5/8-11-UNC	Carbon Steel				1
15				F01256	Nut, 5/8-11-UNC	Stainless Steel				1

-- Indicates replacement part not available

\* Indicates part available only in sub-assembly listed below

### SUB-ASSEMBLY

2, 12, 13	14711-3	14711-4	14711-6	14711-8	Seat Replacement Kit*
3, 5-7, 9-11	13488	13490	13492	13484	Clapper Assembly Kit

\*Note: Includes o-ring lubricant to be added to ring groove in seat.

<sup>1</sup> Hex Head Cap Screw

<sup>2</sup> Socket Head Cap Screw, (8" Valve - #10 & 11 must be S.H.C. for clearance with seat)

<sup>3</sup> Round Head, Phillips Drive Screw



# TECHNICAL DATA

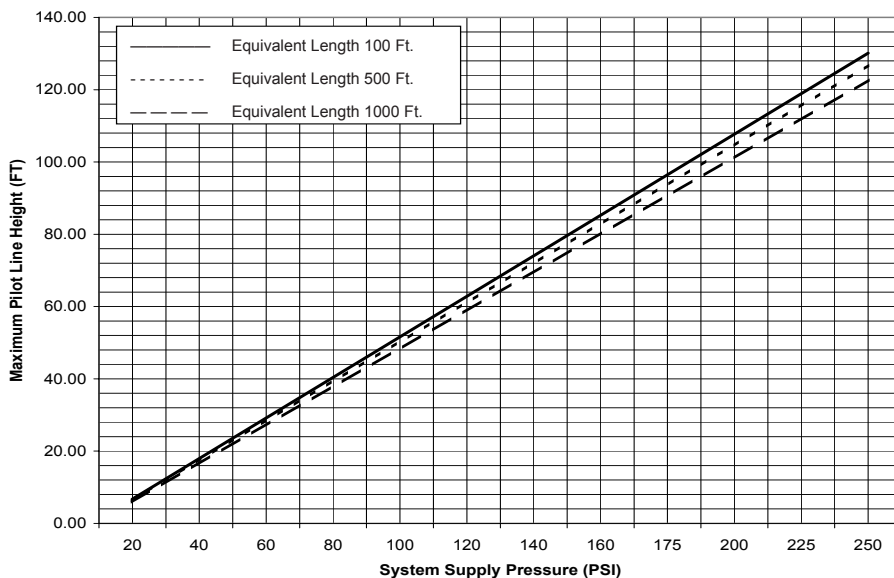
**DELUGE VALVE, MODEL F-1  
STRAIGHT THROUGH STYLE**  
2-1/2" (DN65) - 8" (DN200)

The Viking Corporation, 210 N Industrial Park Drive, Hastings MI 49058  
 Telephone: 269-945-9501 Technical Services: 877-384-5464 Fax: 269-818-1680 Email: techsvcs@vikingcorp.com  
 Visit the Viking website for the latest edition of this technical data page.

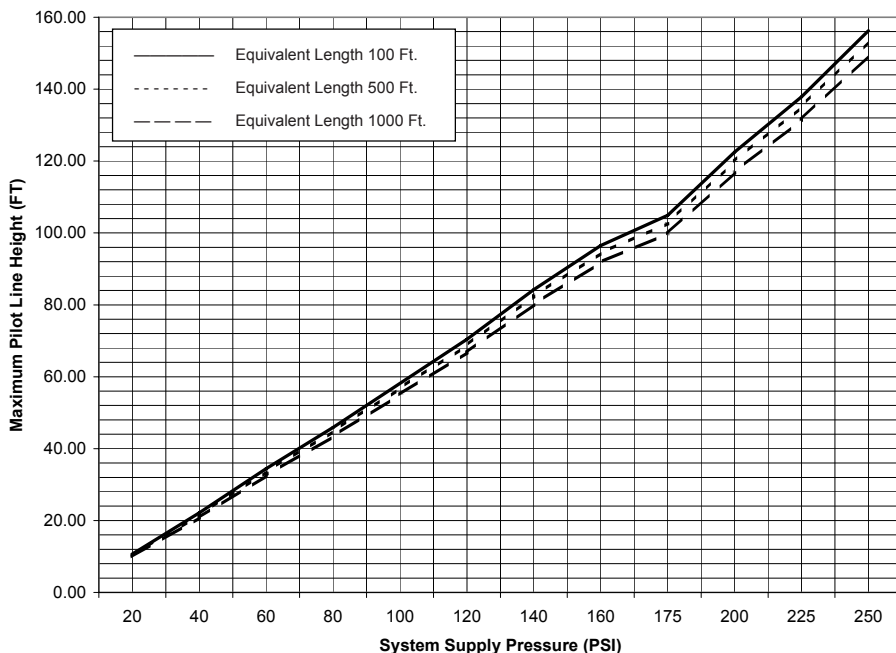
Maximum Allowable Pilot Heights for Select Equivalent Lengths of Hydraulic Release Piping.  
 For valves with 1/16" (1.6 mm) Restricted Orifice

Graphs are based on 1/2" (15 mm) pilot sprinklers installed on 1/2" (15 mm) Schedule 40 galvanized released piping.

If the maximum height of hydraulic release piping exceeds the limits shown on the graph, use pneumatic or electric release system



**Figure 3 - 2-1/2" (DN65) & 3" (DN80) Model F-1 Deluge Valves**



**Figure 4 - 4" (DN100) Model F-1 Deluge Valves**



# TECHNICAL DATA

**DELUGE VALVE, MODEL F-1  
STRAIGHT THROUGH STYLE**  
2-1/2" (DN65) - 8" (DN200)

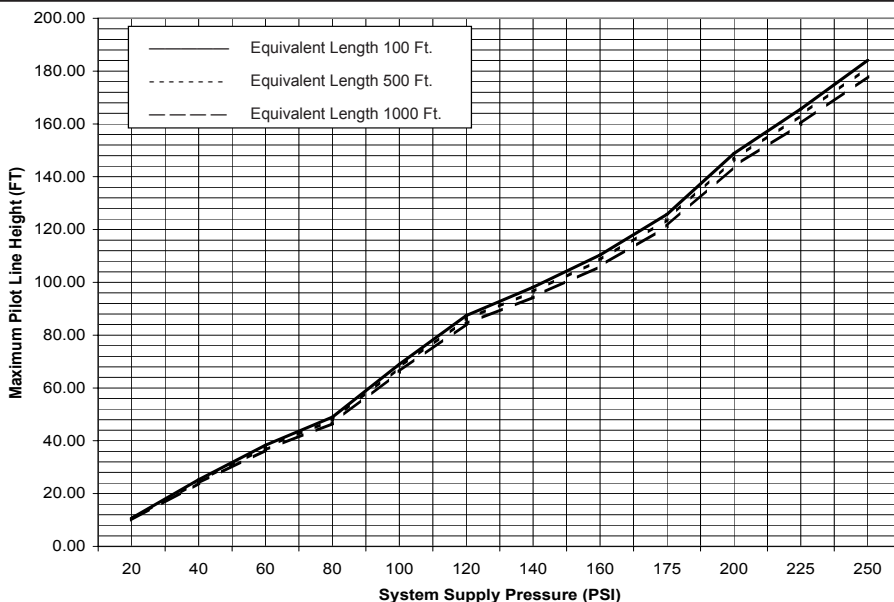
The Viking Corporation, 210 N Industrial Park Drive, Hastings MI 49058  
 Telephone: 269-945-9501 Technical Services: 877-384-5464 Fax: 269-818-1680 Email: techsvcs@vikingcorp.com  
 Visit the Viking website for the latest edition of this technical data page.

Maximum Allowable Pilot Heights for Select Equivalent Lengths of Hydraulic Release Piping.

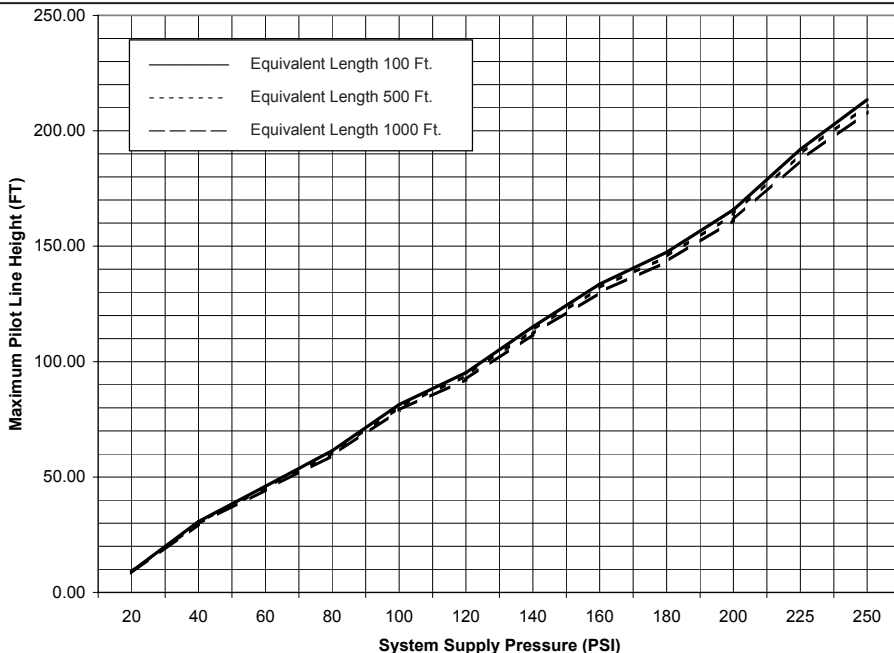
For valves with 1/16" (1.6 mm) Restricted Orifice

Graphs are based on 1/2" (15 mm) pilot sprinklers installed on 1/2" (15 mm) Schedule 40 galvanized released piping.

If the maximum height of hydraulic release piping exceeds the limits shown on the graph, use pneumatic or electric release system



**Figure 5 - 6" (DN150)  
Model F-1 Deluge Valves**



**Figure 6 - 8" (DN200)  
Model F-1 Deluge Valves**





## TECHNICAL DATA

### CONCENTRATE CONTROL VALVE APPLICATIONS, PRIMING CONNECTIONS, AND TRIMS

The Viking Corporation, 210 N Industrial Park Drive, Hastings MI 49058

Telephone: 269-945-9501 Technical Services: 877-384-5464 Fax: 269-818-1680 Email: techsvcs@vikingcorp.com

Visit the Viking website for the latest edition of this technical data page [www.vikinggroupinc.com](http://www.vikinggroupinc.com)

## 1. GENERAL DESCRIPTION

The Halar® Coated Concentrate Control Valve (CCV) is utilized in Viking foam systems as a positive shut-off valve for the foam concentrate supplied either from a bladder tank or a foam pump. The CCV valve opens automatically when there is a water flow in the sprinkler system. This allows concentrate to flow through the proportioning device to create foam solution.

### A. Standard Foam Deluge, Foam Preaction, and Foam Flow Control Systems (See Figure 4)

The CCV valve is a straight through Halar® coated deluge. The priming connection can be part of the riser control valve trim, (conventional deluge or flow control trim). When the priming connection to the CCV is located on the primary riser valve trim, the priming supply connection to the CCV is located prior to the release trim. The actual supply inlet to the CCV should be connected to an open connection port on the cover of the deluge or flow control valve. The 1/2" pipe plugs installed in the cover of the deluge or flow control valve may be removed and piping from the valve cover can be connected to the priming chamber of the CCV or an outlet can be created prior to the release device (solenoid or pneumatic actuator) on the valve trim. When the deluge or flow control valve activates, the priming water in the deluge or flow control valve and the CCV are released simultaneously allowing both valves to open. Priming water pressure will be drained through the deluge or flow control valve trim. The valves will remain open until the system is reset. Refer to design data pages for re-setting instructions.

### B. Wet Foam Systems (See Figure 3)

The CCV valve is a straight through Halar® coated deluge or flow control valve. Where the CCV is used in conjunction with a wet foam system a separate primary priming connection is required. The separate priming connection will consist of a 1/2" ball valve, 1/2" "Y" strainer, 1/8" restricted orifice, 1/2" spring loaded check valve, and Pressure Operated Relief Valve (PORV). The priming water supply to the CCV is taken upstream of the riser control valve. The priming supply feeds through the system to the priming chamber of the CCV. The sensing side of the PORV is connected to the alarm connection of the Alarm Valve. When water flow is present through the sprinkler riser, water flows from the alarm connection to the sensing side of the PORV, the PORV opens which drains the CCV priming chamber allowing it to open. Foam concentrate will discharge from the CCV to the proportioning device until water pressure is removed from the sensing side of the PORV. Note that the PORV 1/2" drain will operate when the system is activated. The PORV must be piped to an open drain.

## 2. LISTINGS AND APPROVALS

UL Listed - Deluge Valve EX2006

FM Approved - FM5130, 1020

LPCB

Refer to the individual technical data sheets for the components within the system.

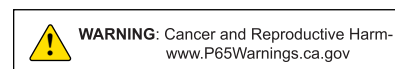
## 3. TECHNICAL DATA

### 3.1 Specifications:

Refer to individual component technical data pages for PORV, Pressure Switch, Solenoid Valve, and Deluge Valves.

### 3.2 Material Standards:

Refer to individual component technical data page.





# TECHNICAL DATA

## CONCENTRATE CONTROL VALVE APPLICATIONS, PRIMING CONNECTIONS, AND TRIMS

The Viking Corporation, 210 N Industrial Park Drive, Hastings MI 49058  
 Telephone: 269-945-9501 Technical Services: 877-384-5464 Fax: 269-818-1680 Email: techsvcs@vikingcorp.com  
 Visit the Viking website for the latest edition of this technical data page www.vikinggroupinc.com

### 3.3 Ordering Information:

**Table 3.3.1: Ordering Information**

HALAR® COATED CONCENTRATE CONTROL VALVES											TRIM KIT PART NUMBERS	
Valve Style	Valve Model	Deluge Part No.	Valve Size Nominal	Inlet Type	Outlet Type	Pipe O.D. Actual	Flange Drilling	Friction Loss*	Cv Factor	Shipping Weight	Galvanized & Brass	Brass only
Straight Through	F-2	12127Q/B	1½" (DN40)	Grooved	Grooved	1 <sup>29</sup> / <sub>32</sub> " (48.3 mm)	--	7 ft. (2.1 m)	66	36 lbs. (16.3 kg)	12848-1	12848-2
	F-2	12058Q/B	2" (DN50)	Grooved	Grooved	2 <sup>3</sup> / <sub>8</sub> " (60.3 mm)	--	13 ft. (3.9 m)	93	36.5 (16.5 kg)	12848-1	12848-2
	F-2	12404Q/B	2½" (DN65)	Grooved	Grooved	2 <sup>7</sup> / <sub>8</sub> " (73 mm)	--	12 ft. (3.6 m)	155	66 lbs. (30 kg)	12929-1	12929-2
	F-2	12730Q/B	DN65	Grooved	Grooved	76 mm	--	12 ft. (3.6 m)	155	66 lbs. (30 kg)		
	F-2	12015Q/B	3" (DN80)	Flanged	Flanged	3½" (88.9 mm)	ANSI B16.42 Class 150	12 ft. (3.6 m)	228	82 lbs. (37 kg)		
	F-2	12019Q/B	3" (DN80)	Flanged	Grooved	3½" (88.9 mm)	ANSI B16.42 Class 150	12 ft. (3.6 m)	228	73 lbs. (33.1 kg)		
	F-2	12023Q/B	3" (DN80)	Grooved	Grooved	88.9 mm		12 ft. (3.6 m)	228	64 lbs. (29 kg)		

\* Expressed in equivalent length of pipe based on Hazen & Williams Formula C=120.

## 4. INSTALLATION

Refer to specific technical data sheets, acceptable installation standards, codes and Authority Having Jurisdiction for additional installation, operation and maintenance instructions.

## 5. OPERATION

Refer to individual component technical data page.

## 6. INSPECTIONS, TESTS AND MAINTENANCE

### NOTICE

The owner is responsible for maintaining the fire protection system and devices in proper operating condition. For minimum maintenance and inspection requirements, refer to recognized standards such as those produced by NFPA, LPC, and VdS which describe care and maintenance of sprinkler systems. In addition, the Authority Having Jurisdiction may have additional maintenance, testing and inspection requirements which must be followed.

### ⚠ WARNING

Any system maintenance or testing that involves placing a control valve or detection system out of service may eliminate the fire protection of that system. Prior to proceeding, notify all Authorities Having Jurisdiction. Consideration should be given to employment of a fire patrol in the affected area.

It is imperative that the system is inspected and tested on a regular basis. The frequency of the inspections may vary due to contaminated or corrosive water supplies and corrosive atmospheres. In addition, the alarm devices or other connected equipment may require more frequent inspections. Refer to the technical data, system description, applicable codes and Authority Having



## TECHNICAL DATA

### CONCENTRATE CONTROL VALVE APPLICATIONS, PRIMING CONNECTIONS, AND TRIMS

The Viking Corporation, 210 N Industrial Park Drive, Hastings MI 49058

Telephone: 269-945-9501 Technical Services: 877-384-5464 Fax: 269-818-1680 Email: techsvcs@vikingcorp.com

Visit the Viking website for the latest edition of this technical data page [www.vikinggroupinc.com](http://www.vikinggroupinc.com)

Jurisdiction for minimum requirements.

## 7. AVAILABILITY

The product is available directly from Viking and official distributors only.

### Americas:

The Viking Corporation  
5150 Beltway SE  
Caledonia, MI 49316  
Tel.: (800) 968-9501  
Fax: 269-818-1680  
Technical Services: 1-877-384-5464  
[techsvcs@vikingcorp.com](mailto:techsvcs@vikingcorp.com)

### EU:

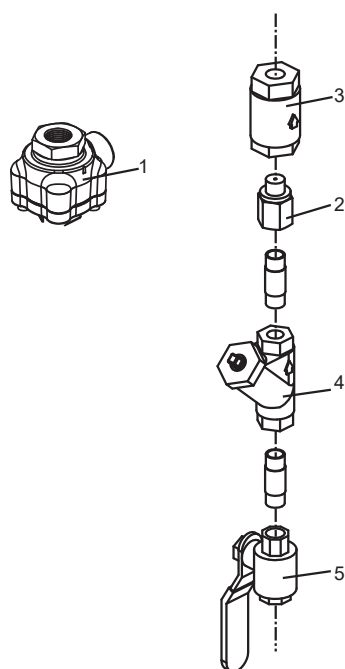
Viking S.A.  
21, Z.I. Haneboesch  
L-4562 Differdange / Nieder Korn  
Tel.: +352 58 37 37 - 1  
Fax: +352 58 37 36  
[vikinglux@viking-emea.com](mailto:vikinglux@viking-emea.com)

### Asia Pacific (APAC) Main Office:

The Viking Corporation (Far East) Pte. Ltd.  
69 Tuas View Square  
Westlink Techpark, Singapore 637621  
Tel: (+65) 6 278 4061  
Fax: (+65) 6 278 4609  
[vikingAPAC@vikingcorp.com](mailto:vikingAPAC@vikingcorp.com)

## 8. GUARANTEE

For details of warranty, refer to Viking's current list price schedule or contact Viking directly.



**Table 2: Priming Line Connection Package (PN 10985) Components**

REF.	DESCRIPTION
1	1/2" Pressure Operated Relief Valve (PORV)
2	1/8" Restricted Orifice
3	1/2" Swing Check Valve
4	1/2" Y-Strainer
5	1/2" Ball Valve

**Figure 1 - Priming Connection Package Components**

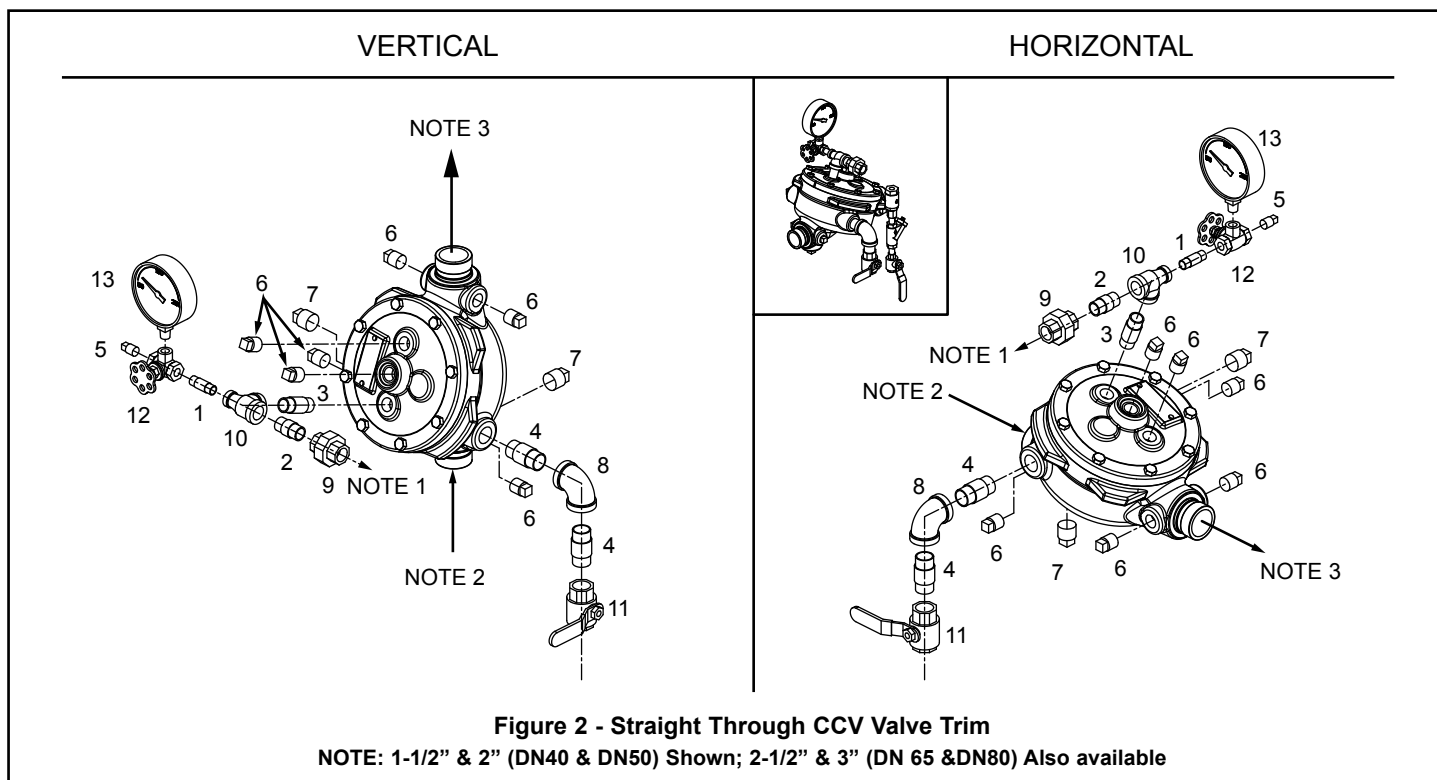
**NOTE:** All components shown here are included with the Priming Connection Package (PN 10985)



# TECHNICAL DATA

## CONCENTRATE CONTROL VALVE APPLICATIONS, PRIMING CONNECTIONS, AND TRIMS

The Viking Corporation, 210 N Industrial Park Drive, Hastings MI 49058  
 Telephone: 269-945-9501 Technical Services: 877-384-5464 Fax: 269-818-1680 Email: techsvcs@vikingcorp.com  
 Visit the Viking website for the latest edition of this technical data page www.vikinggroupinc.com



**Table 1: CCV and Trim Components and Material Identification**

REF.	SIZE (INCH)	DESCRIPTION	MATERIAL	
			G = Galvanized, B = Brass, ST = Stainless steel	
			On Galvanized Trim	On Brass Trim
1	1/4 X 1-1/2	NIPPLE	G	B
2	1/2 X 1-1/2	NIPPLE	G	B
3	1/2 X 2	NIPPLE	G	B
4	3/4 X 2	NIPPLE	B	B
5	1/4	PLUG	G	B
6	1/2	1/2 PLUG	ST	B
7	3/4	3/4 PLUG	B	B
8	3/4	3/4 ELBOW	B	B
9	1/2	1/2 UNION	G	B
10	1/2 X 1/4 X 1/2	TEE	G	B
11	3/4	SHUTOFF VALVE	-	-
12	1/4	SIDE OUTLET VALVE	-	-
13	1/4-	WATER GAUGE	-	-

Note 1: Field pipe to hydraulic release of system control valve or PORV as determined by system type.

Note 2: Foam concentrate inlet from bladder tank.

Note 3: To foam proportioner device.



# TECHNICAL DATA

## CONCENTRATE CONTROL VALVE APPLICATIONS, PRIMING CONNECTIONS, AND TRIMS

The Viking Corporation, 210 N Industrial Park Drive, Hastings MI 49058  
 Telephone: 269-945-9501 Technical Services: 877-384-5464 Fax: 269-818-1680 Email: techsvcs@vikingcorp.com  
 Visit the Viking website for the latest edition of this technical data page www.vikinggroupinc.com

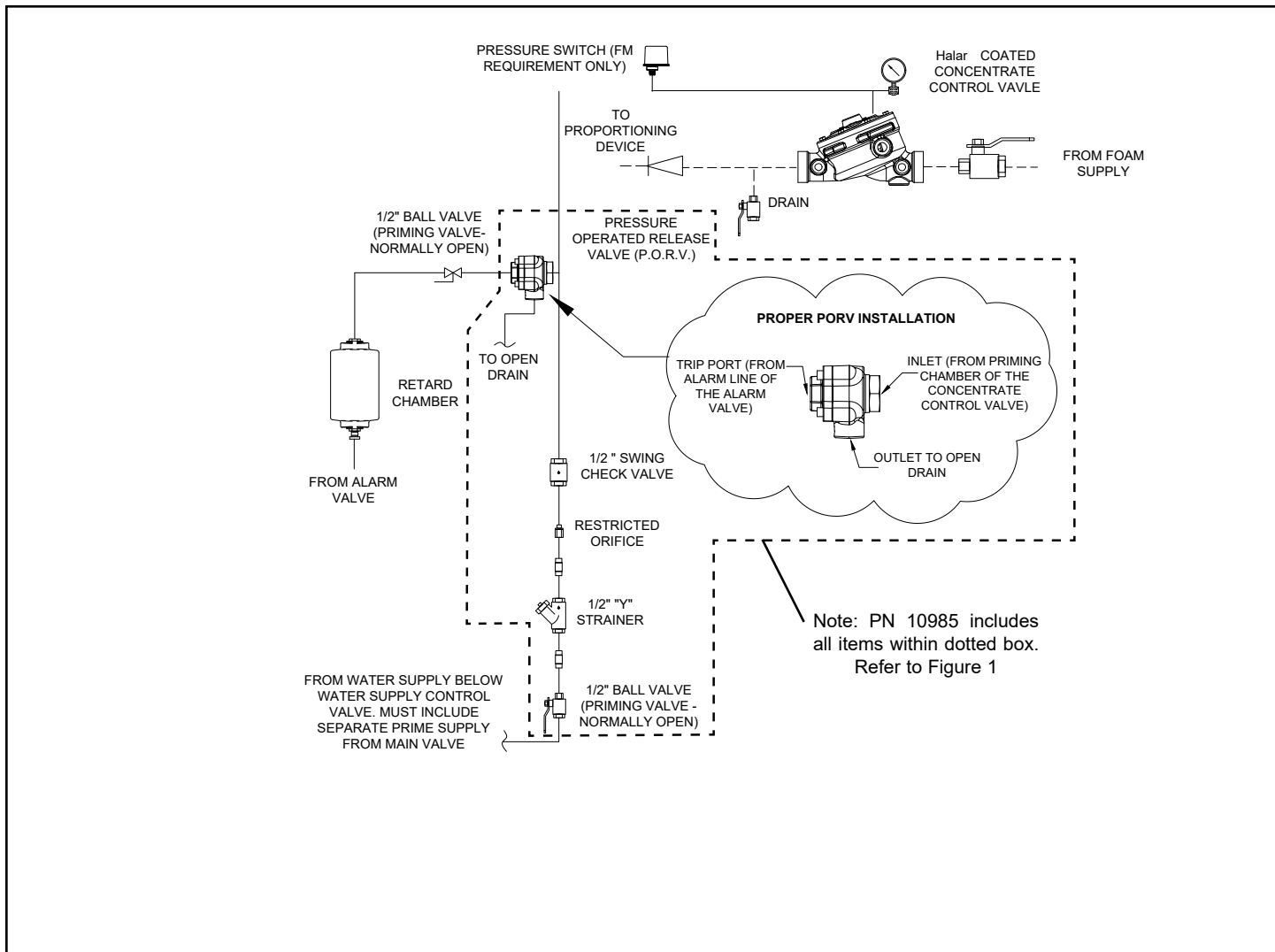


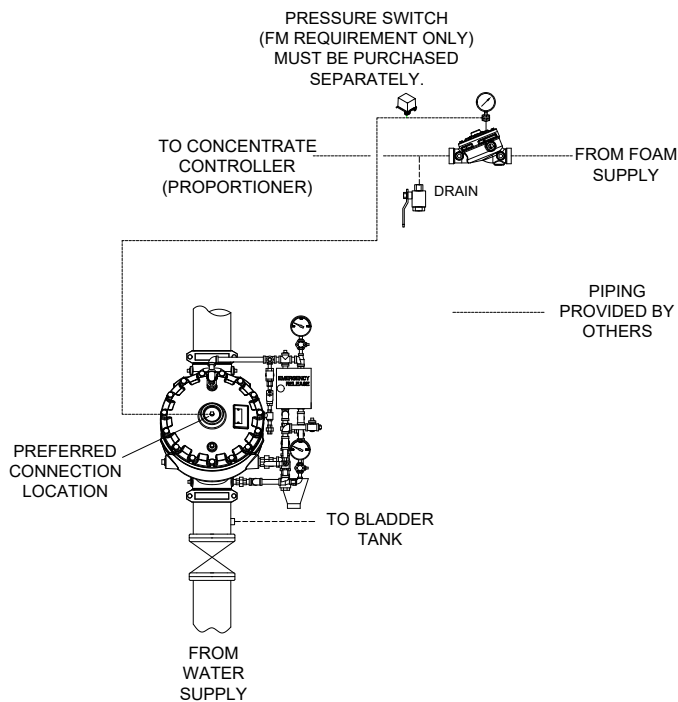
Figure 3 - Wet Pipe Foam Systems



# TECHNICAL DATA

## CONCENTRATE CONTROL VALVE APPLICATIONS, PRIMING CONNECTIONS, AND TRIMS

The Viking Corporation, 210 N Industrial Park Drive, Hastings MI 49058  
 Telephone: 269-945-9501 Technical Services: 877-384-5464 Fax: 269-818-1680 Email: techsvcs@vikingcorp.com  
 Visit the Viking website for the latest edition of this technical data page [www.vikinggroupinc.com](http://www.vikinggroupinc.com)



**Figure 4 - Deluge and Preaction Systems**



## TECHNICAL DATA

### SWING CHECK VALVE MODEL D-1 & G-1

The Viking Corporation, 210 N Industrial Park Drive, Hastings MI 49058

Telephone: 269-945-9501 Technical Services: 877-384-5464 Fax: 269-818-1680 Email: techsvcs@vikingcorp.com

#### 1. DESCRIPTION

The Viking Swing Check Valve is a general purpose rubber-faced check valve approved for use in fire protection systems. The Swing Check Valve is manufactured with a ductile iron body, brass seat, and a rubber-faced clapper assembly, hinged to a removable access cover for easy inspection and maintenance.

The valve may be installed vertically or horizontally with access cover facing up. For availability of flanged-flanged and grooved-grooved options, refer to Table 1. Tapped openings (with plugs) and gauge connections are provided on both the inlet and outlet chambers of the valve.

#### FEATURES

- A. Ductile iron body for less weight and extra strength.
- B. Rated to 300 psi (20.7 bar) water working pressure.
- C. Rubber-faced clapper hinged to access cover for quick removal and easy servicing. All moving parts can be serviced without removing the valve from the installed position.
- D. With the cover/clapper assembly removed, the clapper rubber replacement requires removal of only one screw.
- E. Can be installed vertically or horizontally with access cover facing up.



 **WARNING:** Cancer and Reproductive Harm-  
www.P65Warnings.ca.gov

#### 2. LISTINGS AND APPROVALS

**cULus Listed:** Guide No. HMER

**FM Approved:** Single Check Valves

**NYC Department of Buildings:** MEA 89-92-E, Vol. XI

#### 3. TECHNICAL DATA

##### Specifications:

Rated to 300 psi (20.7 bar) water working pressure.

Factory tested hydrostatically to 600 psi (41.4 bar).

Standard Flanged Connections: ANSI B16.42 Class 150 (mates with ANSI Class 125 and Class 150 flanges).

Standard Grooved Connections: ANSI/AWWA C606

Tapped Bosses: 2-1/2" (DN65), 3" (DN80) and 4" (DN100): Two 1/2" (15 mm) NPT  
6" (DN150) and 8" (DN200): Two 3/4" (20 mm) NPT

**Material Standards:** Refer to Figure 1.

**Ordering Information:** Refer to Table 1 for part numbers and shipping weight.

**Table 1**

Size Valve Nominal	Inlet Type	Outlet Type	Friction Loss*	Shipping Weight	Part No.
2-1/2" (DN65)	Groove	Groove	6 ft.(1.8 m)	16 lbs. (7 kg)	05497C
3" (DN80)	Goove	Groove	10 ft. (3.1 m)	20 lbs. (9 kg)	08536
4" (DN100)	Flange	Flange	13 ft. (4.0 m)	47 lbs. (21 kg)	08538
4" (DN100)	Groove	Groove	13 ft. (4.0 m)	27 lbs. (12 kg)	08539
6" (DN150)	Flange	Flange	20 ft. (6.0 m)	75 lbs. (34 kg)	08542
6" (DN150)	Groove	Groove	20 ft. (6.0 m)	51 lbs. (23 kg)	08543
8" (DN200)	Flange	Flange	23 ft. (7.0 m)	135 lbs. (61 kg)	08546
8" (DN200)	Groove	Groove	23 ft. (7.0 m)	106 lbs. (48 kg)	08547

\*Expressed in equivalent length of Schedule 40 pipe based on Hazen & Williams formula: C = 120.

Viking Technical Data may be found on The Viking Corporation's Web site at <http://www.vikinggroupinc.com>. The Web site may include a more recent edition of this Technical Data Page.

Systems with water working pressures above 175 psi (12 bar) may require extra-heavy pattern fittings. Viking Swing Check Valve flanges are Ductile Iron ANSI B16.42, Class 150, with a maximum water working pressure of 300 psi (20.7 bar). ANSI B16.42, Class 150 flanges are NOT compatible with ANSI Class 250 or Class 300 flanges. To mate the Viking Swing Check Valve with ANSI Class 250 or Class 300 flanges, use the grooved-inlet/grooved-outlet style installed with listed grooved/ flanged adapters of the appropriate pressure rating. For piping with grooved connections, the grooved-inlet/grooved-outlet style Swing Check Valve may be installed with listed grooved couplings of the appropriate pressure rating.



## TECHNICAL DATA

### SWING CHECK VALVE MODEL D-1 & G-1

The Viking Corporation, 210 N Industrial Park Drive, Hastings MI 49058

Telephone: 269-945-9501 Technical Services: 877-384-5464 Fax: 269-818-1680 Email: techsvcs@vikingcorp.com

#### 4. INSTALLATION

The Swing Check Valve must be installed in an area not subject to physical damage. When corrosive atmospheres and/or contaminated water supplies are present, it is the owner's responsibility to verify compatibility with the Swing Check Valve and associated equipment. Prior to installing the valve, thoroughly flush the water supply piping to verify that no foreign matter is present. The Swing Check Valve may be installed in the vertical position with direction of flow up, or in the horizontal position with the access cover up.

Systems with water working pressures above 175 psi (12 bar) may require extra-heavy pattern fittings. Viking Swing Check Valve flanges are Ductile Iron ANSI B16.42, Class 150, with a maximum water working pressure of 300 psi (20.7 bar). ANSI B16.42, Class 150 flanges are not compatible with ANSI Class 250 or Class 300 flanges. To mate the Viking Swing Check Valve with ANSI Class 250 or Class 300 flanges, use the grooved-inlet/grooved-outlet style installed with listed grooved/flanged adapters of the appropriate pressure rating. For piping with grooved connections, the grooved-inlet/grooved-outlet style Swing Check Valve may be installed with listed grooved couplings of the appropriate pressure rating.

#### 5. OPERATION (Refer to Figure 1)

Flow through the Viking Swing Check Valve lifts the rubber-gasketed clapper (8, and 9) off the seat (12) to enter the sprinkler piping. When flow through the valve stops, the clapper (8) closes quickly. The rubber gasket (9) forms a tight seal against the brass water seat (12), trapping pressure above the clapper and preventing reverse flow from sprinkler piping.

##### Hydrostatic Test:

The Swing Check Valve is manufactured and listed for use at a maximum water working pressure of 300 psi (20.7 bar). The valve is factory tested at 600 psi (41.4 bar). Check Valves may be hydrostatically tested (in accordance with NFPA 13) at 350 psi (24.1 bar) and/or 50 psi (3.4 bar) above the normal water working pressure for limited periods of time (two hours) for the purpose of acceptance by the Authority Having Jurisdiction. If air testing is required, do not exceed 40 psi (2.8 bar) air pressure.

#### 6. INSPECTIONS, TESTS AND MAINTENANCE

**NOTICE: The owner is responsible for maintaining the fire-protection system and devices in proper operating condition.**

The Viking Swing Check Valve must be kept free of foreign matter, freezing conditions (when used on wet systems), corrosive atmospheres, contaminated water supplies, and any condition that could impair its operation or damage the device.

It is imperative that the system be inspected and tested on a regular basis. The frequency of the inspections may vary due to contaminated water supplies, corrosive water supplies, and corrosive atmospheres. For minimum maintenance and inspection requirements, refer to NFPA 25. In addition, the Authority Having Jurisdiction may have additional maintenance, testing, and inspection requirements that must be followed.

**WARNING: Any system maintenance which involves placing a control valve or detection system out of service may eliminate the fire-protection capabilities of that system. Prior to proceeding, notify all the Authority Having Jurisdiction. Consideration should be given to employment of a fire patrol in the affected areas.**

##### 6-A. Five-Year Internal Inspection

Internal inspection of Swing Check Valves is recommended every five years unless inspections and tests indicate more frequent inspections are required.

(Refer to Figure 1)

1. Notify the Authority Having Jurisdiction, remote station alarm monitors, and those in the area affected that the system will be taken out of service. Consideration should be given to employment of a fire patrol in the affected areas.
2. Close the water supply main control valve, placing the system out of service.
3. Open the main drain. If necessary, open the system test valve to vent and completely drain the system.
4. Use the appropriate wrench to loosen and remove the cover screws (14), and remove the cover/clapper assembly (2-11).
5. Inspect the water seat (12). Wipe away all contaminants, dirt, and mineral deposits. DO NOT use solvents or abrasives.
6. Inspect the cover/clapper assembly (2-11) and the cover gasket (13). Test the hinged clapper (8) for freedom of movement. Renew or replace damaged or worn parts as required.

**CAUTION: Never apply any lubricant to seats, gaskets, or any internal operating parts of the valve. Petroleum-based grease or oil will damage rubber components and may prevent proper operation.**

7. When Internal inspection of the Check Valve is complete, perform step 6 of paragraph 11. VALVE MAINTENANCE to re-install the cover/clapper assembly (2-11).





## TECHNICAL DATA

### SWING CHECK VALVE MODEL D-1 & G-1

The Viking Corporation, 210 N Industrial Park Drive, Hastings MI 49058

Telephone: 269-945-9501 Technical Services: 877-384-5464 Fax: 269-818-1680 Email: techsvcs@vikingcorp.com

#### 6-B. Valve Maintenance

(Refer to Figure 1)

1. Perform steps 1 through 5 of paragraph 6.A - FIVE-YEAR INTERNAL INSPECTION.
2. To remove clapper rubber (9):
  - a. Use the appropriate wrenches to loosen and remove the button-head socket screw (11), hex nut (6), sealing washer (7), and rubber retainer (10).
  - b. Remove the clapper rubber (9) for inspection. If the clapper rubber shows signs of wear, such as cracking, cuts, or excessively deep grooves where the rubber contacts the water seat, replace the rubber.
3. To re-install clapper rubber (9):
  - a. Place the clapper rubber (9) over the center hub of the rubber retainer (10).
  - b. Position the retainer (10) (with rubber in place) against the clapper (8) as shown in Figure 1.
  - c. Replace and tighten the button-head socket screw (11), sealing washer (7), and hex nut (6). The sealing washer (7) and hex nut (6) must be located on the top side of the clapper as shown in Figure 1. Do not over-tighten.
4. To remove clapper (8), and/or hinge pin (4):
  - a. Remove the hinge pin retaining rings (5) to free the hinge pin (4) for removal. After the hinge pin (4) is removed, the clapper (8) can be removed.
5. To re-install clapper (8), and/or hinge pin (4):
  - a. Verify that the clapper rubber (9) is in good condition and that it is properly installed.
  - b. Position the clapper (8) with the elongated hinge holes aligned between the holes of the hinge bracket welded inside the cover (2). The system (top) side of the clapper (8) must face the direction indicated by the flow arrow stamped inside the cover (2).
  - c. Insert the hinge pin (4) through the holes at one end of the hinge assembly. Continue to push the hinge pin (4) through the holes at the remaining end of the hinge assembly.
  - d. Re-install the hinge pin retaining rings (5).
6. To re-install cover/clapper assembly (2-11):
  - a. Verify that cover gasket (13) is in position and in good condition.
  - b. Slide the cover/clapper assembly (2-11) into the Swing Check Valve so that the clapper rubber (9) contacts the water seat (12).
  - c. Replace the cover screws (14). Use the appropriate wrench to cross-tighten all screws to the torque value shown in Table 2 for the valve used. DO NOT over-tighten.

#### 7. AVAILABILITY

The Viking Swing Check Valve is available through a network of domestic and international distributors. See the Viking Corp. Web site for closest distributor or contact The Viking Corporation.

#### 8. GUARANTEES

For details of warranty, refer to Viking's current list price schedule or contact The Viking Corporation directly.

**Table 2: Torque Values for Viking Swing Check Valve Cover Screws**

Valve Size	Screw Size	Torque Values
2-1/2" (DN65)	3/8"-16 HHC	19 ft-lbs 2.63 kg-m
3" (DN80)	3/8"-16 HHC	19 ft-lbs 2.63 kg-m
4" (DN100)	3/8"-16 HHC	19 ft-lbs 2.63 kg-m
6" (DN150)	1/2"-13 HHC	45 ft-lbs 6.23 kg-m
8" (DN200)	5/8"-11 HHC	93 ft-lbs 12.9 kg-m



# TECHNICAL DATA

## SWING CHECK VALVE MODEL D-1 & G-1

The Viking Corporation, 210 N Industrial Park Drive, Hastings MI 49058

Telephone: 269-945-9501 Technical Services: 877-384-5464 Fax: 269-818-1680 Email: techsvcs@vikingcorp.com

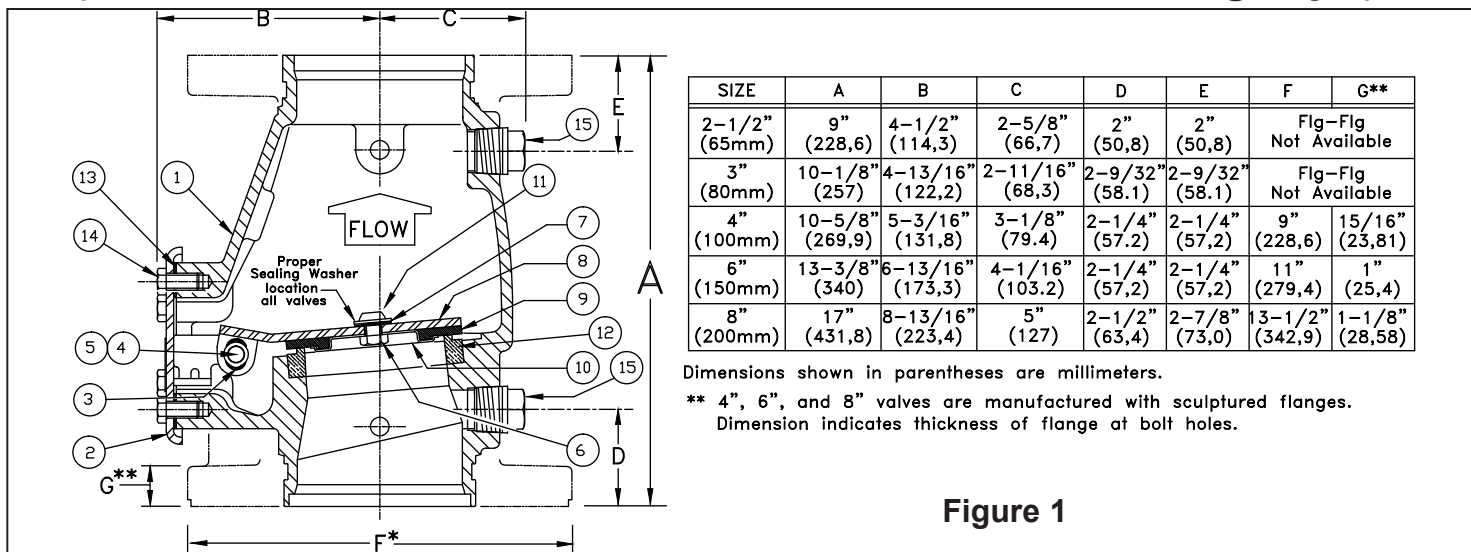


Figure 1

ITEM NO.	PART NUMBER					DESCRIPTION	MATERIAL	NO. REQ'D					
	D-1	G-1	G-1	G-1	G-1								
	2-1/2" (DN65)	3" (DN80)	4" (DN100)	6" (DN150)	8" (DN200)			2-1/2"	3"	4"	6"	8"	
1	--	--	--	--	--	Body	Ductile Iron, ASTM A536 (65-45-12)	1	1	1	1	1	
2	--	--	--	--	--	Cover Assembly, 300 PSI WWP	E-Coated HSLA Steel, A715 and Stainless Steel, UNS-S30400	1	1	1	1	1	
3	07576	07576	07576	07576	None	Bushing	Lubricomp 189 Ryton	2	2	2	2	0	
4	05355A	05355A	04900A	04991A	05334A	Clapper Hinge Pin	Stainless Steel, UNS-S30400	1	1	1	1	1	
5	05445A	05445A	05445A	05445A	05369A	Hinge Pin Retaining Ring	Stainless Steel, UNS-S15700	2	2	2	2	2	
6	01755A					Clapper Hex Jam Nut #10-24 UNC	Stainless Steel, UNS-S30400	1	0	0	0	0	
		08159	08159			Clapper Hex Jam Nut 3/8"-24 UNF	Stainless Steel, UNS-S30400	0	1	1	0	0	
				08144	08144	Clapper Hex Jam Nut 1/2"-20 UNC	Stainless Steel, UNS-S30400	0	0	0	1	1	
7	06595A	08158	08158	08143	08143	Sealing Washer	EPDM and Stainless Steel	1	1	1	1	1	
8	*	*	*	*	*	Clapper	Teflon® Coated HR Steel UNS-G10180	1	1	1	1	1	
9	*	*	*	*	*	Clapper Rubber	EPDM, ASTM D2000	1	1	1	1	1	
10	*	*	*	*	*	Clapper Rubber Retainer	Stainless Steel, UNS-S30400	1	1	1	1	1	
11	06595A					H.H.C. Screw #10-24 UNC x 1/2" (12.7 mm) lg.	Stainless Steel, UNS-S30400	1	0	0	0	0	
		10194	10194			Screw, Button Head, Socket, 3/8" - 24 UNF x 1/2"	Stainless Steel, UNS-S30400	0	1	1	0	0	
				10308		Screw, Button Head, Socket, 1/2" - 20 UNF x 3/4" (19.1 mm) lg.	Stainless Steel, UNS-S30400	0	0	0	1	1	
					10686	Screw, Button Head, Socket, 1/2" - 20 UNF x 7/8"	Stainless Steel, UNS-S30400	0	0	0	0	1	
12	--	--	--	--	--	Seat	Brass, UNS-C84400	1	1	1	1	1	
13	05354B	05354B	04649B	04992B	05339C	Cover Gasket	EPDM, ASTM D2000	1	1	1	1	1	
14	01517A	01517A	01517A			H.H.C. Screw 3/8"-16 UNC x 3/4" (19,1 mm) lg.	Steel, Zinc Plated	4	4	6	0	0	
				04993A		H.H.C. Screw 1/2"-13 UNC x 7/8" (22,2 mm) lg.	Steel, Zinc Plated	0	0	0	6	0	
					01922A	H.H.C. Screw 5/8"-11 UNC x 1-1/4" (31,8 mm) lg.	Steel, Zinc Plated	0	0	0	0	6	
15	--	--	--			1/2" (15 mm) NPT Pipe Plug	Steel	2	2	2	0	0	
				--	--	3/4" (20 mm) NPT Pipe Plug	Steel	0	0	0	2	2	

-- Indicates replacement part is not available

\* Indicates replacement part only available in a Sub-Assembly listed below.

**Sub-Assemblies**

3, 6-11	05499B	08518	08519	08520	08521	Clapper Assembly
9, 10	--	14864	14865	14866	--	Replacement Clapper Rubber Kit*

\*Clapper rubbers are different on 3", 4", & 6" G-1 valve than original manufacture. If clapper rubber requires replacement, order replacement rubber kit.

# Bronze Ball Valves

Three-Piece Body • Full Port • 316SS Trim • Blowout-Proof Stem • Vented Ball



**600 PSI/41.4 bar non-shock cold working pressure**  
**150 PSI/10.3 bar saturated steam\***

CONFORMS TO MSS SP-110

## MATERIAL LIST

PART	SPECIFICATION
1. Handle Nut	Stainless Steel 300 Series
2. Handle	Zinc Plated Steel Clear Chromate Plastisol Coated
3. Threaded Pack Gland	Brass ASTM B 16 Alloy C36000
4. Stem	Stainless Steel ASTM A 276 Type 316
5. Body	Bronze ASTM B 584 Alloy C84400
6. Packing	PTFE
7. Body End (2)	Cast Bronze ASTM B 584 Alloy C84400
8. O-Ring Seal (2)	Fluorocarbon Rubber
9. Seat Ring (2)	PTFE
10. Ball (Vented)	Stainless Steel ASTM A 276 Type 316 or ASTM A 351 Type CF8M
11. Thrust Washer	Reinforced PTFE
12. Body Bolts	Zinc Dichromate Plated Steel ASTM A 449 Grade 5
13. Body Nuts	Zinc Dichromate Plated Steel ASTM A 449 Grade 5

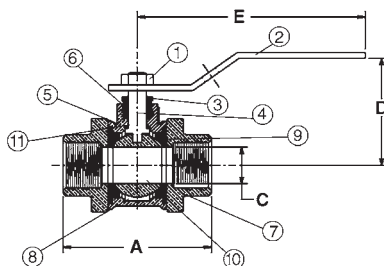
Note: valves are static grounded by a grounding washer. (not shown)



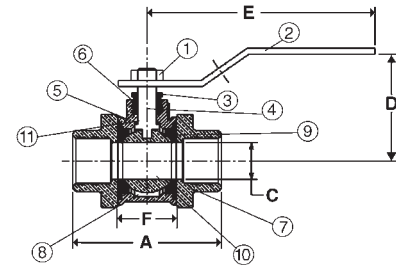
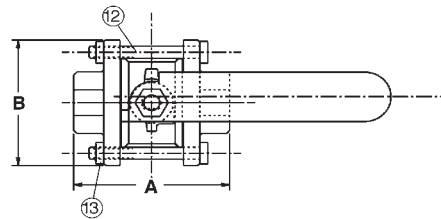
**T-595-Y-66**  
Threaded



**S-595-Y-66**  
Solder



**T-595-Y-66**  
NPT x NPT



**S-595-Y-66**  
C x C

## DIMENSIONS—WEIGHTS—QUANTITIES

Size	T-595-Y-66		S-595-Y-66		Dimensions						S-595-Y-66				Master Ctn. Qty.					
	A	A	B	C	D	E	F	T-595-Y-66	S-595-Y-66	Lbs.	Kg.	Lbs.	Kg.							
1/4	8	2.50	64	1.69	43	1.81	46	.38	10	1.69	43	3.91	99	.875	29	1.03	.47	.89	.40	50
3/8	10	2.50	64	1.81	46	1.81	46	.38	10	1.69	43	3.91	99	.875	29	.98	.44	.89	.40	50
1/2	15	2.50	64	2.06	52	1.81	46	.50	13	1.69	43	3.91	99	.875	29	1.03	.47	.89	.40	50
3/4	20	3.00	76	2.94	75	1.94	49	.75	19	2.00	51	4.66	118	1.190	37	1.70	.77	1.59	.72	30
1	25	3.69	94	3.66	93	2.50	64	1.00	25	2.25	57	4.66	118	1.563	47	2.82	1.28	2.55	1.15	20
1 1/4	32	4.09	104	3.91	99	2.69	68	1.25	32	2.75	70	6.69	170	1.750	50	3.96	1.80	3.61	1.64	10
1 1/2	40	4.56	116	4.60	117	3.00	76	1.50	38	2.97	75	6.69	170	2.125	60	5.68	2.57	5.31	2.41	10
2	50	6.16	156	5.78	147	4.00	102	2.00	51	3.63	92	6.69	170	2.640	78	11.40	5.17	10.60	4.81	4
2 1/2	65	6.84	174	6.94	176	5.00	127	2.50	64	4.09	104	8.00	203	3.463	102	21.07	9.56	19.30	8.75	2

\*For detailed operating pressure, refer to pressure temperature chart on page 41.



**WARNING:** This product can expose you to chemicals including lead, which is known to the State of California to cause cancer and birth defects or other reproductive harm. For more information go to [www.P65Warnings.ca.gov](http://www.P65Warnings.ca.gov).

**LEAD FREE\*  
OPTION  
AVAILABLE**

**OXYGEN  
SERVICE  
OPTION  
AVAILABLE**

\*Weighted average lead content ≤ 0.25%

Visit our website for the most current information.



**KENNEDY VALVE**



# **UL/FM BUTTERFLY VALVES**



**Designed for the Fire Protection Industry**

**Sizes: 2-1/2", 3", 4", 6", 8"**

**300 PSI Rated**

**Double Seal Design for Bubble Tight Shut Off**

**Outdoor Rated**

**CA. State Fire Marshall Accepted**

**Lightweight**

**Fusion Bonded Coated Body**

**Low Torque Operation**

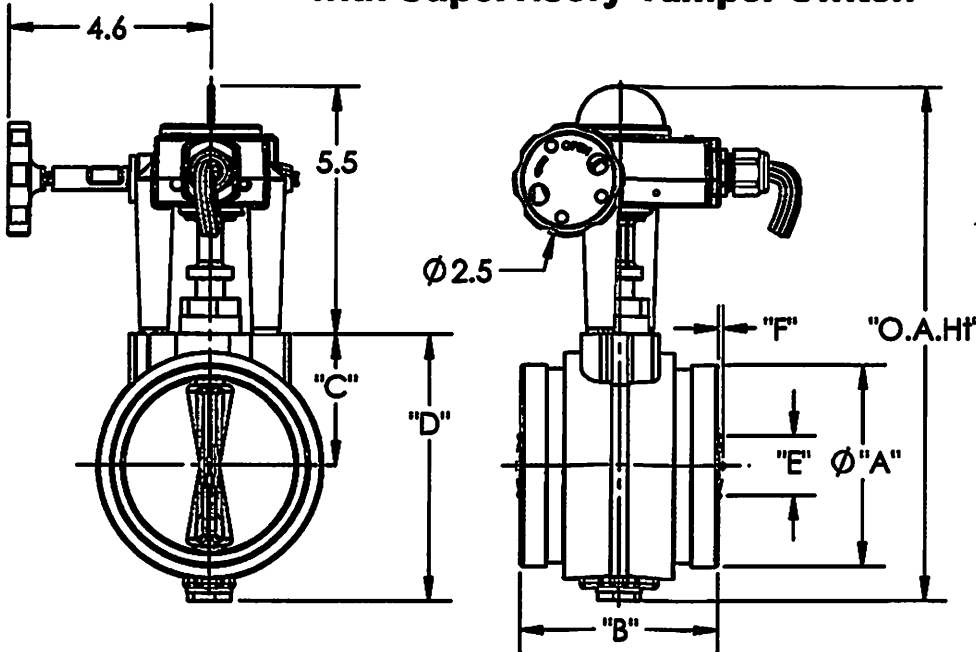
**Easy to Read Flag Type Indicator**

# KENNEDY VALVE

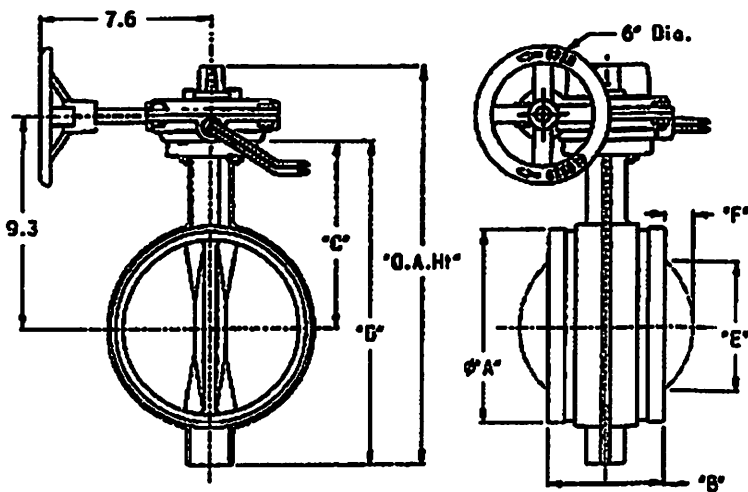
Division of McWane, Inc.

1021 East Water St., Elmira, NY 14901 (607) 734-2211

## Grooved End Butterfly Valves 2 1/2" to 8" Figure G300/G300C & 01G 300 psi with Supervisory Tamper Switch



Sizes 2 1/2" - 6"  
G300/G300C  
Outdoor Rated UL/FM  
Available Normally Open  
and Normally Closed



Size 8" Only  
OIG  
Outdoor Rated UL  
Available Normally Open  
and Normally Closed

1. UPPER AND LOWER SHAFTS 410SS/414SS					
2. BODY COATING: EPOXY					
3. DISC ENCAPSULATION MTL: EPDM					
	G300				01G
SIZE	2 1/2"	3"	4"	6"	8"
A	2.85	3.4	4.4	6.6	8.6
B	3.8	3.8	4.5	5.8	5.2
C	2.2	2.4	2.9	4.0	8.2
D	4.3	4.8	5.9	8.1	14.3
E	N/A	N/A	N/A	1.7	5.9
F	N/A	N/A	N/A	1	1.3
O.A. HI	10.0	10.4	11.6	13.8	17.6
WT. #	8.8	10.1	13.5	24.6	44

Note: "E will be MINIMUM allowed pipe I.D.  
Exercise care handling and installing



**KENNEDY VALVE**  
 Division of McWane, Inc.



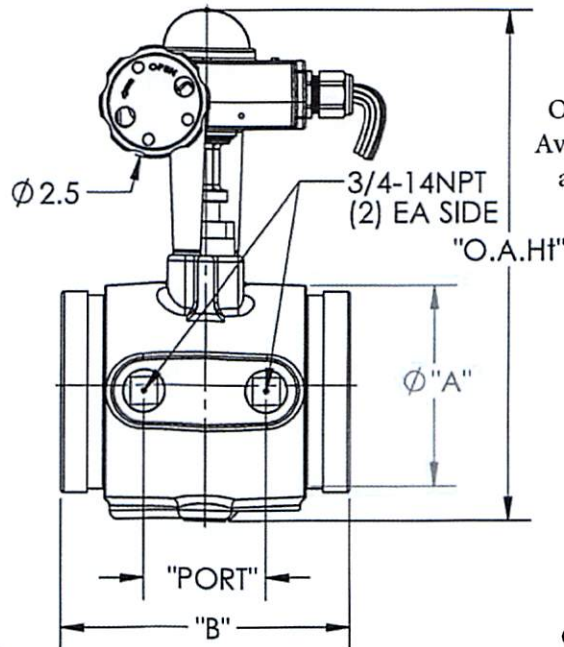
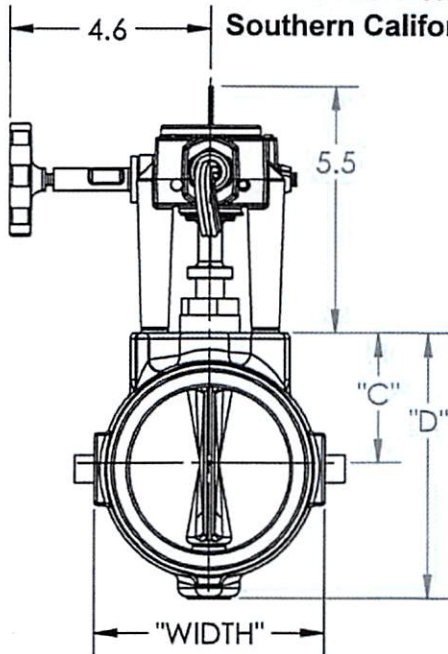
1021 East Water St., Elmira, NY 14901 (607) 734-2211

**Grooved End Butterfly Valves 2 1/2" to 8"**

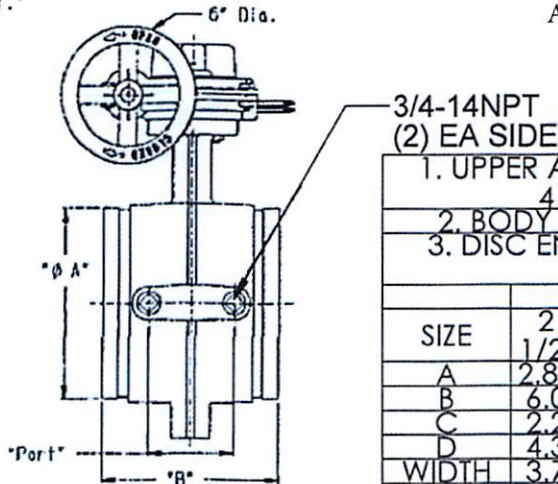
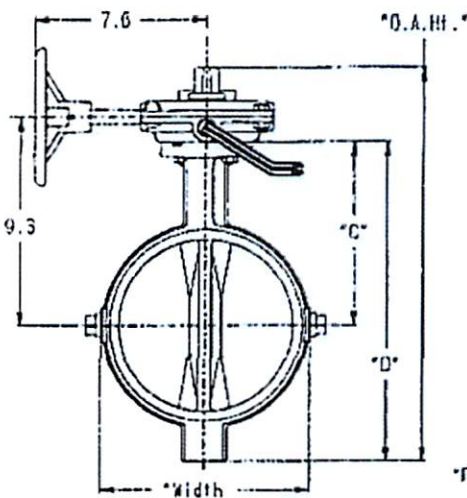
**Figure G300E/G300EC & 02G 300 psi  
 with Supervisory Tamper Switch**

- Extended Length Valves Equipped with Four 3/4" NPT Ports
- 4"-8" Sizes Approved for Cross Connection
- NSF61 Certified

Connection Control and Hydraulic Research at the University of Southern California



Sizes 2 1/2" - 6"  
 G300E / G300EC  
 Outdoor Rated UL/FM  
 Available Normally Open  
 and Normally Closed



8" Only  
 02G  
 Outdoor Rated UL  
 Available Normally Open  
 and Normally Closed

	1. UPPER AND LOWER SHAFTS 410SS/416SS				
	2. BODY COATING: EPOXY				
	3. DISC ENAPSULATION MTL: EPDM				
	G300E				02G
SIZE	2 1/2"	3"	4"	6"	8"
A	2.85	3.47	4.47	6.61	8.6
B	6.0	6.3	6.6	6.9	7.9
C	2.2	2.4	2.9	4.0	8.2
D	4.3	4.8	5.9	8.1	14.3
WIDTH	3.7	4.2	5.2	7.4	9.3
PORT	2.3	2.6	2.8	3.1	2.3
O.A. HT	10.0	10.4	11.6	13.8	17.6
WT. #	12.5	14.5	18	28	55

Note: Disc does not protrude past the "B" dimension of the body on any size in the open position. Exercise care handling and during installation



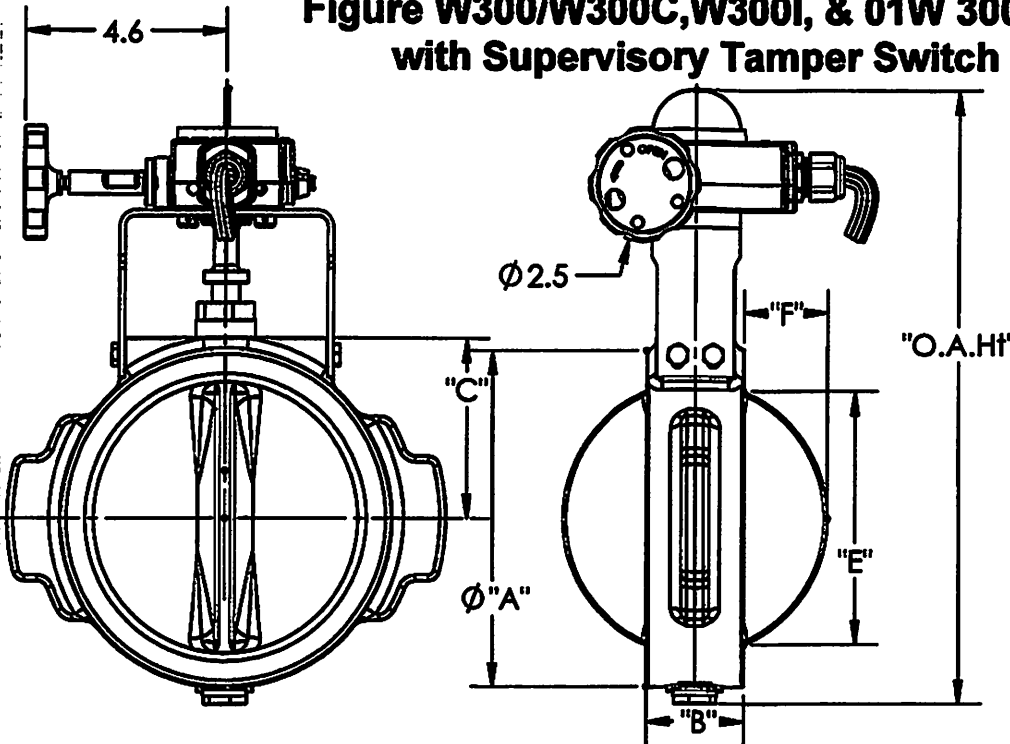
**KENNEDY VALVE**  
 Division of McWane, Inc.



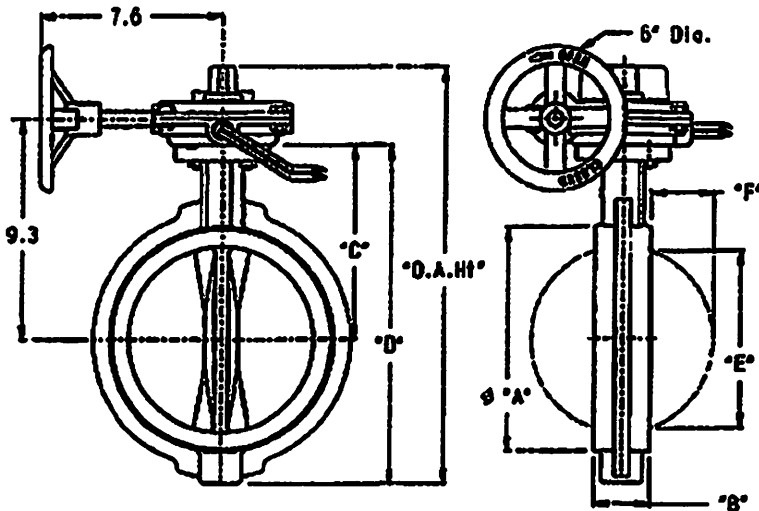
1021 East Water St., Elmira, NY 14901 (607) 734-2211

**Wafer Butterfly Valves 2 1/2" to 8"**  
**Figure W300/W300C, W300I, & 01W 300 psi**  
**with Supervisory Tamper Switch**

Valve Selection for ISO PN16 Flange	
Flange Size	KV Model
65MM	2 1/2" W300
80MM	3" W300I
100MM	4" W300I
150MM	6" W300



Sizes 2 1/2" - 6"  
 W300/W300C/W300I  
 Outdoor Rated UL /FM  
 Available Normally Open and  
 Normally Closed



8" Size Only  
 02G  
 Outdoor Rated UL Available  
 Normally Open and  
 Normally Closed

WAFFER BOLTING					
SIZE	2-1/2"	3"	4"	6"	8"
Number of Studs	4	4	8	8	8
Stud Size (Inch)	5/8	5/8	5/8	3/4	3/4
Stud Length Min (Inch)	5.5	5.5	6.5	7	7.5
Recommended Min Torque (Ft Lbs)	30	30	30	40	50

1. UPPER AND LOWER SHAFTS 410SS/416SS						
2. BODY COATING: EPOXY						
3. DISC ENAPSULATION MIL: FPDM						
SIZE	W300, W300I					01W
	2 1/2"	3"	4"	6"	8"	
A	4.2	4.4	5.3	7.5	9.5	
B	1.8	1.8	2.0	2.2	2.4	
C	2.2	2.4	2.9	4.0	8.2	
D	4.3	4.8	5.9	8.1	14.3	
E	1.7	4.2	3.3	5.6	9.3	
F	4	6	9	1.9	2.7	
O.A. HT	10.0	10.4	11.6	13.8	17.6	
WT.#	10.5	11.1	13.8	20.5	44	

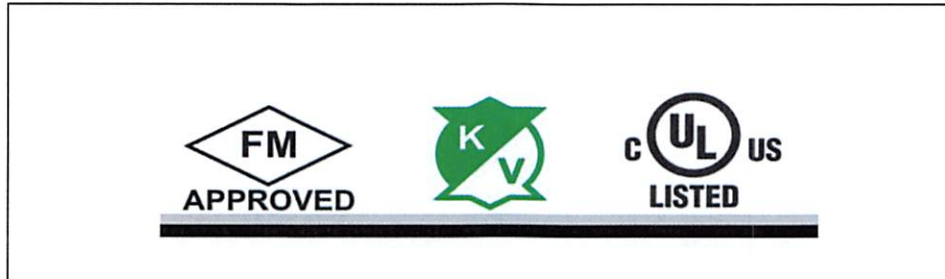
Dimensions B, D, and E are referenced in Installation Instructions  
 "E" is MINIMUM allowed Pipe I.D.  
 Exercise care handling and during Installation

KENNEDY VALVE

Division of McWane, Inc.

1021 East Water St. Elmira, NY 14901

## UL/FM BUTTERFLY VALVES



### INSTALLATIONS INSTRUCTIONS FOR INDOOR & OUTDOOR USE

#### CAUTION

PRIOR TO INSTALLATION OF SUPERVISORY SWITCHES IN FIRE PROTECTION SYSTEMS, REFER TO THE FOLLOWING STANDARDS:

- 1) NFPA 13: STANDARDS FOR THE INSTALLATION OF SPRINKLER SYSTEMS
- 2) NFPA 25: INSPECTION, TESTING, MAINTENANCE OF WATER BASED FIRE PROTECTION SYSTEMS
- 3) NFPA 70: NATIONAL ELECTRICAL CODE
- 4) NFPA 72 NATIONAL FIRE ALARM CODE

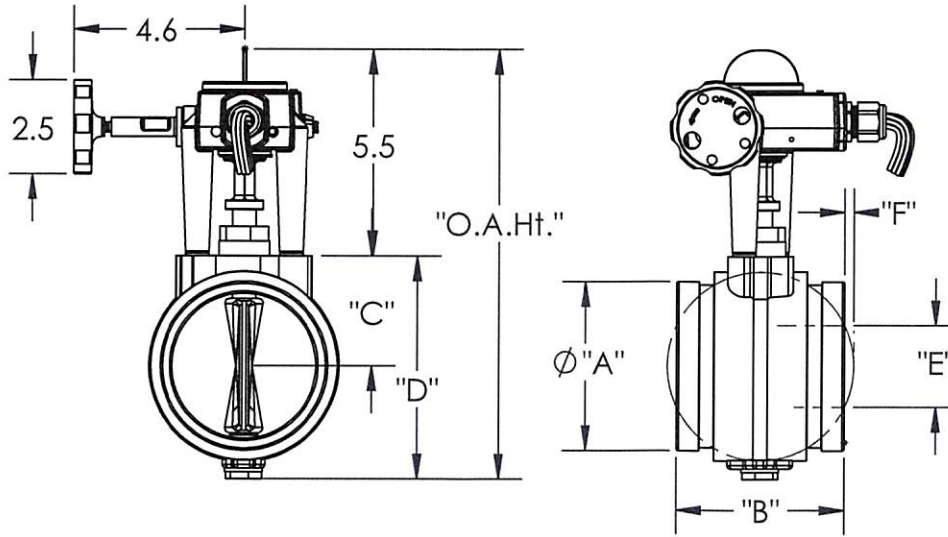
#### WARNING

- 1) REMOVE CORD GRIP FROM GEARBOX BEFORE INSTALLING CONDUIT
- 2) METALLIC CONDUIT REQUIRED BY NEC FOR PROPER GROUNDING
- 3) CONDUIT JOINTED MUST BE SEALED WITH CONDUIT SEALANT
- 4) INSTALL SWITCH IN ACCORDANCE WITH NATIONAL ELECTRICAL CODE AND/OR LOCAL ORDINANCES
- 5) ASSURE ALL DEVICES ARE PROPERLY GROUNDED



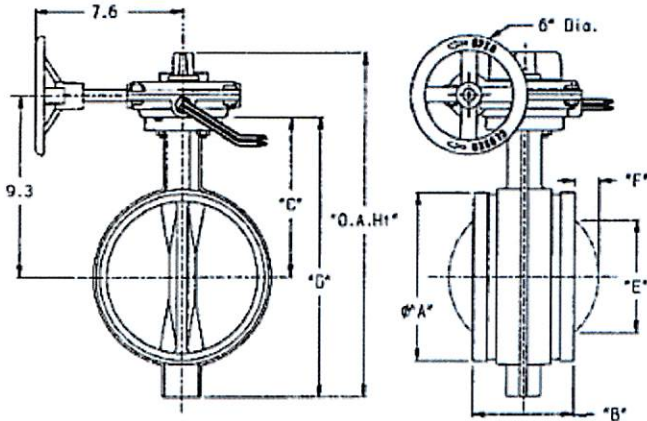
G300, G300E, 01G, 01GC  
G300C, G300EC, 02G, 02GC  
W300, W300C, 01W, 01WC

INSTALLATION INSTRUCTIONS  
FOR INDOOR & OUTDOOR USE



G300  
6" SHOWN

THIS STYLE AVAILABLE ON  
2.5", 3", 4", 6" & 8" SIZES



01G  
8" SHOWN

**NOTE:**  
INTEGRAL GEARBOX  
STYLE APPROVED 2015

FIRE PROTECTION PRODUCT IS NOT  
NSF CERTIFIED. FOR ACQUIRING NSF61  
CERTIFICATION OR USC LISTINGS,  
CONTACT THE KENNEDY VALVE SALES  
DEPART.

1. UPPER AND LOWER SHAFTS 410SS/416SS
2. BODY COATING: EPOXY
3. DISC ENAPSULATION MTL: EPDM

SIZE	G300					W300					01W
	2.5"	3"	4"	6"	8"	2.5"	3"	4"	6"	8"	8"
A	2.85	3.47	4.47	6.61	8.6	4.2	4.4	5.3	7.5	9.5	
B	3.8	3.8	4.5	5.8	5.2	1.8	1.8	2.0	2.2	2.4	
C	2.2	2.4	2.9	4.0	8.2	2.2	2.4	2.9	4.0	8.2	
D	4.3	4.8	5.9	8.1	14.3	4.3	4.8	5.9	8.1	14.3	
E	N/A	N/A	N/A	1.7	5.9	1.7	4.2	3.3	5.6	9.3	
F	N/A	N/A	N/A	.1	1.3	.4	.6	.9	1.9	2.7	
O.A. HEIGHT	10.0	10.4	11.6	13.8	17.6	10.0	10.4	11.6	13.8	17.6	
WT. (POUNDS)	8.8	10.1	13.5	24.6	44	10.5	11.1	13.8	20.5	44	

GROOVED END CONNECTIONS: FOR USE WITH STEEL GROOVED END PIPE (IPS)  
MATING PIPE AND COUPLINGS TO CONFORM TO IPS STEEL PIPE DIMENSIONS  
FOR OUTSIDE GROOVE AND GASKET SEATING DIMENSIONS.  
SEE DIAGRAM DIM "E" FOR MINIMUM INSIDE DIAMETER OF PIPE.

**PIPE CONNECTION SPECIFICATIONS-ALL VALVES RATED 300 PSI**

SUPERCEDES		<b>KENNEDY VALVE</b> DIVISION OF MCWANE, INC. TECHNICAL SERVICE MANUAL	ISSUED		DRAWING	
DATE	PAGE		BY	DATE	32271-04	
N/A	N/A		PJD	2/16/21	(PAGE 1/2)	

## BUTTERFLY VALVES

Models: G300/G300E/G300C/G300EC/W300/W300E/W300C/W300EC/W30001/01G/02G/01W

### SUPPLEMENTARY INSTALLATION INSTRUCTIONS

Information shown here is intended to supplement, not to replace, instructions that are shipped with each valve. Dimensional information regarding minimum pipe I.D. and disc protrusion are shown on dimensional page for particular valve. Exercise care handling and during assembly.

#### Grooved Body

For use with IPS grooved end.

see valve dimensional information for min. pipe I.D. (dimension E)

Valves shall be installed by person(s) certified to install grooved end fittings in a fire protection system by authority having jurisdiction:

\*Follow grooved coupling manufacturers latest published directions.

#### Wafer Body

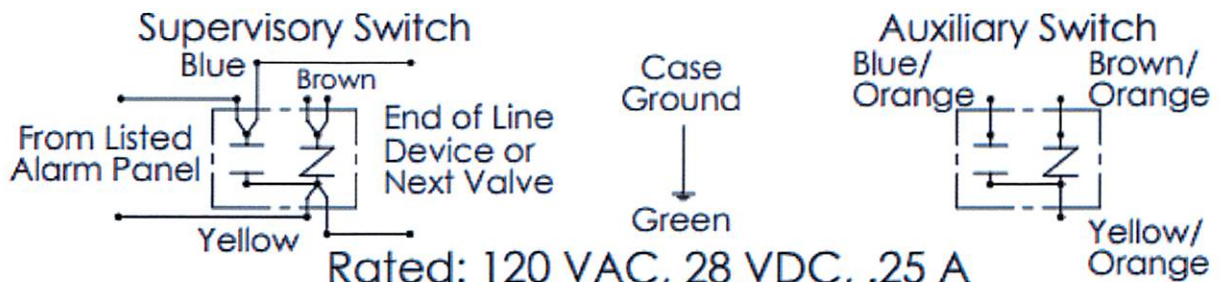
For installation between two ANSI B16.1, 125lb. flanges see valve dimensional information for min. pipe I.D. (dimension E)

1. Two flanged mating pieces should be placed at a distance apart that is slightly more than the thickness of the body (dimension B on wafer table)
2. A minimum of 2 studs shall be placed through adjacent flange holes so that the lower trunnion of the valve can fit between them. Normally this is the bottom 2 holes if the valves will be vertical with open/closed indicator on top
3. Place the valve between the flanges taking care to not disturb the body gaskets.
4. Place remaining studs around the valve and tighten using an alternating pattern until desired torque is reached.
5. O-ring gaskets are shipped with valve to help facilitate installation against ANSI class flanges. When mating to grooved flange adapters the o-ring gaskets can be discarded.

#### Switch Wiring

1. Valve has internal switches that operate from the OPEN position. Normally Closed valves are an option(W300C/G300C/G300EC), and operate from CLOSED position
2. One switch has dual leads that is for connection to the SUPERVISORY circuit of an alarm panel. The other switch has single leads and is intended to be connected to AUXILIARY equipment
3. Tuck unused leads into junction box (not provided)
4. Always comply with national codes, local codes and NFPA 13/71 and 72

#### G300,G300E,W300E WIRING 2 1/2" - 8" VALVE NORMALLY OPEN (G300,G300E,W300,01G,02G,01W) OR VALVE NORMALLY CLOSED (G300C,W300C,G300EC,01GC,02GC,01WC)



Wiring Notes: Connection to power limited circuitry is required.  
Auxiliary switch connections are not intended for electrical supervision.  
Switches are checked at factory, check continuity with valve fully open (or closed for normally closed valves), switches activates within 2 turns of handwheel from open.



**Kennedy Valve**  
A Division of McWane Inc  
[www.kennedyvalve.com](http://www.kennedyvalve.com)

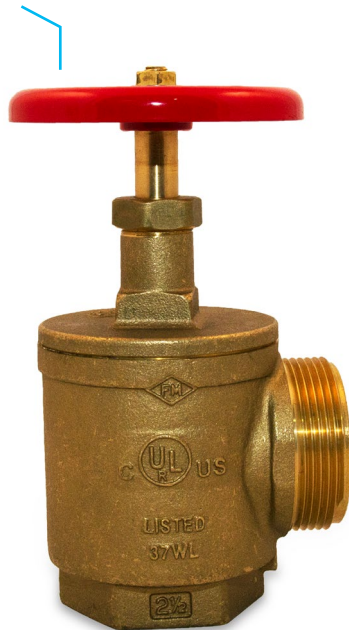
2020

1021 E Water St. Elmira, NY 14901

P.O. Box 981

Phone (607) 734-2211 Fax: 1-800-952-4771

## Angle Hose Valves Fig. 07-000



### Description

Angle hose valves feature all brass\* construction with forged or cast bodies for rigidity and light weight. Typical uses are in rack assemblies or any other application which requires a listed fire hose valve. Available in rough brass or polished chrome finish with a red hand wheel. UL, ULc Listed, FM Approved. Rated 300psi.

### Installation

Install in accordance with customary installation practices. Use an approved thread sealant such as PipeFit® Thread Sealing Paste with PTFE on the male threads to which the valve is being installed.

**DO NOT OVER TIGHTEN.** Over tightening of the valve during installation to the male pipe threads may crack or deform the valve body. Only use tools suitable for the installation of this product. Do not use pipe wrench extenders to increase leverage on pipe wrenches. This may result in valve damage as well as personal injury.

The information contained herein is produced in good faith and is believed to be reliable but is provided for guidance and information purposes only. FPPI and its agents cannot assume liability or responsibility for results obtained in the use or misuse of its product by persons whose methods and qualifications are outside and beyond our control. It is the user's responsibility to determine the suitability of, methods of use, preparation prior to use, and appropriate installation for all products purchased from FPPI. It is the user's sole responsibility to observe and adapt such precautions as may be advisable or necessary for the protection of personnel and property in the handling and use of any of our products.

### Specifications

Nomenclature and Material:

**Material:**

Cast or Forged Brass\* Body

**Finish:**

Rough Brass

Polished Chrome\*

**Threads:**

- 2 1/2" FNPT x FNPT
  - x MNST
  - x MBCT
  - x MQST
  - x MONT
  - x MPHX
  - x MTEM
  - x MCLV
  - x MNYFD
  - x MDET
  - x MCF
  - x MRCH
- 2 1/2" GRV x FNPT
  - x MNST
  - x MQST
  - x MNYFD
- 2 1/2" FNPT x 3 MNST
- 1 1/2" FNPT x FNPT
  - x MNST

\*Contains lead. Not for use in water systems intended for human consumption.

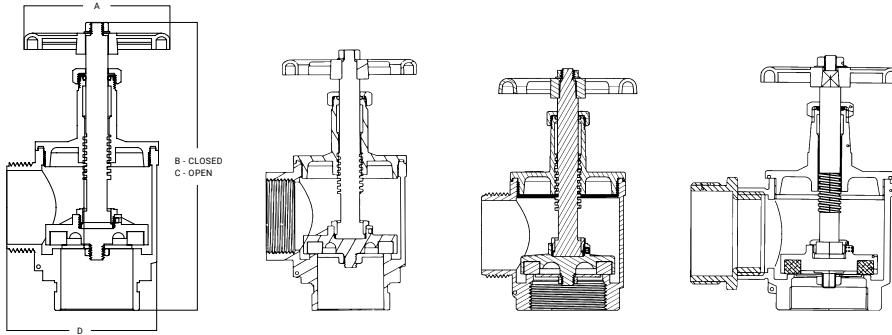


# FPPI

An ASC Engineered Solution

PROJECT INFORMATION	APPROVAL STAMP
Project:	Approved
Address:	Approved as noted
Contractor:	Not approved
Engineer:	Remarks:
Submittal Date:	
Notes 1:	
Notes 2:	

## Angle Hose Valves Fig. 07-000



Item Number	Configuration	A (IN)	A (MM)	B (IN)	B (MM)	C (IN)	C (MM)	D (IN)	C (MM)
07-000-00	2 1/2" FNPT X MNST	5"	127	8.64"	219.5	10.41"	264.5	5.2"	132
07-000-10	2 1/2" FNPT X MNST (PC)	5"	127	8.64"	219.5	10.41"	264.5	5.2"	132
07-001-00	2 1/2" GRV X MNST	5"	127	9.42"	239.3	11.2"	284.3	5.12"	130
07-001-02	2 1/2" GRV X MQST	5"	127	9.42"	239.3	11.2"	284.3	5.12"	130
07-001-03	2 1/2" GRV X MNYFD	5"	127	9.42"	239.3	11.2"	284.3	5.12"	130
07-002-00	2 1/2" FNPT X MBCT/ NYCORP	5"	127	8.64"	219.5	10.41"	264.5	5.2"	132
07-003-00	2 1/2" FNPT X MNYFD	5"	127	8.64"	219.5	10.41"	264.5	5.2"	132
07-004-00	2 1/2" FNPT X MQST	5"	127	8.64"	219.5	10.41"	264.5	5.2"	132
07-005-00	2 1/2" FNPT X MRCH	5"	127	8.64"	219.5	10.41"	264.5	5.2"	132
07-006-00	2 1/2" FNPT X MONT	5"	127	8.64"	219.5	10.41"	264.5	5.2"	132
07-008-00	2 1/2" FNPT X MPHX	5"	127	8.64"	219.5	10.41"	264.5	5.2"	132
07-010-00	2 1/2" FNPT X MTEM	5"	127	8.64"	219.5	10.41"	264.5	5.2"	132
07-012-00	2 1/2" FNPT X MCLV	5"	127	8.64"	219.5	10.41"	264.5	5.2"	132
07-014-00	2 1/2" FNPT X MDET	5"	127	8.64"	219.5	10.41"	264.5	5.2"	132
07-016-00	2 1/2" FNPT X MCF	5"	127	8.64"	219.5	10.41"	264.5	5.2"	132
07-020-00	2 1/2" FNPT X FNPT	5"	127	8.64"	219.5	10.41"	264.5	5.2"	132
07-021-00	2 1/2" GRV X FNPT	5"	127	9.42"	239.3	11.2"	284.3	5.12"	130
07-022-00	1 1/2" FNPT X MNST	3.89"	98.8	6.71"	170.4	7.81	198.5	3.84"	97.5
07-024-00	1 1/2" FNPT X FNPT	3.89"	98.8	6.71"	170.4	7.81	198.5	3.84"	97.5
07-050-00	2 1/2" FNPT X 3 MNST	5"	127	8.64"	219.5	10.41"	264.5	7.74"	196.5

## Hose Valve Caps – Plastic (ABS) with Chain Fig. 07-280



### Specifications

**Materials:**

Cap: Injection Molded ABS  
Chain: Zinc plated steels

**Sizes:**

2 1/2" NST  
1 1/2" NST

**Color**

Red

**Inscription:**

Do Not Pressurize

### Description

Plastic hose valve caps are intended to be used in place of brass or bronze caps. Because of the plastic materials low scrap value, theft and vandalism are significantly reduced. Both size caps feature rocker lug design and are provided with an attaching chain.

### Installation

INTENDED ONLY FOR USE WITH NST THREADS. Make sure valve threads are free from debris. Thread correct size cap onto the valve until tight. Attach chain to the valve body at the point provided by the valve manufacturer. CAUTION: PLASTIC HOSE VALVE CAPS ARE FOR PROTECTION OF THE MALE THREAD ONLY. DO NOT PRESSURIZE PLASTIC HOSE VALVE CAPS. SERIOUS BODILY INJURY CAN OCCUR.

The information contained herein is produced in good faith and is believed to be reliable but is provided for guidance and information purposes only. FPPI and its agents cannot assume liability or responsibility for results obtained in the use or misuse of its product by persons whose methods and qualifications are outside and beyond our control. It is the user's responsibility to determine the suitability of, methods of use, preparation prior to use, and appropriate installation for all products purchased from FPPI. It is the user's sole responsibility to observe and adapt such precautions as may be advisable or necessary for the protection of personnel and property in the handling and use of any of our products.



PROJECT INFORMATION	APPROVAL STAMP
Project:	Approved
Address:	Approved as noted
Contractor:	Not approved
Engineer:	Remarks:
Submittal Date:	
Notes 1:	
Notes 2:	