



# TECHNICAL DATA

## PILOT REGULATING FLOW CONTROL HORIZONTAL TRIM

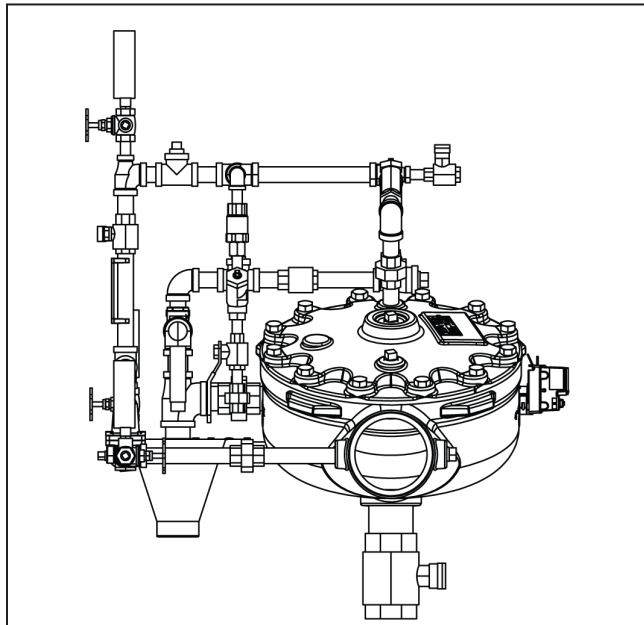
4" (DN100) MODEL J

FLOW CONTROL VALVE

The Viking Corporation, 210 N Industrial Park Drive, Hastings MI 49058

Telephone: 269-945-9501 Technical Services: 877-384-5464 Fax: 269-818-1680 Email: techsvcs@vikingcorp.com

Visit the Viking website for the latest edition of this technical data page: www.vikinggroupinc.com



This Trim Chart is for use with the following Viking Trim Sets

Valve Size	Galvanized Trim Part No.	Brass Trim Part No.	Stainless Steel Part No.
4" (DN100)	26521-1	26521-2	26521-3

This trim is for use with the following Release Module Trim Kits

Release Type	Galvanized	Brass	Stainless Steel
Electric	10830	10832	10831

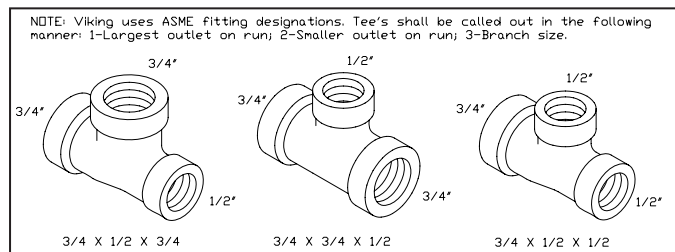
**Note:** Nipple lengths for brass trim may vary from those shown on this Trim Chart.



### Notes: For use with Trim Charts on Pages 2 and 3

#### General Notes:

- Valve must be trimmed as shown. Any deviation from trim size or arrangement may affect the proper operation of the valve.
- Dimensions in parenthesis are millimeters.
- Viking uses ANSI tee designations (large outlet on run, small outlet on run, side outlet) in all trim call-outs.



**Note 1:** Release System connection.

**Note 2:** Alarm Connections: Connect alarm line piping to 3/4" (20 mm) NPT outlet. When using a Water Motor Alarm, a strainer is required. 1/2" (15 mm) NPT outlet is for electric Alarm Pressure Switch.

**Note 3:** Optional non-interruptible connection for Alarm Pressure Switch to activate electric alarm panel. Note: After the flow control valve trips, this location cannot be shut off. Alarms may operate until the outlet chamber of the flow control valve is de-pressurized below the set point of the Alarm Pressure Switch.

**Note 4:** Viking Drain Check Valve is manufactured with a 0.067" (1.7 mm) orifice to allow alarm line to drain. Do not substitute. Check label for proper orientation.



# TECHNICAL DATA

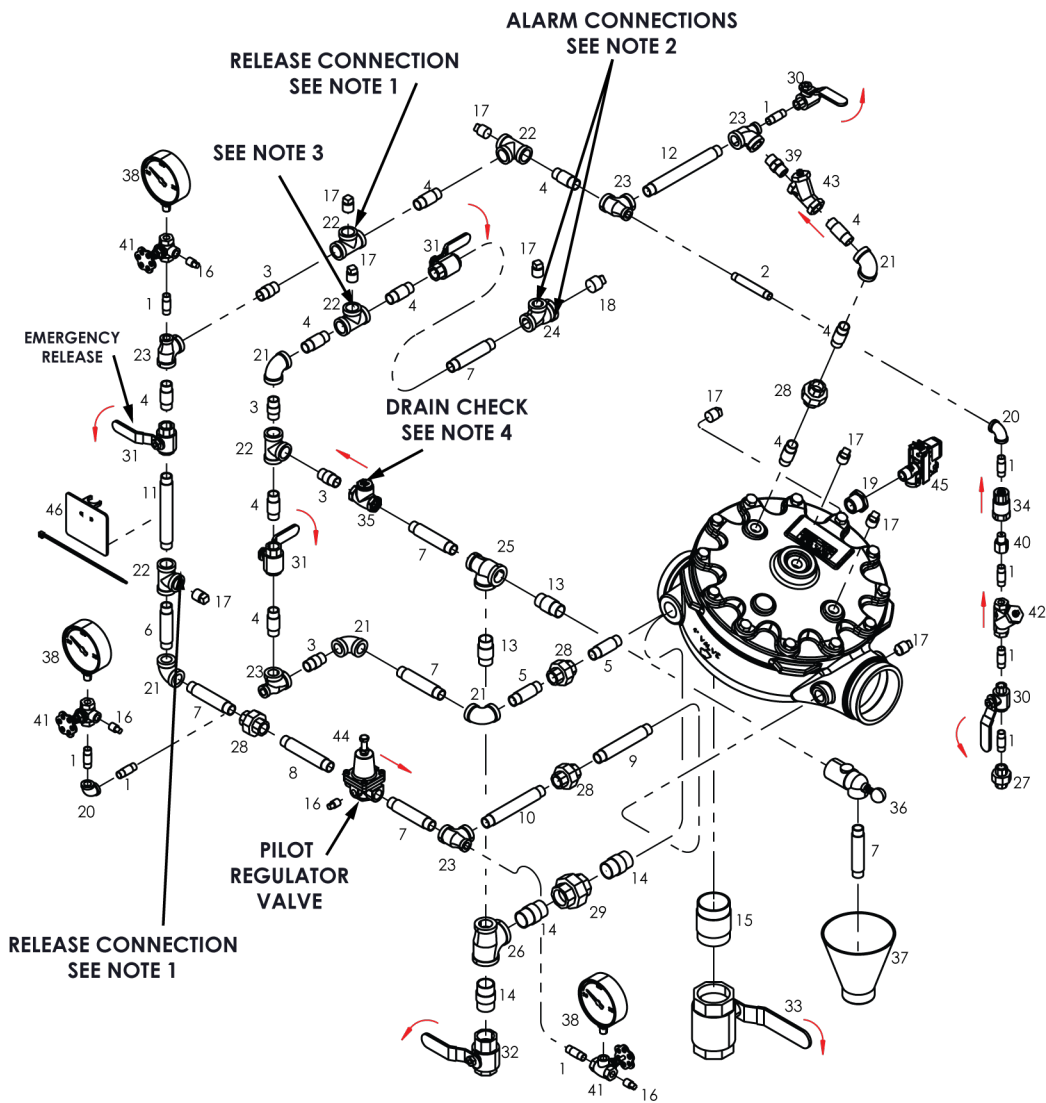
## PILOT REGULATING FLOW CONTROL HORIZONTAL TRIM 4" (DN100) MODEL J FLOW CONTROL VALVE

The Viking Corporation, 210 N Industrial Park Drive, Hastings MI 49058

Telephone: 269-945-9501 Technical Services: 877-384-5464 Fax: 269-818-1680 Email: techsvcs@vikingcorp.com

Visit the Viking website for the latest edition of this technical data page: www.vikinggroupinc.com

ITEM	BOM DESCRIPTION	REQ.
1	NIPPLE, 1/4" X 1-1/2"	9
2	NIPPLE, 1/4" X 3-1/2"	1
3	NIPPLE, 1/2" X 1-1/2"	4
4	NIPPLE, 1/2" X 2"	10
5	NIPPLE, 1/2" X 2-1/2"	2
6	NIPPLE, 1/2" X 3-1/2"	1
7	NIPPLE, 1/2" X 4"	6
8	NIPPLE, 1/2" X 4-1/2"	1
9	NIPPLE, 1/2" X 5"	1
10	NIPPLE, 1/2" X 5-1/2"	1
11	NIPPLE, 1/2" X 6"	1
12	NIPPLE, 1/2" X 7"	1
13	NIPPLE, 3/4" X 2"	2
14	NIPPLE, 1" X 2"	3
15	NIPPLE, 2" X 3"	1
16	PLUG, 1/4"	4
17	PLUG, 1/2"	9
18	PLUG, 3/4"	1
19	REDUCING BUSHING, 1" X 1/2"	1
20	ELBOW, 1/4"	2
21	ELBOW, 1/2"	5
22	TEE, 1/2"	5
23	TEE, 1/2" X 1/4" X 1/2"	5
24	TEE, 3/4" X 1/2" X 1/2"	1
25	TEE, 3/4" X 1/2" X 3/4"	1
26	TEE, 1" X 3/4" X 1"	1
27	UNION, 1/4"	1
28	UNION, 1/2"	4
29	UNION, 1"	1
30	BALL VALVE, 1/4"	2
31	BALL VALVE, 1/2"	3
32	BALL VALVE, 1"	1
33	BALL VALVE, 2"	1
34	CHECK VALVE, 1/4"	1
35	DRAIN CHECK VALVE	1
36	DRIP CHECK VALVE	1
37	DRAIN CUP	1
38	PRESSURE GAUGE, WATER	3
39	RESTRICTION, .0625	1
40	RESTRICTION, 1/16"	1
41	SIDE OUTLET VALVE, 1/4"	3
42	STRAINER, 1/4"	1
43	STRAINER, 1/2"	1
44	PILOT PRESSURE REGULATOR	1
45	PRESSURE RELIEF VALVE	1
46	EMERGENCY RELEASE TAG KIT	1



Refer to page 1 for  
General Notes and  
Notes 1 through 4.

Order Flow Control Valve  
Separately

Figure 1  
4" Pilot Regulating Trim for Model J Flow Control Valve  
(Part numbers 26521-1 and 26521-2)



# TECHNICAL DATA

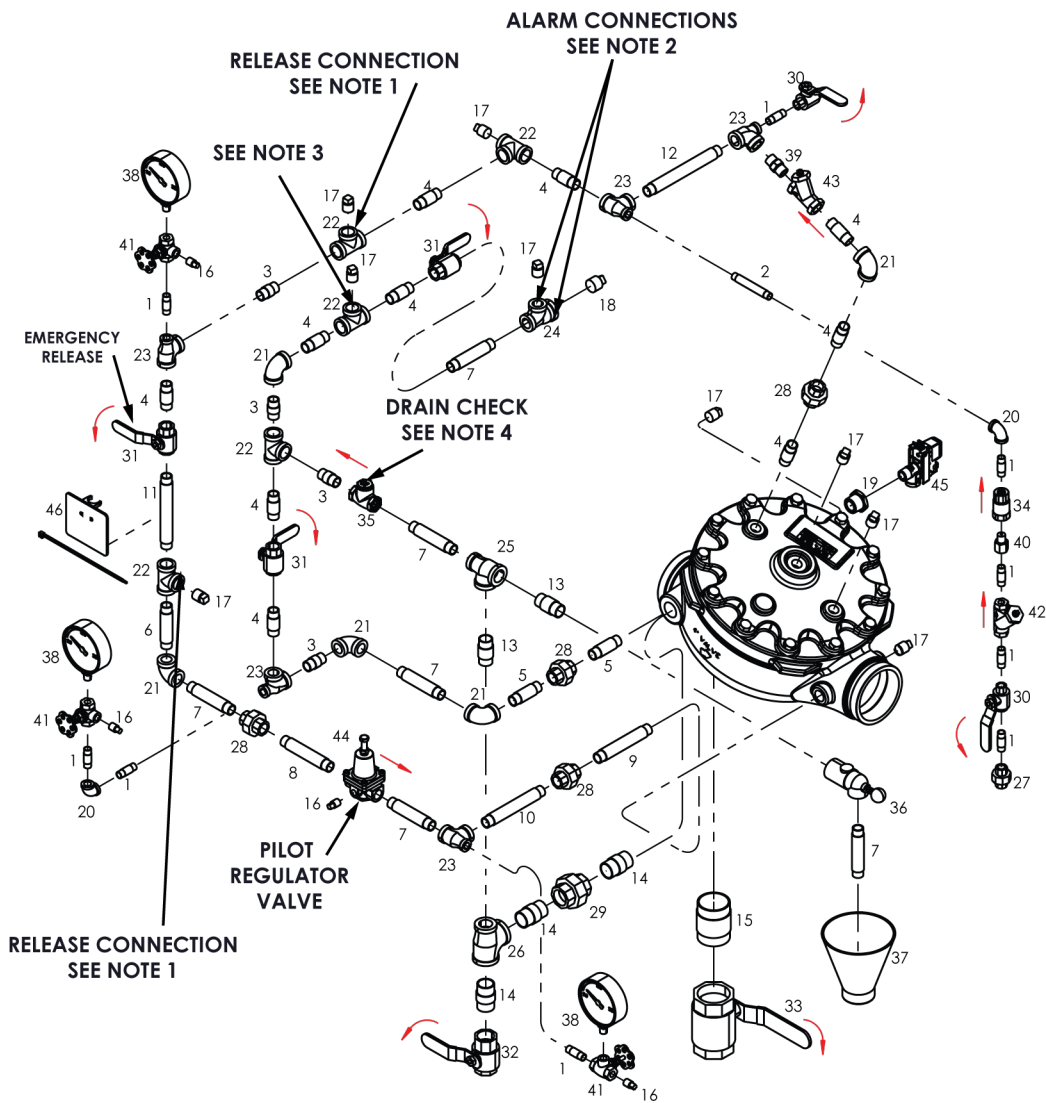
## PILOT REGULATING FLOW CONTROL HORIZONTAL TRIM 4" (DN100) MODEL J FLOW CONTROL VALVE

The Viking Corporation, 210 N Industrial Park Drive, Hastings MI 49058

Telephone: 269-945-9501 Technical Services: 877-384-5464 Fax: 269-818-1680 Email: techsvcs@vikingcorp.com

Visit the Viking website for the latest edition of this technical data page: www.vikinggroupinc.com

ITEM	BOM DESCRIPTION	REQ.
1	NIPPLE, 1/4" X 1-1/2"	9
2	NIPPLE, 1/4" X 3-1/2"	1
3	NIPPLE, 1/2" X 1-1/2"	4
4	NIPPLE, 1/2" X 2"	10
5	NIPPLE, 1/2" X 2-1/2"	2
6	NIPPLE, 1/2" X 3-1/2"	1
7	NIPPLE, 1/2" X 4"	6
8	NIPPLE, 1/2" X 4-1/2"	1
9	NIPPLE, 1/2" X 5"	1
10	NIPPLE, 1/2" X 5-1/2"	1
11	NIPPLE, 1/2" X 6"	1
12	NIPPLE, 1/2" X 7"	1
13	NIPPLE, 3/4" X 2"	2
14	NIPPLE, 1" X 2"	3
15	NIPPLE, 2" X 3"	1
16	PLUG, 1/4"	4
17	PLUG, 1/2"	9
18	PLUG, 3/4"	1
19	REDUCING BUSHING, 1" X 1/2"	1
20	ELBOW, 1/4"	2
21	ELBOW, 1/2"	5
22	TEE, 1/2"	5
23	TEE, 1/2" X 1/4" X 1/2"	5
24	TEE, 3/4" X 1/2" X 1/2"	1
25	TEE, 3/4" X 1/2" X 3/4"	1
26	TEE, 1" X 3/4" X 1"	1
27	UNION, 1/4"	1
28	UNION, 1/2"	4
29	UNION, 1"	1
30	BALL VALVE, 1/4"	2
31	BALL VALVE, 1/2"	3
32	BALL VALVE, 1"	1
33	BALL VALVE, 2"	1
34	CHECK VALVE, 1/4"	1
35	DRAIN CHECK VALVE	1
36	DRIP CHECK VALVE	1
37	DRAIN CUP	1
38	PRESSURE GAUGE, WATER	3
39	RESTRICTION, .0625	1
40	RESTRICTION, 1/16"	1
41	SIDE OUTLET VALVE, 1/4"	3
42	STRAINER, 1/4"	1
43	STRAINER, 1/2"	1
44	PILOT PRESSURE REGULATOR	1
45	PRESSURE RELIEF VALVE	1
46	EMERGENCY RELEASE TAG KIT	1



Refer to page 1 for  
General Notes and  
Notes 1 through 4.

Order Flow Control Valve  
Separately

Figure 2  
4" Stainless Steel Pilot Regulating Trim for Model J Flow Control Valve  
(Part number 26521-3)



# TECHNICAL DATA

## PILOT REGULATING FLOW CONTROL HORIZONTAL TRIM

4" (DN100) MODEL J  
FLOW CONTROL VALVE

The Viking Corporation, 210 N Industrial Park Drive, Hastings MI 49058  
 Telephone: 269-945-9501 Technical Services: 877-384-5464 Fax: 269-818-1680 Email: techsvcs@vikingcorp.com  
 Visit the Viking website for the latest edition of this technical data page: www.vikinggroupinc.com

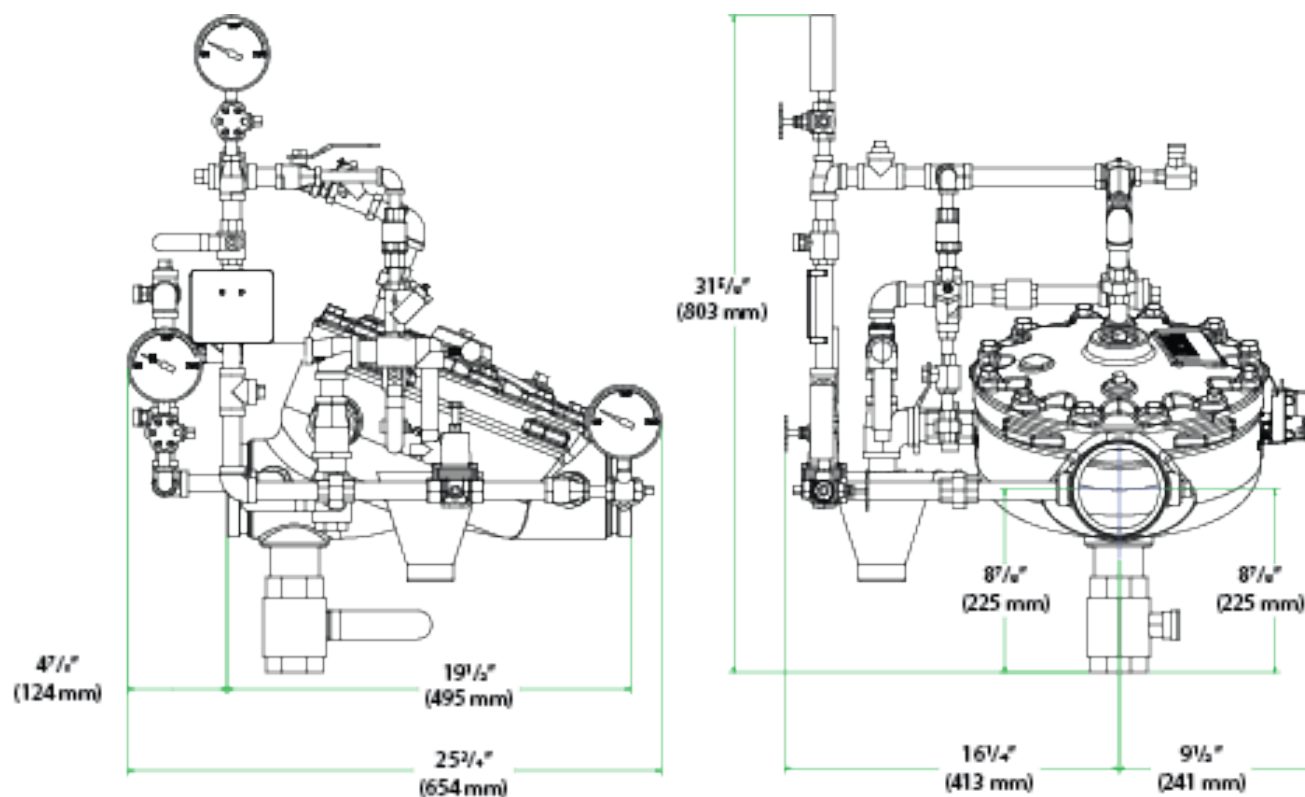


Figure 3 - Installation Dimensions