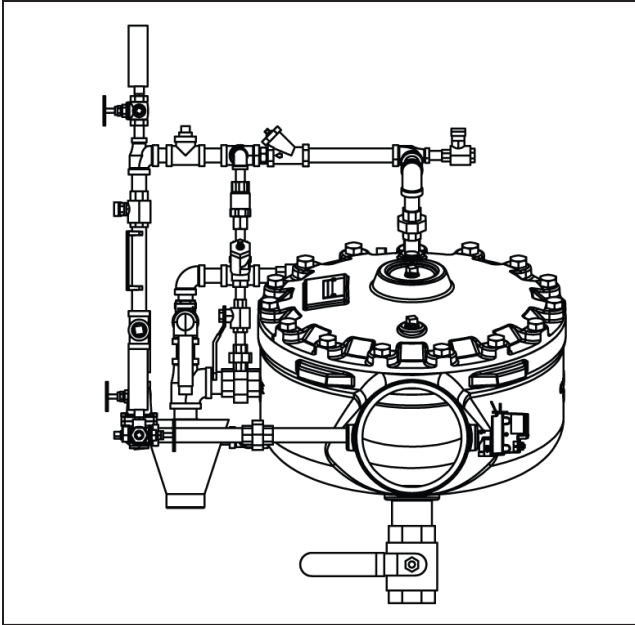




TECHNICAL DATA

PILOT REGULATING FLOW CONTROL HORIZONTAL TRIM 6" (DN150) MODEL J STRAIGHT THROUGH FLOW CONTROL VALVE

The Viking Corporation, 210 N Industrial Park Drive, Hastings MI 49058
 Telephone: 269-945-9501 Technical Services: 877-384-5464 Fax: 269-818-1680 Email: techsvcs@vikingcorp.com
 Visit the Viking website for the latest edition of this technical data page: www.vikinggroupinc.com



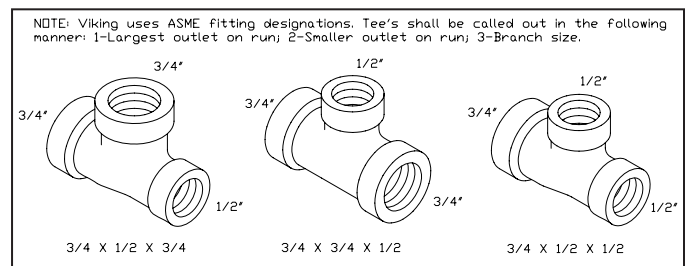
This Trim Chart is for use with the following Viking Trim Sets			
Valve Size	Galvanized Trim Part No.	Brass Trim Part No.	Stainless Steel Part No.
6" (DN150)	26522-1	26522-2	26522-3
This trim is for use with the following Release Module Trim Kits			
Release Type	Galvanized	Brass	Stainless Steel
Electric	10830	10832	10831
Note: Nipple lengths for brass trim may vary from those shown on this Trim Chart.			

WARNING: Cancer and Reproductive Harm
www.P65Warnings.ca.gov

Notes: For use with Trim Charts on Pages 2 and 3

General Notes:

- Valve must be trimmed as shown. Any deviation from trim size or arrangement may affect the proper operation of the valve.
- Dimensions in parentheses are millimeters.
- Viking uses ANSI tee designations (large outlet on run, small outlet on run, side outlet) in all trim call-outs.



Note 1: Release System connection.

Note 2: Alarm Connections: Connect alarm line piping to 3/4" (20 mm) NPT outlet. When using a Water Motor Alarm, a strainer is required. 1/2" (15 mm) NPT outlet is for electric Alarm Pressure Switch.

Note 3: Optional non-interruptible connection for Alarm Pressure Switch to activate electric alarm panel. Note: After the Deluge Valve trips, this location cannot be shut off. Alarms may operate until the outlet chamber of the deluge valve is de-pressurized below the set point of the Alarm Pressure Switch.

Note 4: Viking Drain Check Valve is manufactured with a 0.067" (1.7 mm) orifice to allow alarm line to drain. DO NOT substitute. Check label for proper orientation.



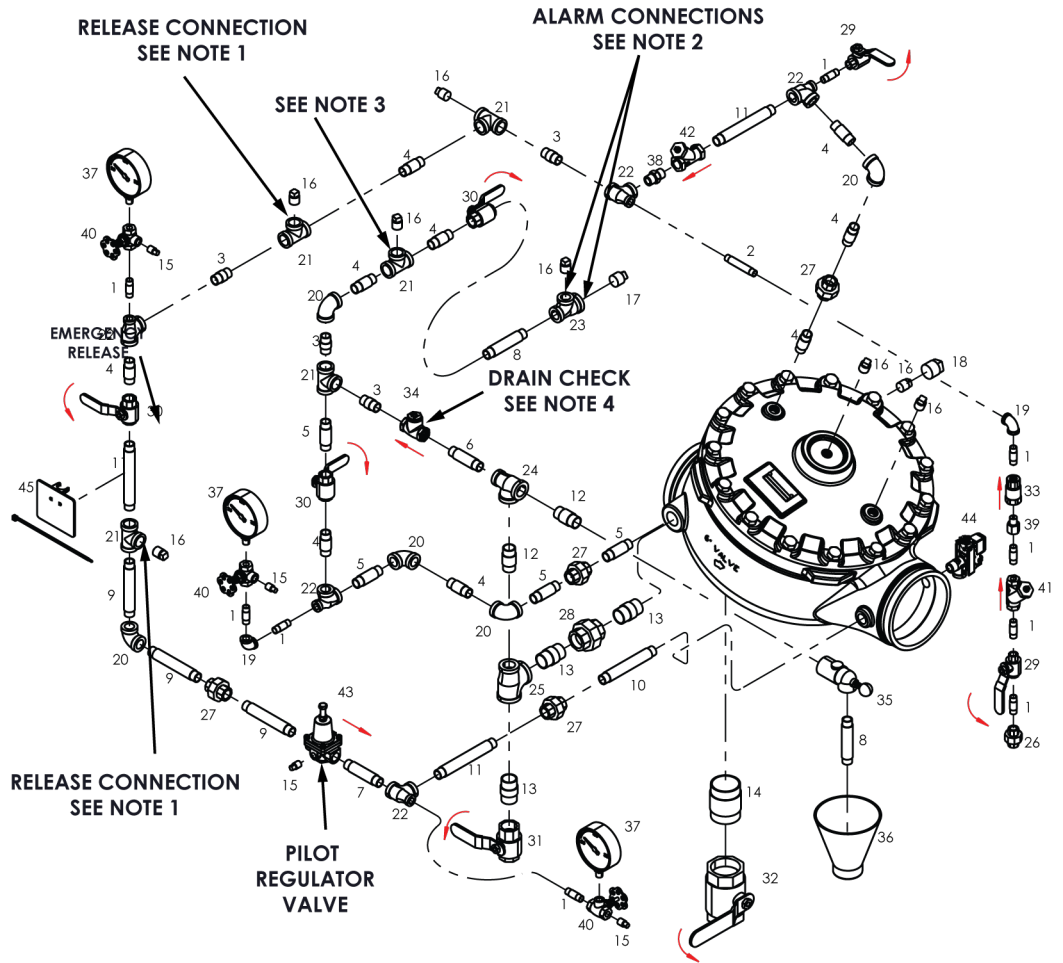
TECHNICAL DATA

PILOT REGULATING FLOW CONTROL HORIZONTAL TRIM 6" (DN150) MODEL J STRAIGHT THROUGH FLOW CONTROL VALVE

The Viking Corporation, 210 N Industrial Park Drive, Hastings MI 49058

Telephone: 269-945-9501 Technical Services: 877-384-5464 Fax: 269-818-1680 Email: techsvcs@vikingcorp.com
Visit the Viking website for the latest edition of this technical data page: www.vikinggroupinc.com

ITEM	BOM DESCRIPTION	REQ.
1	NIPPLE, 1/4" X 1-1/2"	9
2	NIPPLE, 1/4" X 3"	1
3	NIPPLE, 1/2" X 1-1/2"	4
4	NIPPLE, 1/2" X 2"	9
5	NIPPLE, 1/2" X 2-1/2"	4
6	NIPPLE, 1/2" X 3"	1
7	NIPPLE, 1/2" X 3-1/2"	1
8	NIPPLE, 1/2" X 4"	2
9	NIPPLE, 1/2" X 5"	3
10	NIPPLE, 1/2" X 5-1/2"	1
11	NIPPLE, 1/2" X 6"	3
12	NIPPLE, 3/4" X 2"	2
13	NIPPLE, 1" X 2"	3
14	NIPPLE, 2" X 3"	1
15	PLUG, 1/4"	4
16	PLUG, 1/2"	8
17	PLUG, 3/4"	1
18	PLUG, 1"	1
19	ELBOW, 1/4"	2
20	ELBOW, 1/2"	5
21	TEE, 1/2"	5
22	TEE, 1/2" X 1/4" X 1/2"	5
23	TEE, 1/2" X 1/2" X 1/2"	1
24	TEE, 3/4" X 1/2" X 3/4"	1
25	TEE, 1" X 3/4" X 1"	1
26	UNION, 1/4"	1
27	UNION, 1/2"	4
28	UNION, 1"	1
29	BALL VALVE, 1/4"	2
30	BALL VALVE, 1/2"	3
31	BALL VALVE, 1"	1
32	BALL VALVE, 2"	1
33	CHECK VALVE, 1/4"	1
34	DRAIN CHECK VALVE	1
35	DRIP CHECK VALVE	1
36	DRAIN CUP	1
37	PRESSURE GAUGE, WATER	3
38	RESTRICTION, .0625	1
39	RESTRICTION, 1/16"	1
40	SIDE OUTLET VALVE, 1/4"	3
41	STRAINER, 1/4"	1
42	STRAINER, 1/2"	1
43	PILOT PRESSURE REGULATOR	1
44	PRESSURE RELIEF VALVE	1
45	EMERGENCY RELEASE TAG KIT	1



Refer to page 1 for
General Notes and
Notes 1 through 4.

Order Flow Control Valve
Separately

Figure 1
6" Pilot Regulating Horizontal Trim for Model J Flow Control Valve
(Part numbers 26522-1 and 26522-2)



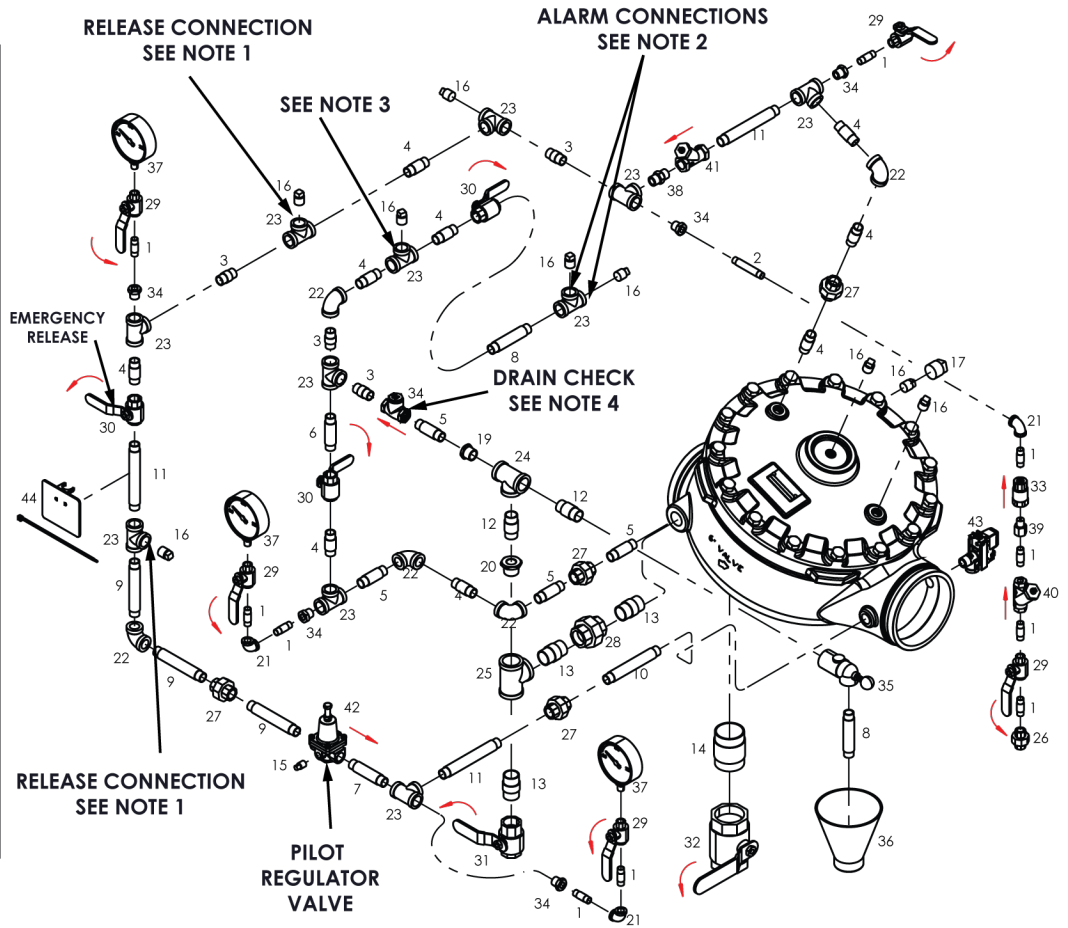
TECHNICAL DATA

PILOT REGULATING FLOW CONTROL HORIZONTAL TRIM 6" (DN150) MODEL J STRAIGHT THROUGH FLOW CONTROL VALVE

The Viking Corporation, 210 N Industrial Park Drive, Hastings MI 49058

Telephone: 269-945-9501 Technical Services: 877-384-5464 Fax: 269-818-1680 Email: techsvcs@vikingcorp.com
Visit the Viking website for the latest edition of this technical data page: www.vikinggroupinc.com

ITEM	BOM DESCRIPTION	REQ.
1	NIPPLE, 1/4" X 1-1/2"	10
2	NIPPLE, 1/4" X 3"	1
3	NIPPLE, 1/2" X 1-1/2"	4
4	NIPPLE, 1/2" X 2"	9
5	NIPPLE, 1/2" X 2-1/2"	4
6	NIPPLE, 1/2" X 3"	1
7	NIPPLE, 1/2" X 3-1/2"	1
8	NIPPLE, 1/2" X 4"	2
9	NIPPLE, 1/2" X 5"	3
10	NIPPLE, 1/2" X 5-1/2"	1
11	NIPPLE, 1/2" X 6"	3
12	NIPPLE, 3/4" X 2"	2
13	NIPPLE, 1" X 2"	3
14	NIPPLE, 2" X 3"	1
15	PLUG, 1/4"	1
16	PLUG, 1/2"	9
17	PLUG, 1"	1
19	REDUCING BUSHING, 1/2" X 1/4"	5
20	REDUCING BUSHING, 3/4" X 1/2"	1
21	REDUCING BUSHING, 1" X 1/2"	1
22	ELBOW, 1/2"	5
23	TEE, 1/2"	11
24	TEE, 3/4"	1
25	TEE, 1"	1
26	UNION, 1/4"	1
27	UNION, 1/2"	4
28	UNION, 1"	1
29	BALL VALVE, 1/4"	5
30	BALL VALVE, 1/2"	3
31	BALL VALVE, 1"	1
32	BALL VALVE, 2"	1
33	CHECK VALVE, 1/4"	1
34	DRAIN CHECK VALVE	1
35	DRIP CHECK VALVE	1
36	DRAIN CUP	1
37	PRESSURE GAUGE, WATER	3
38	RESTRICTION, .0625	1
39	RESTRICTION, 1/16"	1
40	STRAINER, 1/4"	1
41	STRAINER, 1/2"	1
42	PILOT PRESSURE REGULATOR	1
43	PRESSURE RELIEF VALVE	1
44	EMERGENCY RELEASE TAG KIT	1



Refer to page 1 for
General Notes and
Notes 1 through 4.

Order Flow Control Valve
Separately

Figure 2

6" Stainless Steel Pilot Regulating Horizontal Trim for Model J Flow Control Valve
(Part number 26522-3)



TECHNICAL DATA

PILOT REGULATING FLOW CONTROL HORIZONTAL TRIM 6" (DN150) MODEL J STRAIGHT THROUGH FLOW CONTROL VALVE

The Viking Corporation, 210 N Industrial Park Drive, Hastings MI 49058
 Telephone: 269-945-9501 Technical Services: 877-384-5464 Fax: 269-818-1680 Email: techsvcs@vikingcorp.com
 Visit the Viking website for the latest edition of this technical data page: www.vikinggroupinc.com

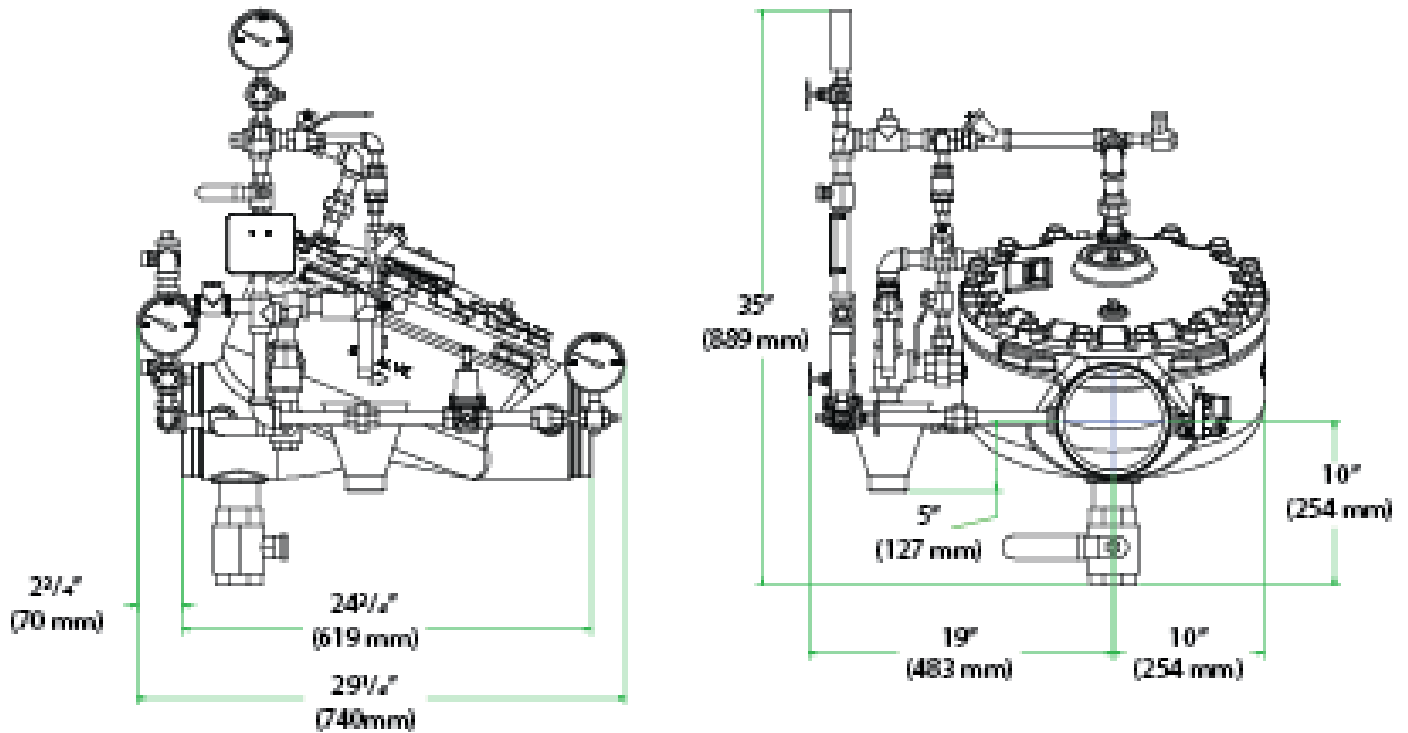


Figure 3 - Installation Dimensions