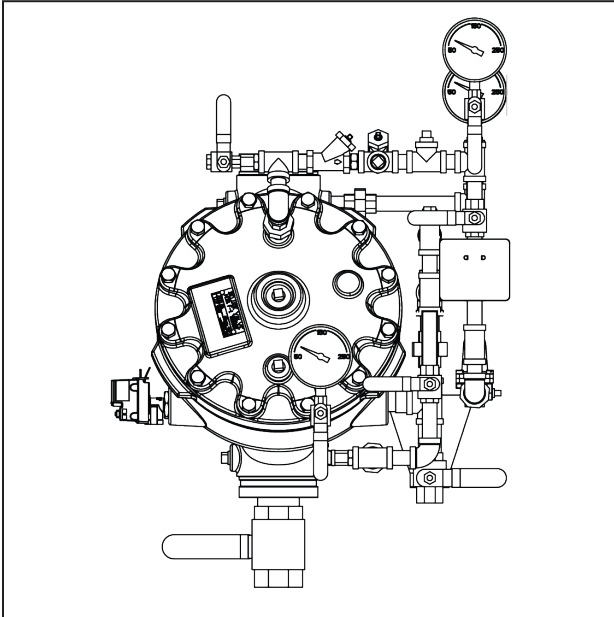




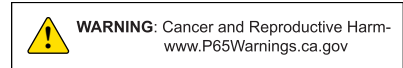
TECHNICAL DATA

PILOT REGULATING FLOW CONTROL TRIM 4" (DN100) MODEL J FLOW CONTROL VALVE

The Viking Corporation, 210 N Industrial Park Drive, Hastings MI 49058
 Telephone: 269-945-9501 Technical Services: 877-384-5464 Fax: 269-818-1680 Email: techsvcs@vikingcorp.com
 Visit the Viking website for the latest edition of this technical data page: www.vikinggroupinc.com



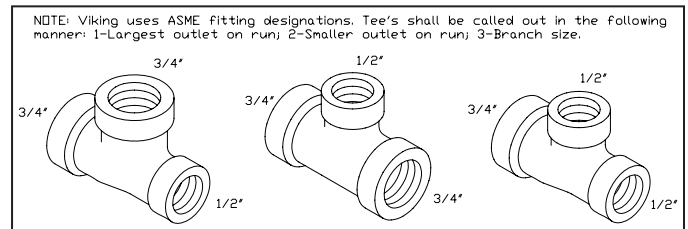
This Trim Chart is for use with the following Viking Trim Sets			
Valve Size	Galvanized Trim Part No.	Brass Trim Part No.	Stainless Steel Part No.
4" (DN100)	26552-1	26552-2	26552-3
This trim is for use with the following Release Module Trim Kits			
Release Type	Galvanized	Brass	Stainless Steel
Electric	10830	10832	10831
Note: Nipple lengths for brass trim may vary from those shown on this Trim Chart.			



Notes: For use with Trim Charts on Pages 2 and 3

General Notes:

- Valve must be trimmed as shown. Any deviation from trim size or arrangement may affect the proper operation of the valve.
- Dimensions in parenthesis are millimeters.
- Viking uses ANSI tee designations (large outlet on run, small outlet on run, side outlet) in all trim call-outs.



Note 1: Release System connection.

Note 2: Alarm Connections: Connect alarm line piping to 3/4" (20 mm) NPT outlet. When using a Water Motor Alarm, a strainer is required. 1/2" (15 mm) NPT outlet is for electric Alarm Pressure Switch.

Note 3: Optional non-interruptible connection for Alarm Pressure Switch to activate electric alarm panel. Note: After the Deluge Valve trips, this location cannot be shut off. Alarms may operate until the outlet chamber of the deluge valve is de-pressurized below the set point of the Alarm Pressure Switch.

Note 4: Viking Drain Check Valve is manufactured with a 0.067" (1.7 mm) orifice to allow alarm line to drain. Do not substitute. Check label for proper orientation.



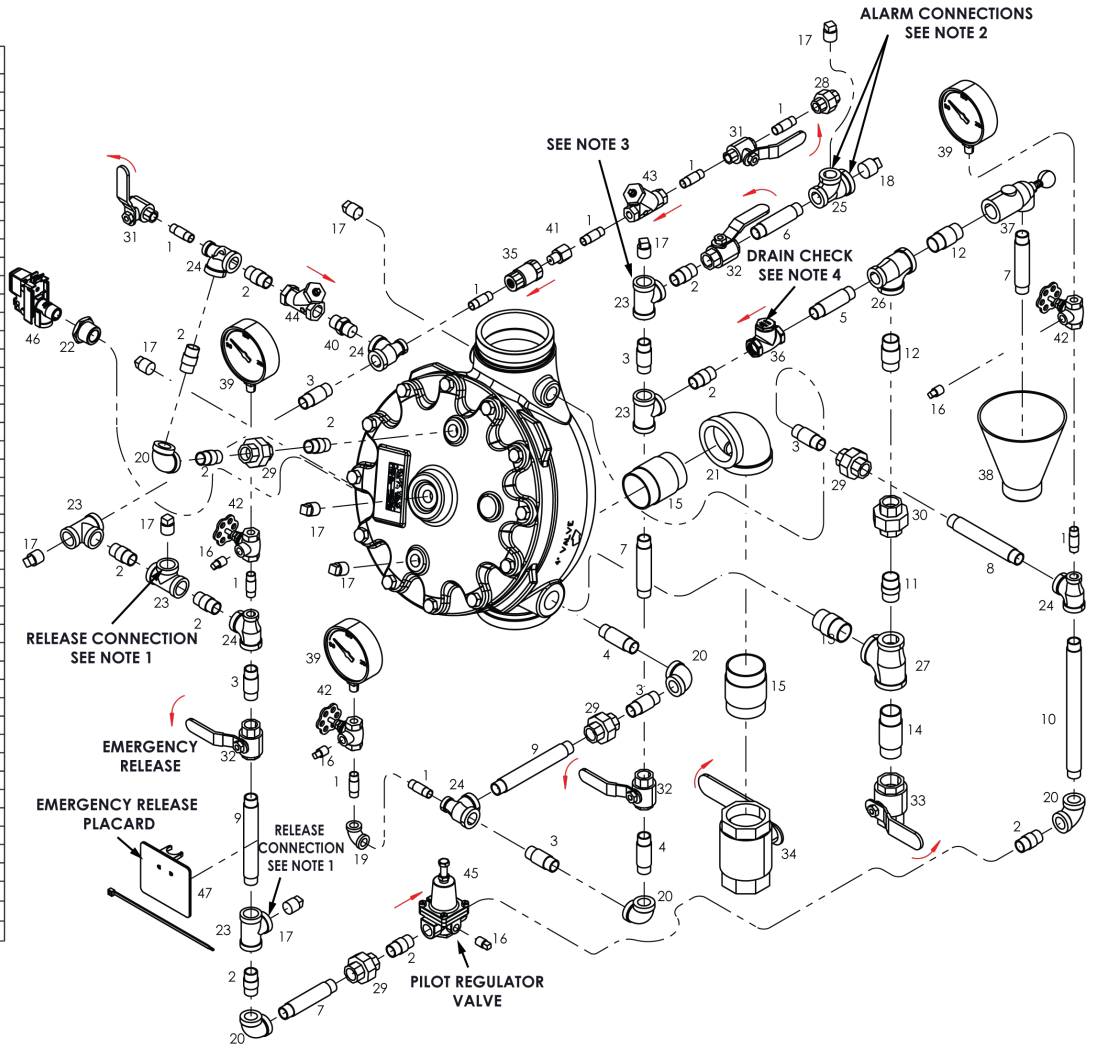
TECHNICAL DATA

PILOT REGULATING FLOW CONTROL TRIM 4" (DN100) MODEL J FLOW CONTROL VALVE

The Viking Corporation, 210 N Industrial Park Drive, Hastings MI 49058

Telephone: 269-945-9501 Technical Services: 877-384-5464 Fax: 269-818-1680 Email: techsvcs@vikingcorp.com
Visit the Viking website for the latest edition of this technical data page: www.vikinggroupinc.com

ITEM	BOM DESCRIPTION	QTY
1	NIPPLE, 1/4" X 1-1/2"	9
2	NIPPLE, 1/2" X 1-1/2"	11
3	NIPPLE, 1/2" X 2"	6
4	NIPPLE, 1/2" X 2-1/2"	2
5	NIPPLE, 1/2" X 3"	1
6	NIPPLE, 1/2" X 3-1/2"	1
7	NIPPLE, 1/2" X 4"	3
8	NIPPLE, 1/2" X 5-1/2"	1
9	NIPPLE, 1/2" X 6"	2
10	NIPPLE, 1/2" X 9-1/2"	1
11	NIPPLE, 3/4" X 1-1/2"	1
12	NIPPLE, 3/4" X 2"	2
13	NIPPLE, 1" X 3"	1
14	NIPPLE, 1" X 3"	1
15	NIPPLE, 2" X 3"	2
16	PLUG, 1/4"	4
17	PLUG, 1/2"	9
18	PLUG, 3/4"	1
19	ELBOW, 1/4"	1
20	ELBOW, 1/2"	5
21	ELBOW, 2"	1
22	REDUCING BUSHING, 1" X 1/2"	1
23	TEE, 1/2"	5
24	TEE, 1/2" X 1/4" X 1/2"	5
25	TEE, 3/4" X 1/2" X 1/2"	1
26	TEE, 3/4" X 1/2" X 3/4"	1
27	TEE, 1" X 3/4" X 1"	1
28	UNION, 1/4"	1
29	UNION, 1/2"	4
30	UNION, 3/4"	1
31	BALL VALVE, 1/4"	2
32	BALL VALVE, 1/2"	3
33	BALL VALVE, 1"	1
34	BALL VALVE, 2"	1
35	CHECK VALVE, 1/4"	1
36	DRAIN CHECK VALVE	1
37	DRIP CHECK VALVE	1
38	DRAIN CUP	1
39	PRESSURE GAUGE, WATER	3
40	RESTRICTION, .0625	1
41	RESTRICTION, 1/16"	1
42	SIDE OUTLET VALVE, 1/4"	3
43	STRAINER, 1/4"	1
44	STRAINER, 1/2"	1
45	PILOT PRESSURE REGULATOR	1
46	PRESSURE RELIEF VALVE	1
47	EMERGENCY RELEASE TAG KIT	1



Order Flow Control Valve Separately

Refer to page 1 for General Notes and Notes 1 through 4.

Figure 1
4" Pilot Regulating Trim for Model J Flow Control Valve
(Part Numbers 26552-1 and 26552-2)



TECHNICAL DATA

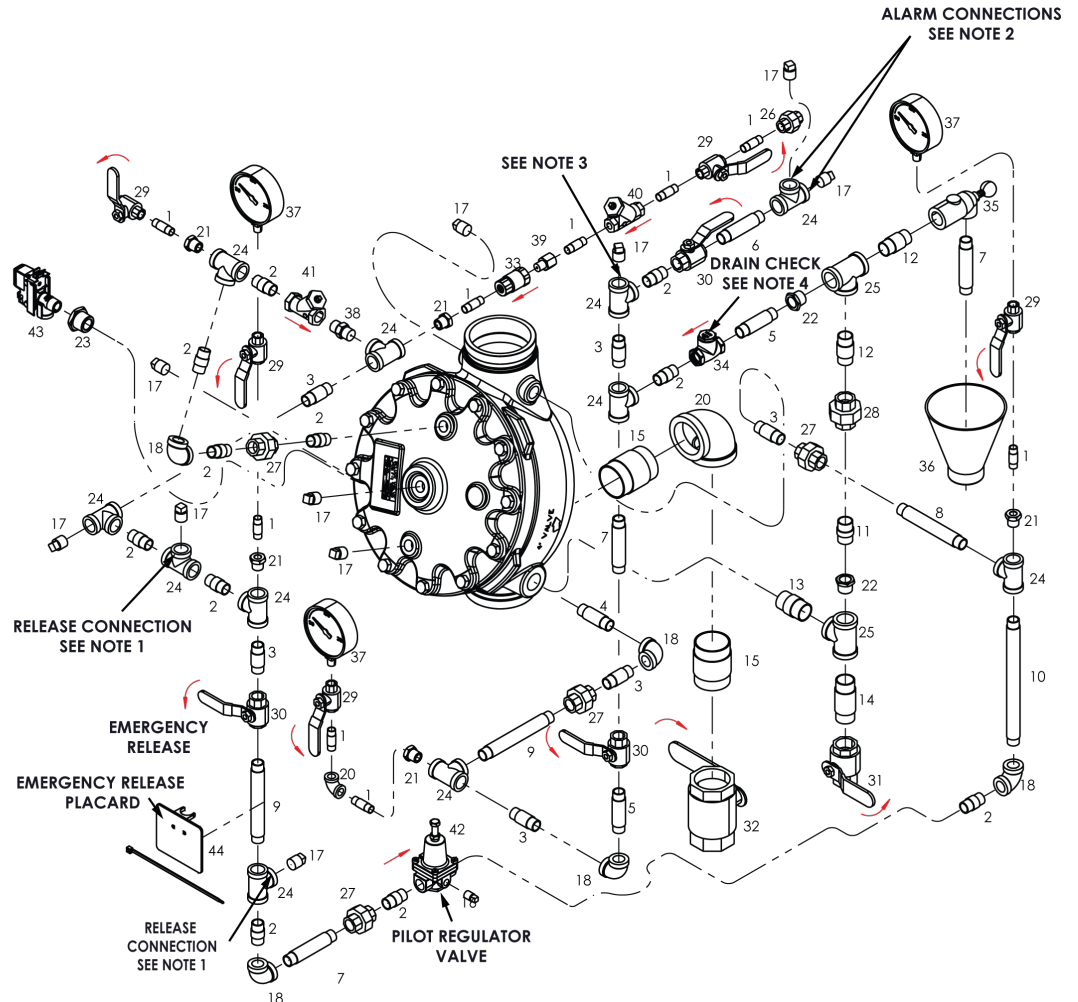
PILOT REGULATING FLOW CONTROL TRIM 4" (DN100) MODEL J FLOW CONTROL VALVE

The Viking Corporation, 210 N Industrial Park Drive, Hastings MI 49058

Telephone: 269-945-9501 Technical Services: 877-384-5464 Fax: 269-818-1680 Email: techsvcs@vikingcorp.com

Visit the Viking website for the latest edition of this technical data page: www.vikinggroupinc.com

ITEM	BOM DESCRIPTION	QTY
1	NIPPLE, 1/4" X 1-1/2"	9
2	NIPPLE, 1/2" X 1-1/2"	11
3	NIPPLE, 1/2" X 2"	6
4	NIPPLE, 1/2" X 2-1/2"	1
5	NIPPLE, 1/2" X 3"	2
6	NIPPLE, 1/2" X 3-1/2"	1
7	NIPPLE, 1/2" X 4"	3
8	NIPPLE, 1/2" X 5-1/2"	1
9	NIPPLE, 1/2" X 6"	2
10	NIPPLE, 1/2" X 9-1/2"	1
11	NIPPLE, 3/4" X 1-1/2"	1
12	NIPPLE, 3/4" X 2"	2
13	NIPPLE, 1" X 2"	1
14	NIPPLE, 1" X 3"	1
15	NIPPLE, 2" X 3"	2
16	PLUG, 1/4"	1
17	PLUG, 1/2"	10
18	ELBOW, 1/2"	5
20	ELBOW, 1/4"	1
20	ELBOW, 2"	1
21	REDUCING BUSHING, 1/2" X 1/4"	5
22	REDUCING BUSHING, 3/4" X 1/2"	2
23	REDUCING BUSHING, 1" X 1/2"	1
24	TEE, 1/2"	11
25	TEE, 3/4"	2
26	UNION, 1/4"	1
27	UNION, 1/2"	4
28	UNION, 3/4"	1
29	BALL VALVE, 1/4"	5
30	BALL VALVE, 1/2"	3
31	BALL VALVE, 1"	1
32	BALL VALVE, 2"	1
33	CHECK VALVE, 1/4"	1
34	DRAIN CHECK VALVE	1
35	DRIP CHECK VALVE	1
36	DRAIN CUP	1
37	PRESSURE GAUGE, WATER	3
38	RESTRICTION, .0625	1
39	RESTRICTION, 1/16"	1
40	STRAINER, 1/4"	1
41	STRAINER, 1/2"	1
42	PILOT PRESSURE REGULATOR	1
43	PRESSURE RELIEF VALVE	1
44	EMERGENCY RELEASE TAG KIT	1



Order Flow Control Valve Separately

Refer to page 1 for General Notes and Notes 1 through 4.

Figure 2
4" Pilot Regulating Trim for Model J Flow Control Valve
(Part Numbers 26552-3)



TECHNICAL DATA

PILOT REGULATING FLOW CONTROL TRIM

4" (DN100) MODEL J
FLOW CONTROL VALVE

The Viking Corporation, 210 N Industrial Park Drive, Hastings MI 49058
 Telephone: 269-945-9501 Technical Services: 877-384-5464 Fax: 269-818-1680 Email: techsvcs@vikingcorp.com
 Visit the Viking website for the latest edition of this technical data page: www.vikinggroupinc.com

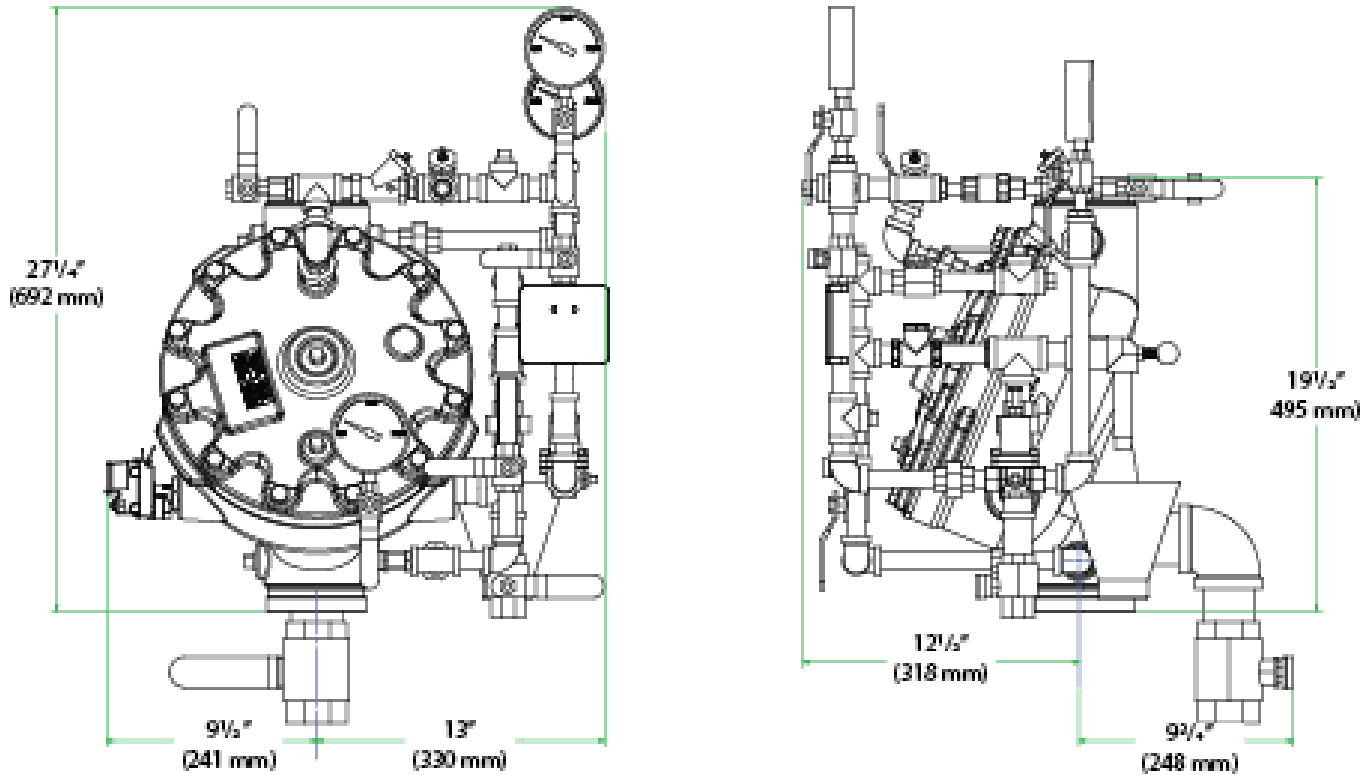


Figure 3 - Installation Dimensions