



## TECHNICAL DATA

## PNEUMATIC LIMIT SWITCH

The Viking Corporation, 210 N Industrial Park Drive, Hastings MI 49058

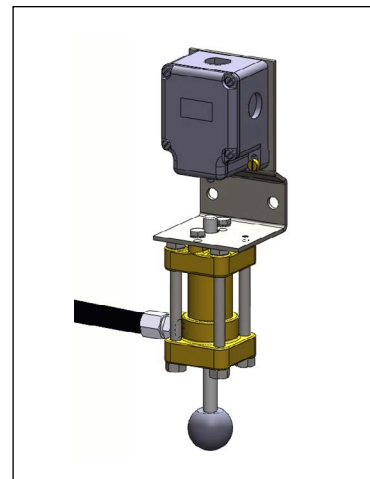
Telephone: 269-945-9501 Technical Services: 877-384-5464 Fax: 269-818-1680 Email: techsvcs@vikingcorp.com

Visit the Viking website for the latest edition of this technical data page: [www.vikinggroupinc.com](http://www.vikinggroupinc.com)

### 1. DESCRIPTION

For Viking Oxeo Fire Extinguishing Systems, when a manual release device is installed, a pneumatically actuated limit switch (pressure switch) is required on the pipeline to indicate a release per NFPA 2001.

- As extinguishing agent enters the pipeline, the pressure of the agent opens or closes the floating contacts of the limit switch (depending on whether it is set for N.O. or N.C. operation).
- The status of this contact can be monitored by the agent release control panel.
- The dry contacts can be used for different purposes, triggered via the pneumatic discharge pressure switch when connected electronically to the detection system.
- These dry contacts can be used for alarm notification, shutting dampers, closing doors, etc.
- The pushbutton on the pneumatic discharge pressure switch is for testing purposes.
- The pilot line hose connects the pneumatic discharge pressure switch to the pipeline.



### 2. LISTINGS AND APPROVALS



UL Listed - EX5248 (Oxeo PR, Oxeo CF)



FM Approved (Oxeo PR, Oxeo CF)



WARNING: Cancer and Reproductive Harm-  
[www.P65Warnings.ca.gov](http://www.P65Warnings.ca.gov)

### 3. TECHNICAL DATA

#### Specifications - Part Number 826758D

Discharge Pressure Switch:

- Switch System: 2 adjustable contacts
- Contact Types:
  - Standard setting is 2 normally open (NO)
  - Can be set for 2 normally closed (NC)
- Working Pressure: 2030 psi (140 bar)
- Maximum Rated Voltage: 500V
- Maximum Rated Current: 16A
- IP 65 Enclosure
- Temperature range: -4 °F to 122 °F (-20 °C to +50 °C)

**NOTE: Pneumatic limited switch must be assembled on the low-pressure pipe network (for PR systems only).**

#### Material Standards

Discharge Pressure Switch:

- Housing: Alloy die-cast metal
- Bracket: Steel
- Bolts: Zinc plated steel
- Cylinder: Brass
- Contact Material: Silver
- Pushbutton: Plastic
- Hose: Rubber hydraulic hose with galvanized steel ends
- Hose Adapters: Galvanized steel

**NOTE: The Pneumatic Discharge Pressure Switch is factory set for NO operation. It may be switched to NC operation: Use a flathead screwdriver to remove the switch cover and adjust the two contacts. Verify that the switch is set for NC operation and then replace the switch cover.**

TABLE 1: PART NUMBERS

Description	Part No.
Pneumatic Limit Switch	826758D



**TECHNICAL DATA**

**PNEUMATIC LIMIT SWITCH**

The Viking Corporation, 210 N Industrial Park Drive, Hastings MI 49058  
 Telephone: 269-945-9501 Technical Services: 877-384-5464 Fax: 269-818-1680 Email: techsvcs@vikingcorp.com  
 Visit the Viking website for the latest edition of this technical data page: www.vikinggroupinc.com

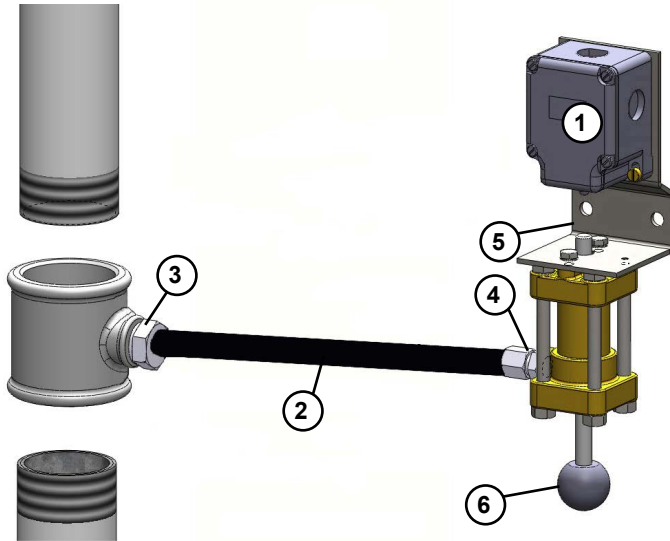
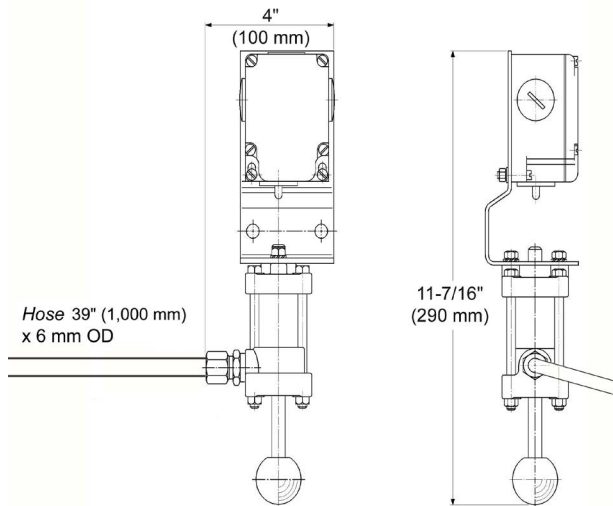
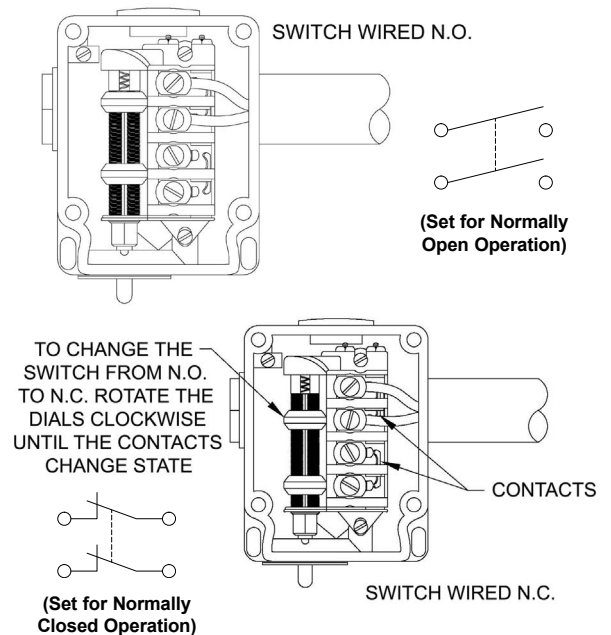


TABLE 2: Components	
Ref	Description
1	Pneumatic Discharge Pressure Switch
2	Pilot hose 39" (1,000 mm) long
3	Adapter, 1/4" NPT to M12 x 1.5 Hose
4	Adapter, Pressure Switch G 1/4 to M12 x 1.5 Hose
5	Wall mount bracket
6	Push-button

**Figure 1: Pneumatic Discharge Pressure Switch Components**



**Figure 2: Pneumatic Discharge Pressure Switch Dimensions**



**Figure 3: Pressure Switch Wiring Diagrams**