




TRIM DIAGRAM

MODEL VXD DELUGE WITH PNEUMATIC RELEASE 8"

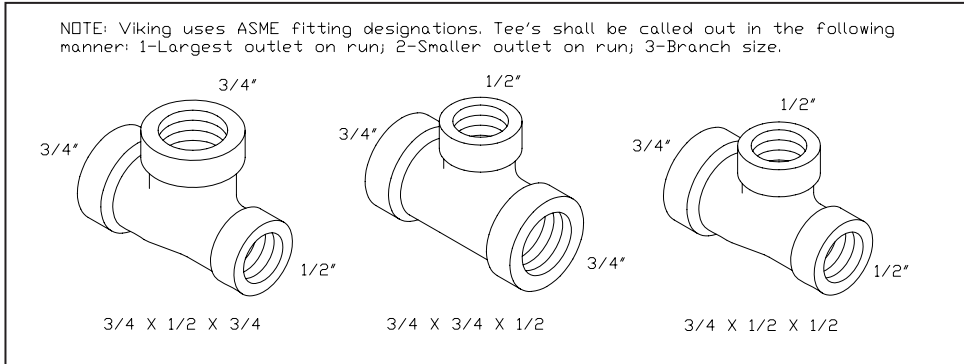
The Viking Corporation, 210 N Industrial Park Drive, Hastings MI 49058
 Telephone: 269-945-9501 Technical Services: 877-384-5464 Fax: 269-818-1680 Email: techsvcs@vikingcorp.com
 Visit the Viking website for the latest edition of this technical data page.

 **WARNING:** Cancer and Reproductive Harm-
www.P65Warnings.ca.gov



General Notes:

- Valve must be trimmed as shown. Any deviation from trim size or arrangement may affect the proper operation of the valve.
- All pipe, 3/4" (20 mm) and smaller, shall be galvanized steel except when other materials are specified in the Technical Data for the system used.
- Viking uses ASME fitting designations. Tees shall be called out in the following order: 1 - Largest outlet on run; 2 - Smaller outlet on run; 3 - Branch size.

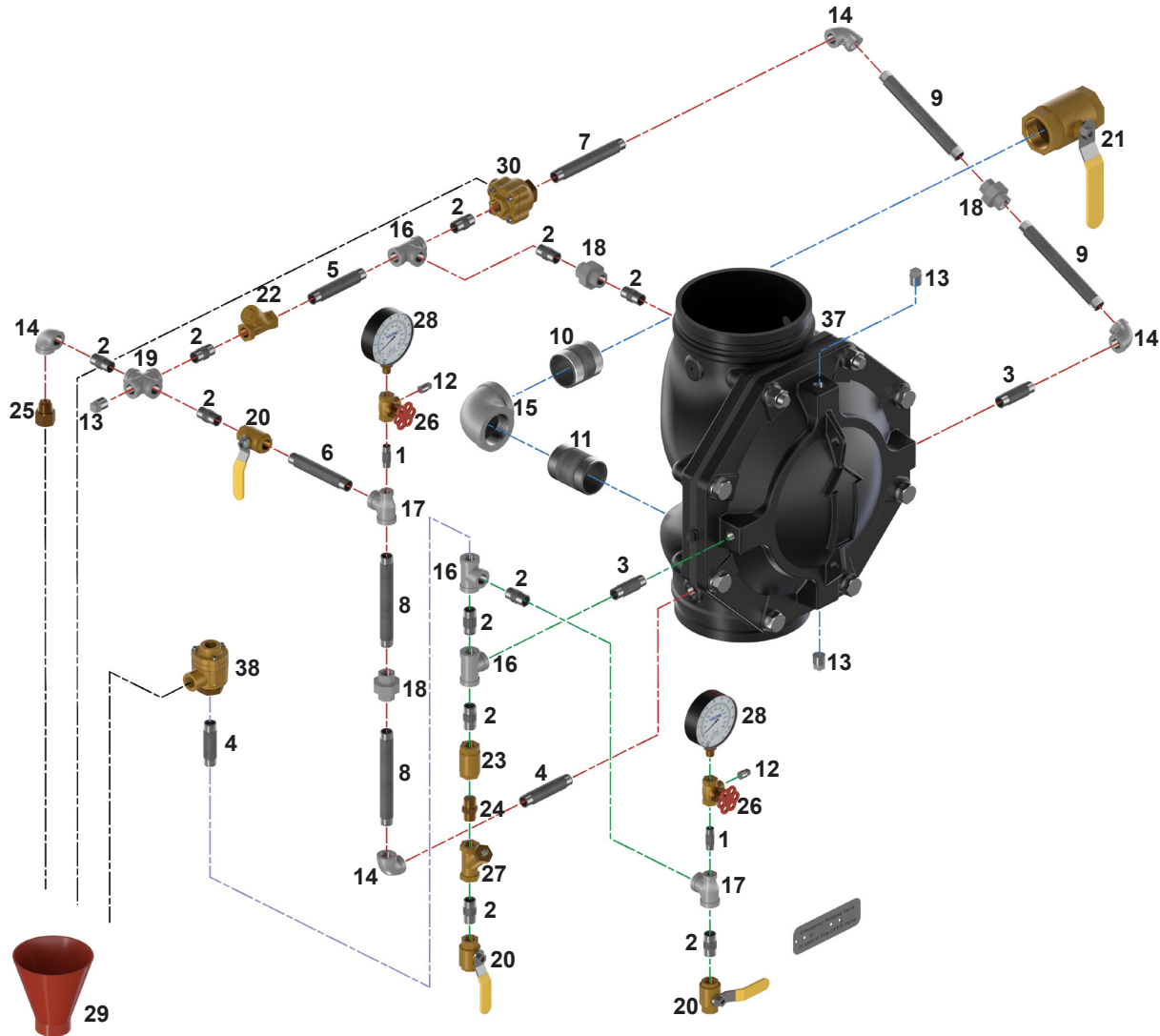




TRIM DIAGRAM

MODEL VXD DELUGE WITH PNEUMATIC RELEASE 8"

The Viking Corporation, 210 N Industrial Park Drive, Hastings MI 49058
 Telephone: 269-945-9501 Technical Services: 877-384-5464 Fax: 269-818-1680 Email: techsvcs@vikingcorp.com
 Visit the Viking website for the latest edition of this technical data page.



| # | Description/Specification | Metric Length | Quantity |
|----|---------------------------|---------------|----------|
| 1 | 1/4" X 1-1/2" | 38 mm | 2 |
| 2 | 1/2" X 1-1/2" | 38 mm | 11 |
| 3 | 1/2" X 2-1/2" | 64 mm | 2 |
| 4 | 1/2" X 4" | 102 mm | 2 |
| 5 | 1/2" X 4-1/2" | 115 mm | 1 |
| 6 | 1/2" X 5" | 127 mm | 1 |
| 7 | 1/2" X 6" | 152 mm | 1 |
| 8 | 1/2" X 6-1/2" | 165 mm | 2 |
| 9 | 1/2" X 7-1/2" | 191 mm | 2 |
| 10 | 2" X 2-1/2" | 64 mm | 1 |
| 11 | 2" X 3" | 76 mm | 1 |
| 12 | 1/4" plug | -- | 2 |
| 13 | 1/2" plug | -- | 3 |
| 14 | 1/2" elbow | -- | 4 |
| 15 | 1-1/4" elbow | -- | 1 |
| 16 | 1/2" tee | -- | 3 |

| # | Description/Specification | Metric Length | Quantity |
|----|--------------------------------|---------------|----------|
| 17 | 1/2" X 1/4" X 1/2" tee | -- | 2 |
| 18 | 1/2" union | -- | 3 |
| 19 | 1/2" cross | -- | 1 |
| 20 | 1/2" Ball Valve | -- | 3 |
| 21 | 2" Ball Valve | -- | 1 |
| 22 | 1/2" Swing check valve | -- | 1 |
| 23 | 1/2" Inline check valve | -- | 1 |
| 24 | 1/2", 1/8" restriction orifice | -- | 1 |
| 25 | 1/2", 1/8" restriction orifice | -- | 1 |
| 26 | 1/4" Side outlet valve | -- | 2 |
| 27 | 1/2" Strainer | -- | 1 |
| 28 | Water pressure gauge | -- | 2 |
| 29 | Drain cup | -- | 1 |
| 30 | PORV | -- | 1 |
| 37 | 8" Deluge valve | -- | 1 |
| 38 | Pneumatic actuator | -- | 1 |