



Trusted above all.™

VSF303H Multi-Spectrum IR H₂ Flame Detector Safety and Technical Manual



Read this manual prior to performing any task!



VSF303H Flame Detector	Safety and Technical Manual	2
Form No. F_111722	Rev: 3.0	



Viking Corporation
5150 Beltway Dr. SE
Caledonia MI 49316

Form No. F_111722 Rev 3.0

Ref: 3304.0001 Rev:0.1 ECN:4709

HELP US TO HELP YOU

Every effort has been made to ensure the accuracy in the contents of our documents; however, Viking can assume no responsibility for any errors or omissions in our documents or their consequences. Viking would greatly appreciate being informed of any errors or omissions that may be found in our documents.

Please email Viking Technical Services at techsvcs@vikingcorp.com or call 1-877-384-5464. Please reference the Form No. and Rev shown in the upper right corner of this page.

THANK YOU

Contents

1	Introduction.....	5
1.1	Detector Features.....	5
2	Safety Instructions.....	6
2.1	Definitions of Alert Icons.....	6
2.2	Warnings and Cautions.....	6
2.3	Important Safety Notices.....	7
2.4	EN 54-part 10 Limitation of use.....	9
3	Installation.....	9
3.1	Detector Enclosure.....	9
3.2	Mounting & Orientation.....	9
3.3	Wiring Procedure.....	11
3.4	0-20mA Output.....	12
3.5	Relay Output.....	13
3.6	Internal Inter-connections.....	14
3.7	Installation Checklist.....	15
3.7.1	Mechanical.....	15
3.7.2	Electrical.....	16
4	System Design Guidelines.....	17
4.1	Power Supply.....	17
4.2	Cable Selection.....	17
4.3	DC Power.....	17
5	Application Guidelines.....	18
5.1	Positioning Requirements.....	18
5.2	Detection Coverage.....	18
5.3	Exposure to Flare Radiation.....	18
5.4	Optical Contamination.....	19
5.5	Enclosed Areas.....	19
5.6	Detector Sensitivity.....	19

5.7	Detector Alarm Delay.....	19
6	Maintenance and Commissioning	20
6.1	Procedure.....	20
6.2	Functional Testing	22
7	Fault Finding.....	23
7.1	Removal of the Electronics	23
7.2	Replacement of the Electronics	23
7.3	Diagnostics.....	23
7.4	LED Indication	24
7.5	Power Fault	25
8	Technical Specification	26
8.1	Detector Information	26
8.2	Electrical Specification.....	26
8.3	Mechanical Specification	26
8.4	Environmental Specification.....	26
8.5	Certification and Approvals	27
8.6	Operating Specification.....	27
8.7	VSF303H Detector Ordering Information	28
8.8	Detector Accessories and Spares.....	28
9	Appendix A - Acronyms, Terms & Abbreviations.....	29
10	Appendix B - Field of View	30
11	Appendix C - FM Approval Performance Report.....	31
12	Appendix D - IEC 61508 Failure Rate Data	33

1 Introduction

This safety and technical manual applies to the Viking Multi Spectrum IR3 H₂ Flame Detector (VSF303H) hardware version 1.0 and above.

The Viking VSF303H is a triple IR flame detector. It uses three IR sensors, digital signal processing hardware and firmware algorithms to interpret the radiant characteristics of flame.

The Viking flame detection range are the safest and most advanced flame detectors on the market today. Our worldwide installed base has proven that the Viking technology is robust, even in the harshest of environments.

FM Approvals ensures that our flame detection firmware and hardware is fit for purpose through rigorous research and testing to a range of fire types and various potential false alarm stimuli. This testing proves that the VSF303H has an unsurpassed false alarm immunity.

The VSF303H has been designed for use in standalone operation.

1.1 Detector Features

- The VSF303H has a 90° cone of vision with a range of 131 ft (40 m) to a 36 inch (0.9 m) plume of burning hydrogen.
- Two detection sensitivity settings allowing the user to select the sensitivity that is most suitable for their application.
- Superior false alarm immunity to common sources of unwanted alarms such as hot process and hot work.
- Advanced optical verification test assuring readiness to perform when needed.
- Outputs include both relay contacts and 0-20mA.
- Separate termination chamber for ease of installation.
- Certified Flame Simulator VSF3008 ITEST verifies operation from distances of 10 to 26 ft (3 to 8 m).
- VSF303H can operate via a standard 3 or 4 wire termination.
- Microprocessor controlled heated optics increases resistance to moisture and ice.

2 Safety Instructions

For the correct and effective use of this equipment, to maintain safety and avoid hazards it is essential that you read and understand these instructions fully and act accordingly BEFORE installing, operating, or maintaining the equipment.

2.1 Definitions of Alert Icons

Alert icons are used in this document to provide and highlight text that requires a greater awareness by the user. A definition of the meaning of each icon is as follows:



WARNING – Indicates a potentially hazardous situation which, if not avoided, could result in death or serious injury.



CAUTION – Indicates a potentially hazardous situation which, if not avoided, could result in physical injury or damage to the product or environment. It may also be used to alert against unsafe practices.



NOTICE – Indicates additional information on how to use the product.

PAY ATTENTION TO ALL SAFETY WARNINGS AND CAUTIONS

2.2 Warnings and Cautions

This equipment is certified and intended for use in potentially hazardous areas. Install and use the equipment in accordance with the latest regulations. The end user shall close any unused entries using suitably certified blanking elements to maintain the housing's type of protection.

For European (ATEX) installations IEC/EN60079-14 'Electrical Installations in Hazardous Areas' and ICE/EN60079-17 'Inspection and Maintenance in Hazardous Areas' should be strictly observed. The IR3 type flame detector; Viking VSF303H, is to be installed in places where there is a low risk of mechanical damage.

For installations in North America the National Electrical Code (NEC) should be strictly observed. In other countries the appropriate local or national regulations should be observed.



CAUTION - The equipment must be properly grounded. Failure to do so may cause electric shock and/or electrical interference.



WARNING - Do not drill holes in any housing or enclosure as this will invalidate the explosion protection and could lead to an explosion. Ensure that the enclosure lid is fully tightened and locked into position before energizing the equipment, failure to do so could lead to an explosion.

Do not open the enclosure in the presence of an explosive atmosphere as it could lead to an explosion.

All permits and proper site procedure and practices must be followed, and the equipment must be isolated from the power supply before opening the enclosure in the field. Failure to do so could lead to an explosion.



NOTICE - Cable to be used for installation is to be selected with a temperature rating of greater than 77 °F (25 °C) above the maximum ambient temperature. The metric cable entries are fitted with an internal stop. This will result in threads of the cable gland being visible. Do not over tighten.

Use only approved parts and accessories with this equipment.



CAUTION - Do not attempt to replace the window as the sapphire and the front cover are individually matched pairs to meet the stringent requirement of the hazardous area certification. Incorrect disassembly of the flame detector may damage the equipment.




WARNING - The threaded portions of the detector are flame paths. These threads and the flame paths are not to be repaired. A damaged flame path could lead to an explosion.

To maintain safety standards, commissioning and regular maintenance should be performed by a qualified person.

2.3 Important Safety Notices

Pay attention to the guidelines given throughout this document. If in any doubt about the instructions listed within this manual, then please contact Viking.

Viking takes no responsibility for installation and/or use of its equipment if it is not in accordance with the appropriate issue and/or amendment of the manual. Viking reserves the right to change or revise the information contained herein without notice and without obligation to notify any person or organization of such action.

Only those parameters and configurations highlighted with the FM diamond () have been tested and approved by Factory Mutual.



WARNING - Do not open the detector assembly in a hazardous area as it could lead to an explosion. The detector contains limited serviceable components and should only be opened by trained personnel.



NOTICE - The wiring procedures in this manual are intended to ensure functionality of the device under normal conditions. Due to the many variations in wiring codes and regulations, total compliance to these ordinances cannot be guaranteed. Be certain that all wiring complies with all local ordinances. If in doubt, consult the authority having jurisdiction before wiring the system. Installation must be done by trained personnel.

To prevent unwanted actuation or alarm, extinguishing devices must be inhibited/isolated prior to performance testing or maintenance.

Detector Orientation

Detectors should be mounted with the ground stud directly below the lens.

Detector Positioning

Detectors should be positioned to provide the best unobstructed view of the area to be protected.

The following factors should also be taken into consideration:

- Identify all high-risk fire ignition sources. Ensure that enough detectors are used to adequately cover the hazardous area.
- Locate and position the detector so that the fire hazard(s) are within both the field of view and detection range of the device.
- For best performance, the detector should be mounted on a rigid surface in a low vibration area.
- Extremely dense fog or blizzard conditions could eventually block the vision of the detector.
- For indoor applications, if dense smoke is expected to accumulate at the onset of a fire, mount the detector on a side wall approximately 3 to 6 ft (1 to 2 m) below the ceiling.



VSF303H Flame Detector	Safety and Technical Manual	8
Form No. F_111722	Rev: 3.0	

- The VSF303H has two sensitivity settings, which may be changed via a laptop and free software download.
- The flame detector carries out continuous internal hardware diagnostic testing to ensure correct operation is relayed to the control system.
- The VSF303H is not designed to annunciate diagnostic failure of signal returns via external wiring. Control systems and fire panels generally have fault monitoring for such an eventuality.

2.4 EN 54-part 10 Limitation of use

The VSF303H is not approved for use in oxygen-enriched atmospheres.

As the VSF303H responds to flame, it cannot be used in locations where flare stacks are within its field of view or a reflected view is present without triggering alarms.

The sensitivity of the VSF303H is reduced by obscurants such as smoke, fog, and other airborne particulates. The VSF303H may be blinded by extremely dense obscurants.

Arc welding should not take place within 32 ft (10 m) of the VSF303H when using the highest sensitivity setting.

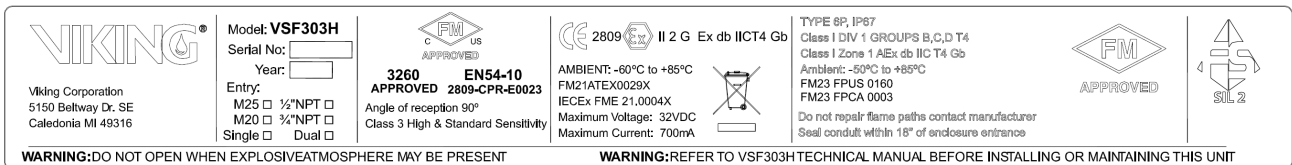
3 Installation

The VSF303H design has been developed to allow simple installation. The detector comprises two key components, the detector enclosure, and the detector internal assembly. The detector assembly located in the front of the enclosure should not be removed except by trained personnel.

Unauthorized removal or disassembly of the detector assembly will invalidate the warranty. Only the rear end cap can be removed for terminal access.

3.1 Detector Enclosure

The detector electronics are housed in an enclosure certified for use in hazardous areas. For the exact certification and conditions of use see certification label on the device, or the example drawing below:



The detector comprises the front window cover including the window, the rear enclosure cover, the enclosure body, certification rating label (see above) and the mounting bracket.

The flame detector is supplied preassembled and includes the mounting bracket. However, it is not supplied with a mounting support and fixings, cabling, or glands.

3.2 Mounting & Orientation

The mounting bracket allows the detector's vertical orientation to be adjusted from 0 to 45° and allows a horizontal rotation of +/-45° when mounted from above.

Figure 1: Detector Mounting Bracket

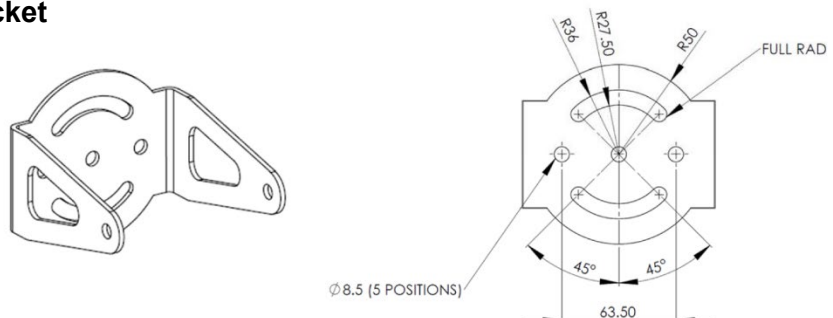


Figure 2: Ceiling Mount

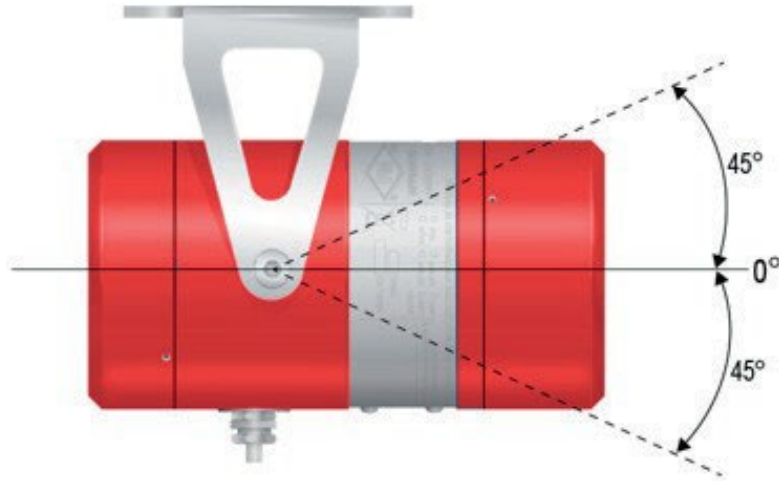
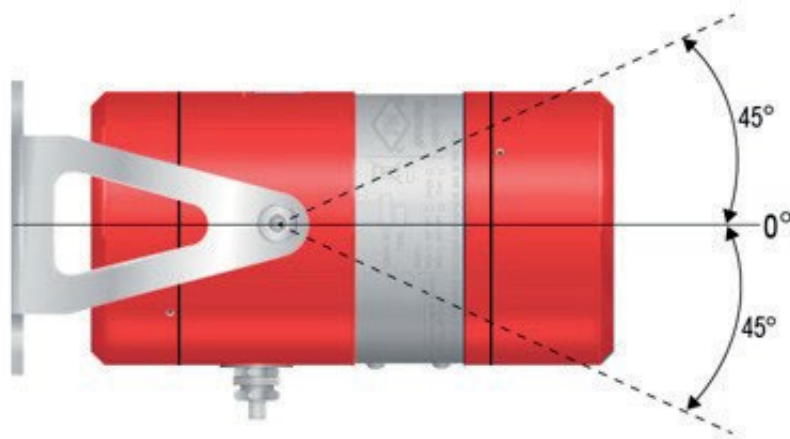


Figure 3: Wall Mount



Firm, vibration free mountings are essential for trouble free operation of optical systems and the detector should be fixed to a rigid mounting. When mounting on a wall in this orientation allow for the cable gland and cable as this may restrict the downward rotation of the detector.

3.3 Wiring Procedure

The wiring terminals are in the rear section of the detector enclosure and are accessible by removal of the end cap.

The front section of the enclosure should only be accessed by trained personnel.

The terminal schematic detailed below shows the view looking inside the detector following removal of the end cap.

Figure 4: Terminal Schematic



The detector has two types of alarm outputs available simultaneously.

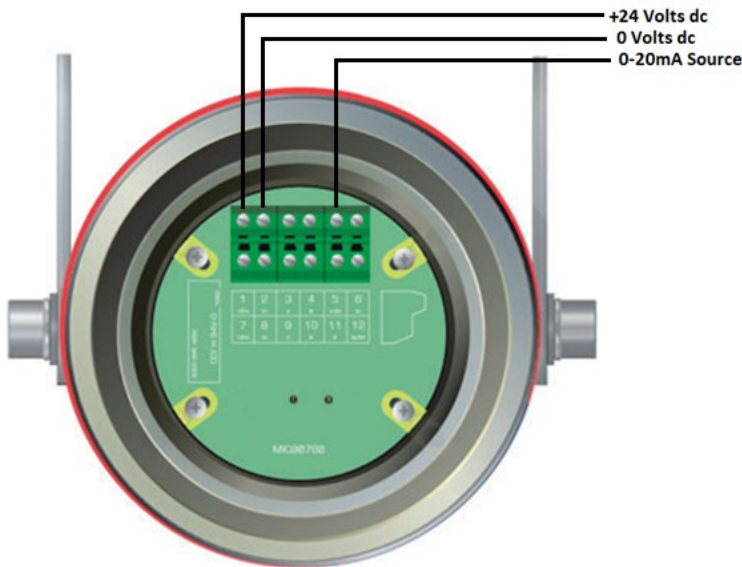
- 0-20mA (source non-isolated)
- Relay (Alarm & Fault)

Listed below are wiring options dependent on the functional requirements of the detector.

3.4 0-20mA Output

The following wiring connection diagram shows correct wiring of the detector when a 0-20mA output is required.

Figure 5: 3 Wire Termination



Factory Fixed Values

Current Output	Event
0mA	Power/Detector Fault
1mA	Low Supply Voltage Fault
1.5mA	Optical Fault
4mA	Healthy
18mA	Alarm
21mA	Over-range

Notes:

Note 1 - The tolerance on the above outputs is +/- 0.3mA current with a maximum loop resistance of 500 ohms.

Note 2 – Additional 0-20mA values are configurable and must be specified when ordering if required. The optical fault signal may be configured at 2mA as opposed to 1.5mA and the alarm signal may be increased to 20mA.

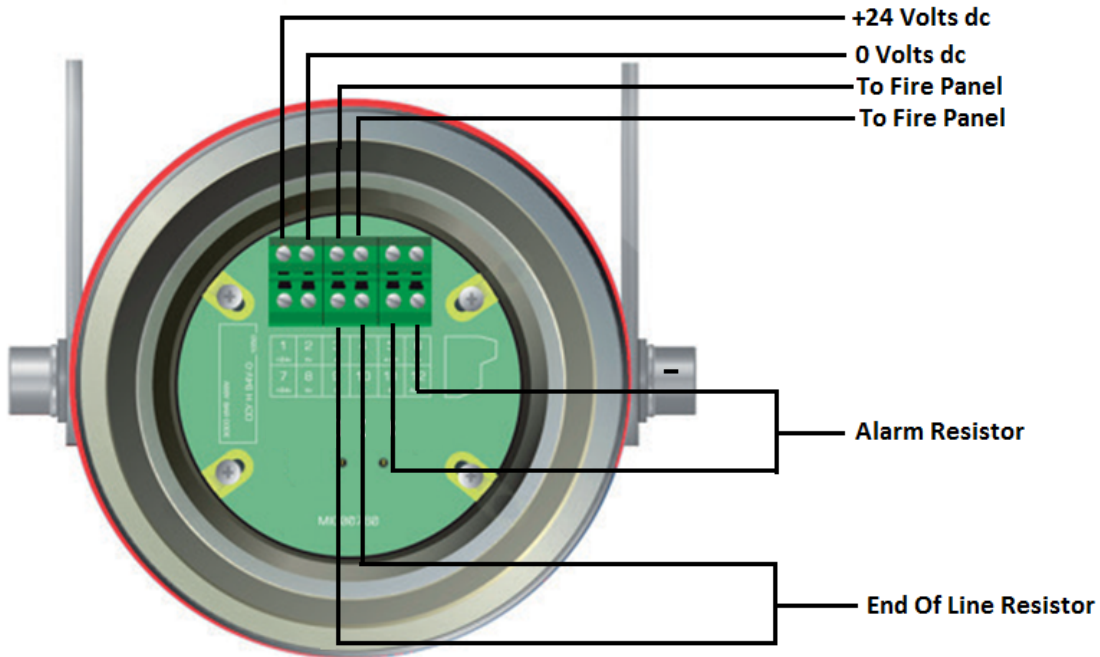
Note 3 - The VSF303H can be factory-configured with an Aux alarm delay (20mA) of between 0 and 10 seconds in 1 second steps over and above the normal response times of the 18mA alarm signal. If the Aux alarm signal is delayed, the 18mA alarm signal will precede the 20mA signal giving the normal response times as tested by Factory Mutual to FM3260. If the 20mA alarm signal is delayed, it is considered an Aux alarm level.

Note 4 – The 0-20mA signal has HART ® 7 protocol superimposed on top of it to give access to more diagnostic information. See HART ® 7 Technical Note.

3.5 Relay Output

The following wiring connection diagrams shows wiring the detector when a relay output is required. Reversal of polarity across terminals 1 & 2 enables Viking RS485 communication on terminals 3 & 4. This communication protocol, when used with free downloadable software, allows configuration changes to the detector.

Figure 6: Relay Configuration Termination

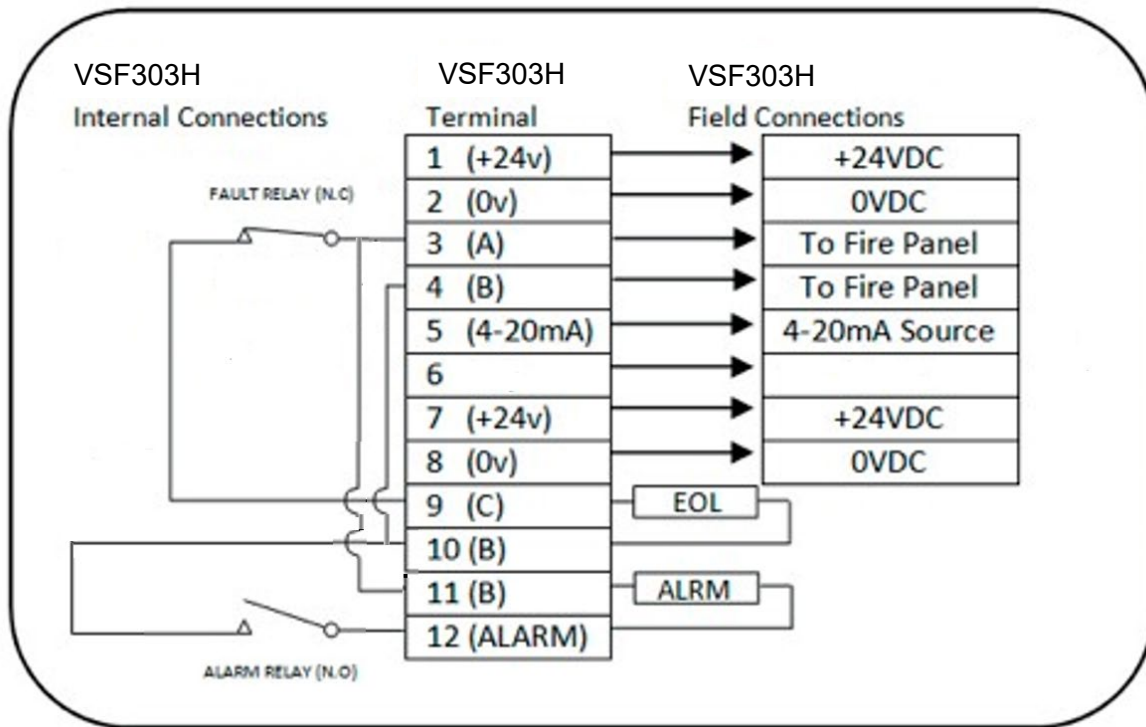


NOTE: EOL and alarm resistors values are defined by the client and the control system/fire panel which the detectors are being integrated into. See Figure 7 for field connections of Alarm/EOL resistors or jumper wires.

3.6 Internal Inter-connections

The following diagram shows the internal inter-connections of the alarm and fault relay contacts and jumpers. Each field connection is listed on this diagram for clarity.

Figure 7: VSF303H Internal Inter-connections



3.7 Installation Checklist

Experience has shown that poor installation and commissioning practice may result in an unreliable fire detection system that fails to meet the site performance targets. Before installing the detector, it is important to consider where it is to be located and how it is to be mounted. To maintain compliance with the EMC regulations it is essential the electrical installation be engineered correctly.

3.7.1 Mechanical

Notes	
	<p>When locating the detector consideration should be given to maintenance access to the detector. The detector mounting should be secure and vibration free.</p> <p>It is advisable to check the detection locations, prior to fabrication of the mounting supports, as changes are frequently made during construction at site which can affect detector coverage.</p> <p>The installation should allow space for subsequent detector removal, for maintenance or repair, to be easily achieved.</p>
1	<p>The detector should be fixed to a stable supporting structure using the mounting bracket provided. The supporting structure must allow for horizontal adjustment of the detector orientation. The support structure should be in place prior to detector installation. Information on mounting is available from Viking.</p>
2	<p>The threaded flame path of the enclosure cover and body must be protected from damage during installation. Any such damage can destroy the validity of the enclosure.</p>
3	<p>The detector electronics shall be protected from mechanical damage and external sources of EMI such as X-rays, RFI and electrostatic discharge. The detector should not face directly towards the sun.</p>
4	<p>Fit the mounting bracket to the support structure using 5/16-inch (8 mm) bolts (not provided). The detector (bracket) should be oriented to provide the desired coverage.</p>
5	<p>The detector enclosure body should be fitted to the mounting bracket. The bolts locate into the bracket. Twist the enclosure to locate the bolts; these are then tightened using a 6mm Allen key.</p>
6	<p>Ensure the detector is orientated such that the grounding stud is directly beneath the lens.</p>
7	<p>Glanding should be carried out by trained personnel. The gland should be fitted in line with installation standards for potentially explosive atmospheres that is 5 full threads minimum with the IP seal washer fitted at the bottom of the thread. This sealing arrangement will result in several threads of the cable gland being visible. The gland should be torqued between 11 to 15 lb. ft (15 to 20 N m).</p> <p>Note – The IP seal washer only applies to metric threads.</p>

3.7.2 Electrical

Notes	It is advisable to check the detection locations, prior to fabrication of the mounting supports, as changes are frequently made during construction at site. Detector cabling must be segregated from cables carrying high-speed data or high energy and/or high frequency signals and other forms electrical interference. The detector requires a clear unobstructed view of the local hazard. To avoid local obstructions, such as pipework and cable trays, a 6 ft (2 m) helix should be allowed in the detector cabling. The detector should only be fitted just prior to commissioning the detector. Experience shows that the detector can be damaged due to cable testing operations (Insulation Tests, etc.).
1	Isolate all associated power supplies. Ensure that they remain OFF until required for commissioning.
2	The threaded flame path of the enclosure cover and body must be protected from damage during installation. Any such damage can destroy the validity of the enclosure.
3	The electronics subassembly shall be protected from mechanical damage and external sources of EMI such as X-rays, RFI and electrostatic discharge.
4	The enclosures external earth stud should be connected to a local earth point.
5	Remove the transit plug(s) from the enclosure body gland entries.
6	Fit approved cable glands.

4 System Design Guidelines

The following guidelines are intended to assist with the electrical design and engineering of systems where it is intended that flame detectors will be used.

4.1 Power Supply

The detector requires an absolute minimum supply voltage of 18Vdc, as measured at the detector terminals. The system power supply voltage and power distribution should be arranged such that on the longest cable run the detector(s) has a supply voltage of greater than 18Vdc.

4.2 Cable Selection

Cable to be used for installation is to be selected with a temperature rating of greater than 77 °F (25 °C) above the maximum ambient temperature.

The metric cable entries are fitted with an internal stop. This internal stop has an IP washer mounted directly above it. Ensure this is fitted to maintain the ingress protection. This will result in threads of the cable gland being visible. Do not over tighten.

The installation and local regulations and standards determine the overall cable specification. This section specifies suitable cable characteristics to ensure correct operation of the flame detector.

4.3 DC Power

NOTE: Table 2 shows an absolute maximum for cable length; try not to approach this value.

DO NOT ground any cable shields at the detector housing.

Table 2: Maximum Cable Lengths (24Vdc supply)

Installation based on 24V nominal supply	Number of Flame Detectors	Maximum Power (W)	Maximum Cable Length (m) with 1.5mm ² Conductors (12Ω/km)	Maximum Cable Length (m) with 2.5mm ² Conductors (7.6Ω/km)
Heater on	1	12W @ 24Vdc	500	780
Heater off	1	3W @ 24Vdc	2000	3000

Table 3: AWG Conversions

Cross Sectional Area (mm ²)	American Wire Gauge (AWG)	Typical Conductor Resistance per km (3280 ft.) DC Ω/km @ 20°C (Approx.)
0.5	22	36
1.0	18	19
1.5	16	12
2.5	14	7.6

5 Application Guidelines

In considering the application of the detector it is important to know of any conditions that may prevent the detector from responding. The detector provides reliable response to hydrogen flames within its field of view, and insensitivity to common false alarm sources. Solid obstructions or a direct view of intense light sources may result in a reduction in the coverage and/or a reduction in the detector sensitivity. Scaffolding or tarpaulins in the detector's field of view may reduce coverage. Contamination of the detector window may result in a reduction in sensitivity.

The detector has a 90° conical field of view. The location and orientation of the detector in relation to the protected area determines the actual footprint. Achieving the desired coverage depends on congestion within the protected space, the location of the detector(s) and the distance of the detector from the hazard. It may be necessary to install more than one detector within an area to achieve adequate coverage.

The detector sensitivity, expressed as fire size at a distance, is determined by the radiant heat output of the fire. This is a function of the fuel source, how it is released and distance from the detector to the fire.

In common with other forms of flame detection the detector's sensitivity is reduced and potentially blinded by dense obscurants such as smoke, fog, and other airborne particulates. The detector is insensitive to arc welding; however, this should not be conducted within 32 ft (10 m) of the detector.

5.1 Positioning Requirements

The following guidelines have been based on operational feedback, reflecting commonly experienced problems which can be traced to a failure to observe the following:

- Ensure the mounting position is free from vibration or movement.
- Prevent accidental knocking or forcing out of alignment.
- Isolate as far as possible from local electrical interference sources.
- Ensure sufficient detection to achieve adequate coverage for all likely hazards.
- Minimize exposure to contamination of the detector face plate.
- Ensure ease of maintenance access to detector (i.e., direct ladder or scaffold access).
- Do not allow the VSF303H to have direct view of hot surfaces.
- Ensure that the VSF303H has no direct view or reflected view of a friendly fire.
- The detector should be aimed downward by at least 10° to 20°.

All these issues are of crucial importance to a successful installation and they should be afforded great attention during the detailed design, construction, and commissioning phases of the work.

5.2 Detection Coverage

Detector locations can be chosen from computer models or from site surveys. The detectors should be aligned to view the intended hazard considering any obstruction and congestion. Software analysis of the actual detector coverage may be required to ensure adequate coverage of the hazards. This analysis can also be used to optimize the number of detectors and the loop configuration. The cones of vision are detailed in Appendix B.

5.3 Exposure to Flare Radiation

Flame detectors are frequently used where hydrocarbon fire hazards are expected; these are quite often processing plants where a flare stack is in use nearby. The detector shall not have a direct view of the flare or a reflected view of the flare.

5.4 Optical Contamination

There are many sources of contamination such as oil, water (deluge water, rain, and sea-spray), snow, ice, and internal misting. Excessive contamination of the detector faceplate may result in an increased maintenance requirement and potentially reduce the detector's sensitivity. Where detectors are mounted at low level, care should be taken to avoid contamination (such as water and oil) from equipment above the detector. Care should be taken in sighting the detector to minimize the likelihood of such contamination. The detector is designed such that an optical fault is generated when half of the detection range remains. This is indicated by the fault output and is evident by the yellow color of the LED on the face of the detector. The optical fault condition indicates that the detector requires cleaning or service. The optical fault indication is self-clearing.

5.5 Enclosed Areas

In enclosed areas, if dense smoke is expected to accumulate at the onset of the fire, the detector should be mounted 3 to 6 ft (1 to 2 m) below the ceiling level.

5.6 Detector Sensitivity





The detector's response to a fire is a function of the fuel source and how it is released, fire size and distance, orientation to the detector and local ambient conditions. The typical figures are based on in-house tests except when marked with the FM logo, these tests were conducted and certified by Factory Mutual. As with all tests the results must be interpreted according to the individual application considering all possible variables.

The detector sensitivity to different fuel sources is dependent on the radiant heat output of the flame and the detectors typical response is shown below (see table 4). The detector will only detect hydrocarbon fires.

5.7 Detector Alarm Delay

The Detector can be factory configured with an Aux alarm delay (20mA) of between 0 and 10 seconds in 1 second steps over and above the normal response times of the 18mA alarm signal. If the Aux alarm signal is delayed the 18mA alarm signal will precede the 20mA signal giving the normal response times as tested by Factory Mutual to FM3260. The 20mA alarm signal if delayed is considered an Aux alarm level.

Table 4: Typical VSF303H Response Characteristics High sensitivity (131 ft (40 m)). For all FM approved results see Appendix D

Fuel	Fire Size	Distance	FM
Hydrogen Fire	36 inch (0.9m) plume height	131 feet (40 m)	
Methylated Spirits Fire	1ft ² (0.3m x 0.3m) pan	65 feet (20m)	
Methanol Fire	1ft ² (0.3m x 0.3m) pan	65 feet (20m)	
n-Heptane Fire	1ft ² (0.3m x 0.3m) pan	40 feet (12 m)	
Methane Fire	36 inch (0.9m) plume height	100 feet (30 m)	

6 Maintenance and Commissioning

6.1 Procedure

This maintenance schedule/ commissioning procedure is intended for guidance only. The actual level of maintenance required will depend on the severity of the operating environment and the likelihood of damage or the rate of contamination from oil, sea spray, deluge system etc. It is advisable to regularly review maintenance reports and adapt the maintenance period to the operating environment.

Step	Periodic Inspection and Maintenance	Suggested Interval
1 - 6	General Inspection and maintenance of the detector and faceplate.	6 Monthly
6 - 14	Specific inspection and maintenance of the detector enclosure.	12 Monthly
16	Detector function testing.	6 Monthly
1 - 5 15 - 17	Commissioning Procedure.	Post Installation
Step	Activity	Key Points
1	Detectors that require maintenance / commissioning should be taken offline and inhibited. Detectors which require to be opened will need to be isolated electrically.	Ensure that panel wiring, and terminations associated with all units under test are in good order.
2	Ensure that the detector mounting arrangements are secure and undamaged.	
3	Ensure that the detector enclosure is intact and undamaged.	
4	Ensure that all associated cables and glands are correctly made up, secure and undamaged.	
5	Clean the enclosure faceplate (outside) with a mild detergent solution and a soft cloth until the window is clear of all contamination. Wash the window thoroughly with clean water and dry with a clean lint free cloth or tissue. Note: This MUST be carried out prior to initial powering of the device. The VSF303H will carry out an automatic Optical Test Calibration at this point.	Assess requirement for opening the enclosure, for maintenance or cleaning, follow steps 6 to 14.
6	Open the detector enclosure if required, by removing the enclosure cover. This exposes the enclosure flame path and detector lens.	Avoid damage to the flame path, faceplate, and lens.
7	Clean the enclosure cover and body flame paths with a dry clean cloth to remove and contamination. If the flame path or threads are badly pitted the components should be replaced.	
8	Check the 'O' ring seal on the enclosure cover is not damaged or perished, replace as required. Note the ingress protection is compromised if the seal is not correct.	
9	Clean the enclosure faceplate (inside) with a mild detergent solution and a soft cloth until the window is clear of all contamination. Wash the window thoroughly with clean water and dry with a clean lint free cloth or tissue.	
10	Non-setting waterproof grease should be evenly applied to the flame path on both the enclosure cover and body.	
11	Clean the detector lens. This should be done with a soft, dry, and clean cloth.	Avoid touching the optics or electronics.
12	Clean the detector enclosure faceplate. Use a degreasing agent on the outside to remove deposits.	
13	The enclosure cover must be screwed on to a minimum of 5 full turns or until fully tight and secured using the locking screw provided.	
14	Reinstate the detector back into service.	
15	Ensure that inhibits are applied, then, using the flame test torch, function test the detector. Note the detector LED indicator, within the detector housing, changes color to RED. Check the mA output is indicating 18mA.	Check the complete display system for correct function and indication.
16	Isolate the power to the detector and ensure a fault is initiated within the control system. Check the Ma output is indicating 0mA.	
17	De-isolate the detector and ensure the status LED indicates green. Reinstate the detector back into service. Check the mA output is indicating 4mA.	

6.2 Functional Testing

The detector can be function tested using the VSF3008 ITEST Flame Simulator, which has been specifically designed to provide a convenient means of field testing the detector. Refer to the VSF3008 ITEST Flame Simulator user manual for instructions on its use.

In the unlikely event of the detector failing to respond to the VSF3008 ITEST Flame Simulator please contact Viking technical support. Please ensure that the flame detector and flame simulator are being used correctly in the first instance by referring to their manuals.



7 Fault Finding

7.1 Removal of the Electronics

Warning there are no user replaceable parts within the electronic module. Any attempt to repair or dismantle the electronic sub-assemblies will void the warranty. If any fault is suspected within the electronics module the module is to be returned to Viking for investigation and repair if required. Any faults should be reported to Viking as per the instruction in section 6.2.

Removal of the electronics should only be performed by competent personnel. The following is the procedure for removal of the electronic module: -

1. Loosen the Allen screw that secures the lens cap to the housing.
2. Un-screw the lens cap assembly and remove.
3. Gently un-screw the three screws indicated until they freely turn. Please note these screws are not removable.
4. Grasp the two screws positioned at the bottom of the detector and pull the electronics module out of its housing.

7.2 Replacement of the Electronics

The following is the procedure for installation of the electronic module: -

1. Insert the electronic module with the center sensor positioned at the top of the housing.
2. Rotate the module clockwise and anti-clockwise until the locating pins click into position.
3. Push the electronics assembly into the housing until the face plate is flush with the front of the housing. Note: This should take minimum force if the locating pins are in position.
4. Gently screw the three screws until they bottom. Note: Do not over tighten.
5. Grease and replace the lens cap.
6. Tighten the lens cap Allen locking screw.

7.3 Diagnostics

It is impossible to provide fault diagnostics for every possible detector fault. In all cases it is advised that the following best practice is followed:

1. Only make one change at a time (changing more than one thing makes diagnosis very difficult).
2. Check the most obvious possible cause first.
3. Work systematically through the problem.
4. Keep good notes on the original problem, each step taken, and the results observed.

7.4 LED Indication

The detector LED indicator is used to reveal the detectors current state, as shown below:

Figure 9: VSF303H Fascia - Status LED

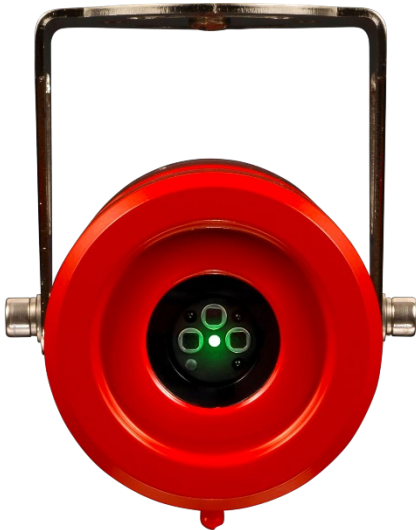


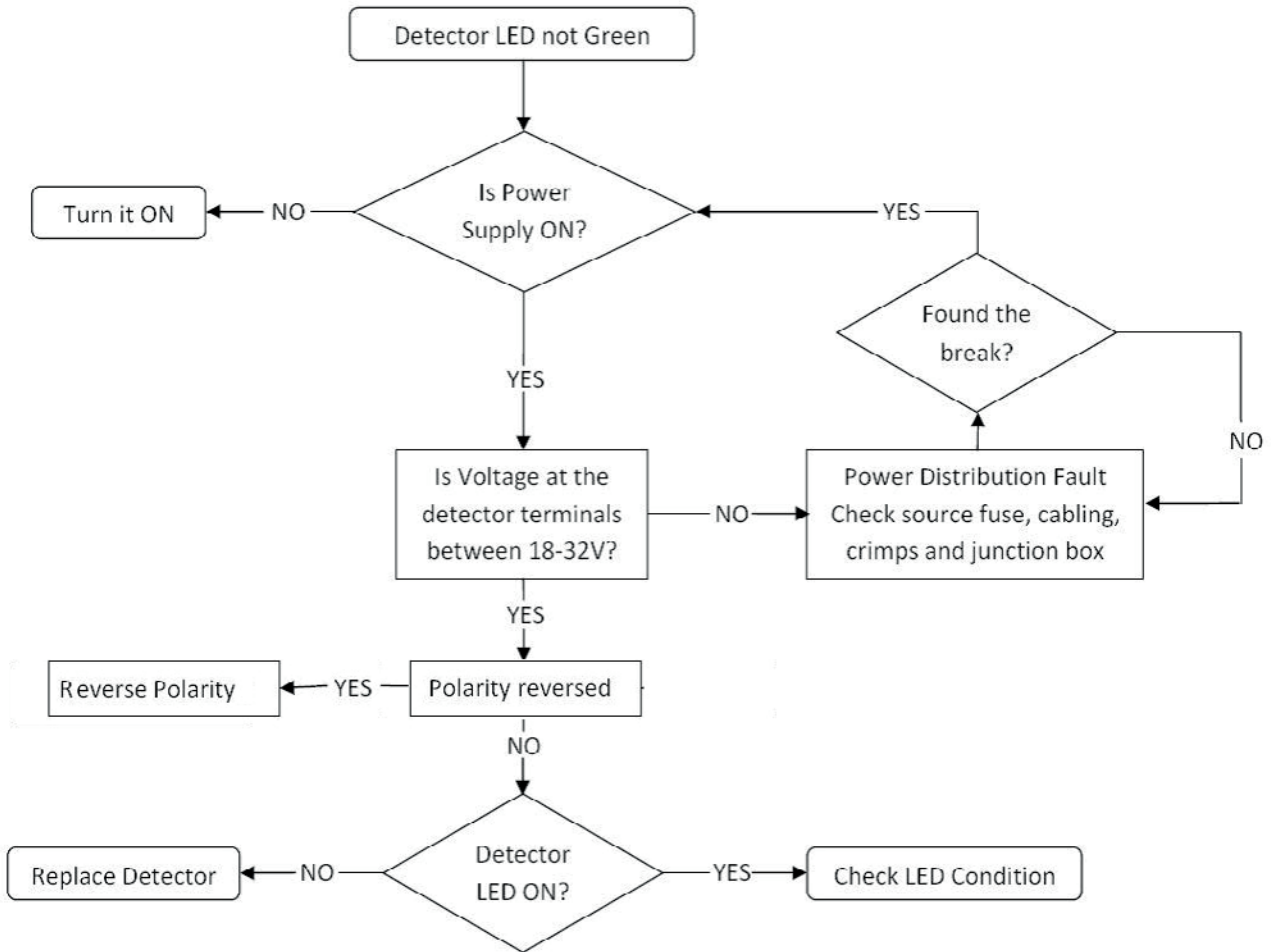
Table 5: LED Status Diagnostic Chart

LED Color	Status	Indicator
Green	Healthy	
Flashing LED	24V/0V Polarity Reversed	
Steady OFF	No Power/Major Internal Fault	
Steady Yellow	Fault	
Red	Alarm	
Two yellow flashes at start-up	The VSF303H is set to standard sensitivity (100 ft (30 m))	
Four yellow flashes at start-up	The VSF303H is set to high sensitivity (131 ft (40 m))	

7.5 Power Fault

If the detector LED indicator is OFF or flashing then there may be a power supply fault, as shown below:

Figure 10: Power Supply Diagnostic Chart



When investigating power supply faults, it is important to check that all voltages are within the detectors operating range (18V to 32V) under full load conditions as the voltages measured under no load conditions can be misleading.

8 Technical Specification

8.1 Detector Information

Parameter	Value
Model	Viking MSIR H ₂ flame detector VSF303H
Type	Triple IR Flame Detector – IR3 H ₂
Spectral Range	Three wavelengths in the range of 2 μm to 3 μm
Application	Flame / fire detection of hydrogen and hydrocarbon fires

8.2 Electrical Specification

Parameter	Units	Min	Nominal	Max	Comment
Supply Voltage	Vdc	18	24	32	Inc. ripple
Supply Ripple	Vpk-pk	1.0	1.0	1.0	
Detector Power Consumption no heaters	W	3	3	3	
Detector Power Consumption with heaters	W	12	12	12	
Detector shutdown voltage (low supply)	Vdc	<18			

8.3 Mechanical Specification

Parameter	Units	Value	Comment
Enclosure			
Overall Dimensions	inches	4 Diameter x 8 Length	
	mm	100 Diameter x 200 Length	
Shipping Weight	lbs.	5.5	13.2
	Kg	2.5	6
Material		HE30 Aluminum	316SS
Coating	Color	Red Powder Coated Finish	
Cable Entries	mm/inches	Dual M25, Dual ¾ NPT. Single ¾ NPT	
		Other variants on request	
Terminal Wire Size	mm ² / AWG	2.5 / 14	
Ingress Protection		NEMA 6P (IP67)	
Mounting Bracket		See figure 1 Mounting Bracket Page 8	
Support Fixings	mm	2 x M8	
Vertical Adjustment	Degrees	0 to 45	
Horizontal Adjustment	Degrees	0	
		Provided by support	
Axial (horizontal) Rotation	Degrees	+/- 45	

8.4 Environmental Specification

Parameter	Units	Min	Max	Comment
Operating Ambient Temperature	°F/°C	-76 / -60	+185 / +85	T4
Operating Ambient Temperature	°F/°C	-58 / -50	+185 / +85	USA & Canada
Storage Ambient Temperature	°F/°C	-76 / -60	+185 / +85	
Relative Humidity	%RH	0	93	Non-condensing

8.5 Certification and Approvals

Parameter	Authority/ Standard	Approval	Certificate*
Hazardous Area Certification	ATEX	Ex II 2 G Ex db II C T4 Gb IP67	FM21ATEX0029X
Hazardous Area Certification	NEC 505	Class1 Zone 1 A Ex db IIC T4	FM23FPUS0160 FM23FPCA0003
Hazardous Area Certification	NEC 500	Class 1 Div 1, Groups B, C, D T4	FM23FPUS0160 FM23FPCA0003
Hazardous Area Certification	IECEX	Ex II 2 G Ex db II C T4 Gb IP67	IECEXFME21.0004X
American Fire Service Listing	FM	Class 3260, 3615, 3600	FM23FPUS0160
European Fire Services Listing	FM	EN 54 Part 10 2002	2809-CPR-E0023
CE Marked (Emissions)	Element	EN61000-6-3:2007A1:2011	TRA-037863-35-00A
CE Marked (Immunity)	FM	EN50130-4 2011 A1:2014	9313-1
IEC 61508	exida	Certified SIL 2 Capable	
Ingress Protection	FM	NEMA 6P (IP67)	

8.6 Operating Specification

Parameter	Units	Min	Max	Comment
Detector Range (depth of field)	ft / m	6.5 / 2.0	131 / 40	
Horizontal Field of View	Degrees	90	90	
Vertical Field of View	Degrees	90	90	
Detector Response Time	Seconds	4.0	30	
Power on reset delay	Seconds	5	5	
Parameter	Value			
Detector sensitivity	Standard (Factory default) and High.			
Alarm Setting	Non-latching with automatic reset after 15 seconds (default) OR latched until the power is removed from detector.			
Advanced Optical Verification	Yes – no mirror continuous automatic optical verification			
Heated Optics	Yes – microprocessor controlled			
LED Status	Tri-state LED – Green HEALTHY; Yellow FAULT; Red ALARM			
Output Options	0(4)-20mA, HART® 7, Relay contacts - alarm and fault			
Relay Rating	2 Relay Contacts – Alarm and Fault. SPST, 2A @ 30Vdc			
Communication/ Configuration	RS485 and HART® 7			

8.7 VSF303H Detector Ordering Information

Viking Model	Viking Suffix	Part Number	Weight (lbs.)
VSF303H MSIR	-NPT-2	25626	5.5
VSF303H MSIR	-M25-2	25627	5.5
VSF303H MSIR	-NPT-SST-2	25628	13.2
VSF303H MSIR	-M25-SST-2	25629	13.2
VSF303H MSIR	-NPT-1	25630	5.5
VSF303H MSIR	-NPT-SST-1	25631	13.2

Note – additional cable entry variants are available upon request.

8.8 Detector Accessories and Spares

Parameter	Part Number	Weight (lbs.)
VSF3008 ITEST	24376	5.5
Vertical to Horizontal Mounting Adapter	24377	2.2
Standard Bracket 316 Stainless Steel (Spare only)	24378	2.2
Marine Bracket 316 Stainless Steel (not fitted)	24379	4.4
Detector Sealing Kit - Metric	24380	0.1
Flame Simulator Charger (spare)	24382	0.4
Sunshield	24383	1.1
2" pole mount kit	24384	5.5
3" pole mount kit	24385	5.5
4" pole mount kit	24386	5.5
USB to RS485 Converter	24591	0.3
USB HART Modem	24592	0.3
Air Shield – Aluminium, Red	25518	0.2
Adaptor - Duct Mount Window Bracket – Sapphire Window	26299	2.5

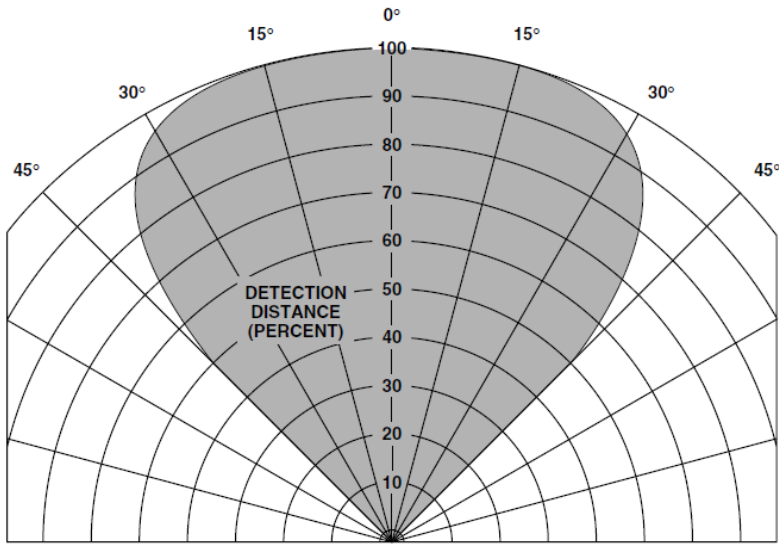
9 Appendix A - Acronyms, Terms & Abbreviations

Term	Description
AC	Alternating Current
ATEX	Atmosphere Explosive
AWG	American Wire Gauge
BS	British Standard
CCTV	Closed Circuit Television
CE	European Conformity
CO ₂	Carbon Dioxide
CSA	Canadian Standards Associated
dB	Decibel
DC	Direct Current
EMC	Electromagnetic Compatibility
EN	European Norm
FM	Factory Mutual
FOV	Field of View
HFT	Hardware Fault Tolerance
I or A	Electrical Current or Ampere
JB	Junction Box
Km	Kilometer
kW	Kilo Watt
LED	Light Emitting Diode
mH	Milli Henry – Inductance
MOR	Meteorological Optical Range
NEC	National Electrical Codes
nF, pF	Nano Farad, Pico Farad – Capacitance
PC	Personal Computer (IBM PC Compatible)
R or Ω	Ohms (electrical resistance)
SFF	Safe Failure Fraction
SIL	Safety Integrity Level
V	Voltage
Vs	Versus
W	Watts (Wattage)

10 Appendix B - Field of View

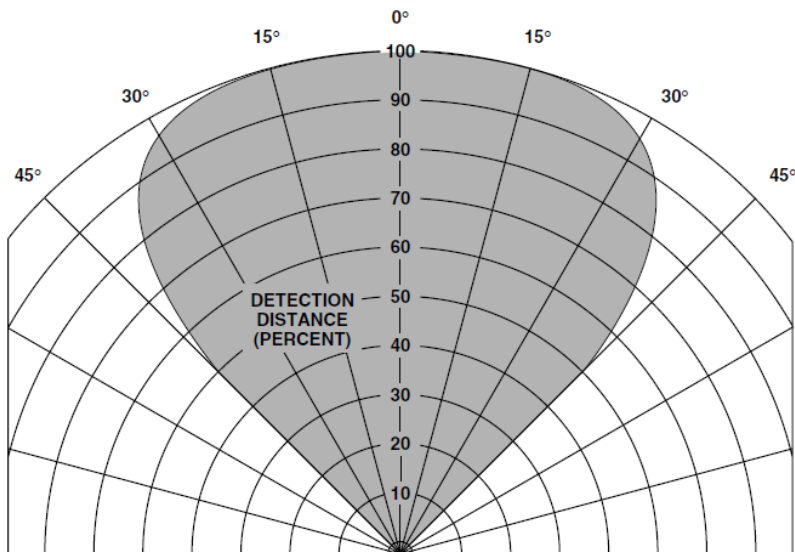
Horizontal field of view to a 36 inch (0.9 m) Hydrogen plume fire with an alarm response at high sensitivity.

100% = 131 feet (40 metres)



Vertical Field of view to a 36 inch (0.9 m) Hydrogen plume fire with an alarm response at high sensitivity.

100%= 131 feet (40 metres)



11 Appendix C - FM Approval Performance Report



Alarm response to various stimuli.

Stimuli	Standard Alarm Distance	High Alarm Distance
Hydrogen 36-inch plume fire	99 ft (30 m)	131 ft (40 m)
Methylated Spirits 0.1m ² pan fire	49 ft (15 m)	67 ft (20 m)
Methanol 1 ft ² (0.1m ²) pan fire	49 ft (15 m)	67 ft (20 m)
N-heptane 1 ft ² (0.1m ²) pan fire	40 ft (12 m)	40 ft (12 m)
100W incandescent lamp steady state	No Alarm 13 ft (4 m)	No Alarm 13 ft (4 m)
100W incandescent lamp modulated	No Alarm 13 ft (4 m)	No Alarm 13 ft (4 m)
Two 36W fluorescent lamps steady state	No Alarm 7 ft (2 m)	No Alarm 7 ft (2 m)
Two 36W fluorescent lamps modulated	No Alarm 7 ft (2 m)	No Alarm 7 ft (2 m)
140W quartz halogen lamp steady state	No Alarm 23 ft (7 m)	No Alarm 23 ft (7 m)
140W quartz halogen lamp modulated	No Alarm 23 ft (7 m)	No Alarm 23 ft (7 m)
180-190 Amp electric arc welding	No Alarm 23 ft (7 m)	No Alarm 23 ft (7 m)
2000W PTC electric space heater steady state	No Alarm 20 ft (6 m)	No Alarm 20 ft (6 m)
2000W PTC electric space heater modulated	No Alarm 20 ft (6 m)	No Alarm 20 ft (6 m)
400W electric heater steady state	No Alarm 26 ft (8 m)	No Alarm 26 ft (8 m)
400W electric heater modulated	No Alarm 26 ft (8 m)	No Alarm 26 ft (8 m)
Reflected sunlight	No Alarm	No Alarm
Reflected modulated sunlight	No Alarm	No Alarm
3000W electric heater steady state	No Alarm 13 ft (4 m)	No Alarm 13 ft (4 m)
3000W electric heater modulated	No Alarm 13 ft (4 m)	No Alarm 13 ft (4 m)

Standard Sensitivity response to a methylated spirit fire in the presence of false alarm stimuli

False Alarm Stimuli	Distance to False Alarm	Distance to Fire
100W incandescent lamp steady state	13 ft (4 m)	50 ft (15 m) Alarm
100W incandescent lamp modulated	13 ft (4 m)	50 ft (15 m) Alarm
Two 36W fluorescent lamps steady state	7 ft (2 m)	50 ft (15 m) Alarm
Two 36W fluorescent lamps modulated	7 ft (2 m)	50 ft (15 m) Alarm
140W quartz halogen lamp steady state	23 ft (7 m)	50 ft (15 m) Alarm
140W quartz halogen lamp modulated	23 ft (7 m)	50 ft (15 m) Alarm
180-190 Amp electric arc welding	23 ft (7 m)	50 ft (15 m) Alarm
2000W PTC electric space heater steady state	20 ft (6 m)	50 ft (15 m) Alarm
2000W PTC electric space heater modulated	20 ft (6 m)	50 ft (15 m) Alarm
3000W electric space heater steady state	13 ft (4 m)	50 ft (15 m) Alarm
3000W electric space heater modulated	13 ft (4 m)	50 ft (15 m) Alarm
400W quartz electric heater steady state	26 ft (8 m)	50 ft (15 m) Alarm
400W quartz electric heater modulated	26 ft (8 m)	50 ft (15 m) Alarm
Reflected sunlight	N/A	20 ft (6 m) Alarm
Reflected modulated sunlight	N/A	20 ft (6 m) Alarm
3000W electric heater steady state	13 ft (4 m)	50 ft (15 m) Alarm
3000W electric heater modulated	13 ft (4 m)	50 ft (15 m) Alarm

High Sensitivity response to a methylated spirit pan fire in the presence of false alarm stimuli

False Alarm Stimuli	Distance to False Alarm	Distance to Fire
100W incandescent lamp steady state	13 ft (4 m)	67 ft (20 m) Alarm
100W incandescent lamp modulated	13 ft (4 m)	67 ft (20 m) Alarm
Two 40W fluorescent lamps steady state	7 ft (2 m)	67 ft (20 m) Alarm
Two 40W fluorescent lamps modulated	7 ft (2 m)	67 ft (20 m) Alarm
140W quartz halogen lamp steady state	23 ft (7 m)	67 ft (20 m) Alarm
140W quartz halogen lamp modulated	23 ft (7 m)	67 ft (20 m) Alarm
180-190 Amp electric arc welding	26 ft (8 m)	67 ft (20 m) Alarm
2000W PTC electric space heater steady state	20 ft (6 m)	67 ft (20 m) Alarm
2000W PTC electric space heater modulated	20 ft (6 m)	67 ft (20 m) Alarm
3000W electric space heater steady state	13 ft (4 m)	67 ft (20 m) Alarm
3000W electric space heater modulated	13 ft (4 m)	67 ft (20 m) Alarm
400W electric heater steady state	26 ft (8 m)	67 ft (20 m) Alarm
400W electric heater modulated	26 ft (8 m)	67 ft (20 m) Alarm
Reflected sunlight	N/A	6 m Alarm
Reflected modulated sunlight	N/A	6 m Alarm
3000W electric heater steady state	13 ft (4 m)	67 ft (20 m) Alarm
3000W electric heater modulated	13 ft (4 m)	67 ft (20 m) Alarm

12 Appendix D - IEC 61508 Failure Rate Data

IEC 61508: ed 2, 2010

Using reliability data extracted from the exida Electrical and Mechanical Component Reliability Handbook the following failure rates resulted from the VSF303H FMEDA. **MAXIMUM DIAGNOSTIC TEST INTERVAL – 15 minutes.**



The useful lifetime of critical components is predicted to be 50 years (Ref: Report No.: MP 17/10-145 R001 V1 R1).

Failure Category	Failure Rate (FIT)
Fail Safe Undetected	42
Fail Dangerous Detected	544
Fail Detected (detected by internal diagnostics)	488
Fail High (detected by logic solver)	13
Fail low (detected by logic solver)	43
Fail Dangerous Undetected	117
No Effect	1547
Annunciation Undetected	11

The VSF303H is classified as a Type B Element according to IEC 61508, having a hardware fault tolerance of 0. Therefore, based on the SFF of 94.83% a design can meet SIL 2 @ HFT=0 when the VSF303H is used as the only component in a SIF Sub-assembly.

Application/Device/Configuration	λ_{SD}	λ_{SU}^3	λ_{DD}	λ_{DU}
VSF303	0	42	544	117

Where:
 λ_{SD} = Fail Safe Detected
 λ_{SU} = Fail Safe Undetected
 λ_{DD} = Fail Dangerous Detected
 λ_{DU} = Fail Dangerous Undetected

Proof testing should be carried out on a yearly basis, showing a probability of failure on demand average (PFD_{AVG}) of 6.82E-03. The following represents a suggested proof test.

Proof Testing

Step	Action
1	Bypass the safety function and take appropriate action to avoid false trip.
2	(Optional) Use RS485 communications to retrieve diagnostics and take appropriate action.
3	Use the flame simulator to force the VSF303H into alarm state. Verify that LED, alarm relay/0-20mA outputs indicate alarm (as required)
4	Wait for detector alarm signal to unlatch. Verify that the LED, alarm relay/0-20mA outputs no longer indicate alarm.
5	Inspect enclosure for any leaks, visible damage, or dirty optics.
6	Perform the periodic inspection and maintenance procedure from the VSF303H safety and technical manual.
7	Remove the bypass and otherwise restore normal operation.

Personnel carrying out commissioning, testing and maintenance on this device shall be sufficiently competent and experienced to do so.



Viking Corporation
5150 Beltway Dr. SE
Caledonia MI 49316

Form No. F_111722 Rev 3.0

Ref: 3304.0001 Rev: 0.1 ECN:4709