



TECHNICAL DATA

**1-1/2" & 2" (DN40 & DN50)
MODEL J FLOW CONTROL VALVE
HORIZONTAL CONV. TRIM CHART**
Maximum 250 PSI Water Working Pressure

The Viking Corporation, 210 N Industrial Park Drive, Hastings MI 49058

Telephone: 269-945-9501 Technical Services: 877-384-5464 Fax: 269-818-1680 Email: techsvcs@vikingcorp.com
Visit the Viking website for the latest edition of this technical data page: www.vikinggroupinc.com

Order Flow Control
Valve Separately

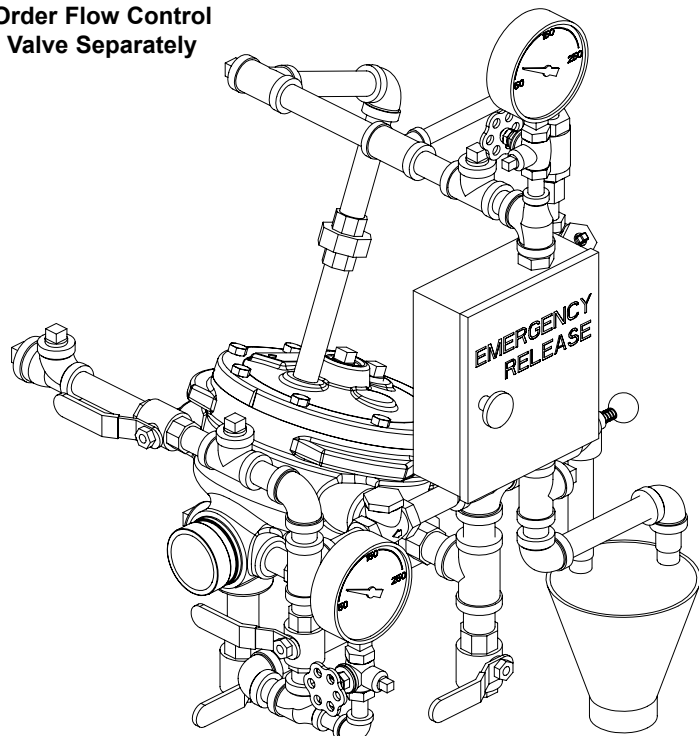


Figure 1

This Trim Chart is for use with
the following Viking Trim Sets

Valve Size	Galvanized Trim Part No.	Brass Trim Part No.	Stainless Steel Trim Part No.
1-1/2" (DN40) & 2" (DN50)	12419-1	12419-2	16843

Notes: For use with Trim Chart on Page 2

General Notes:

- Valve must be trimmed as shown. Any deviation from trim size or arrangement may affect the proper operation of the valve.
- All pipe and fittings shall be galvanized or brass except when other materials are specified in the Technical Data for the Halar[®] Coated Flow Control Valve or when other materials are specified in the Viking Foam Systems data pages.
- Gauges are brass as furnished with trim.
- When the Viking Flow Control Valve is used on pre-mixed foam systems, trim piping must be of copper pipe with brass fittings unless otherwise specified in the Technical Data for the Halar[®] Coated Flow Control Valve or the Viking Foam Systems data pages.
- Dimensions in parentheses are millimeter and may be approximations.

Note 1: 1/2" (15 mm) NPT plugged outlet provided for connecting certain optional components and associated trim.

Note 2: Release System Connection: Viking deluge and flow control valves are compatible with hydraulic, pneumatic, and electric release systems. A pneumatic actuator is required on all Viking deluge valves and flow control valves equipped with pneumatic release systems.

Note 3: Alarm Connections: Connect alarm line piping to 3/4" (20 mm) NPT outlet. When using a water motor alarm, a strainer is required. 1/2" (15 mm) NPT outlet is for electric alarm pressure switch.

Note 4: Optional non-interruptible connection for alarm pressure switch to activate electric alarm panel. Note: After the flow control valve trips, this location cannot be shut off. Alarms may operate until the outlet chamber of the flow control valve is de-pressurized below the set point of the alarm pressure switch.



TECHNICAL DATA

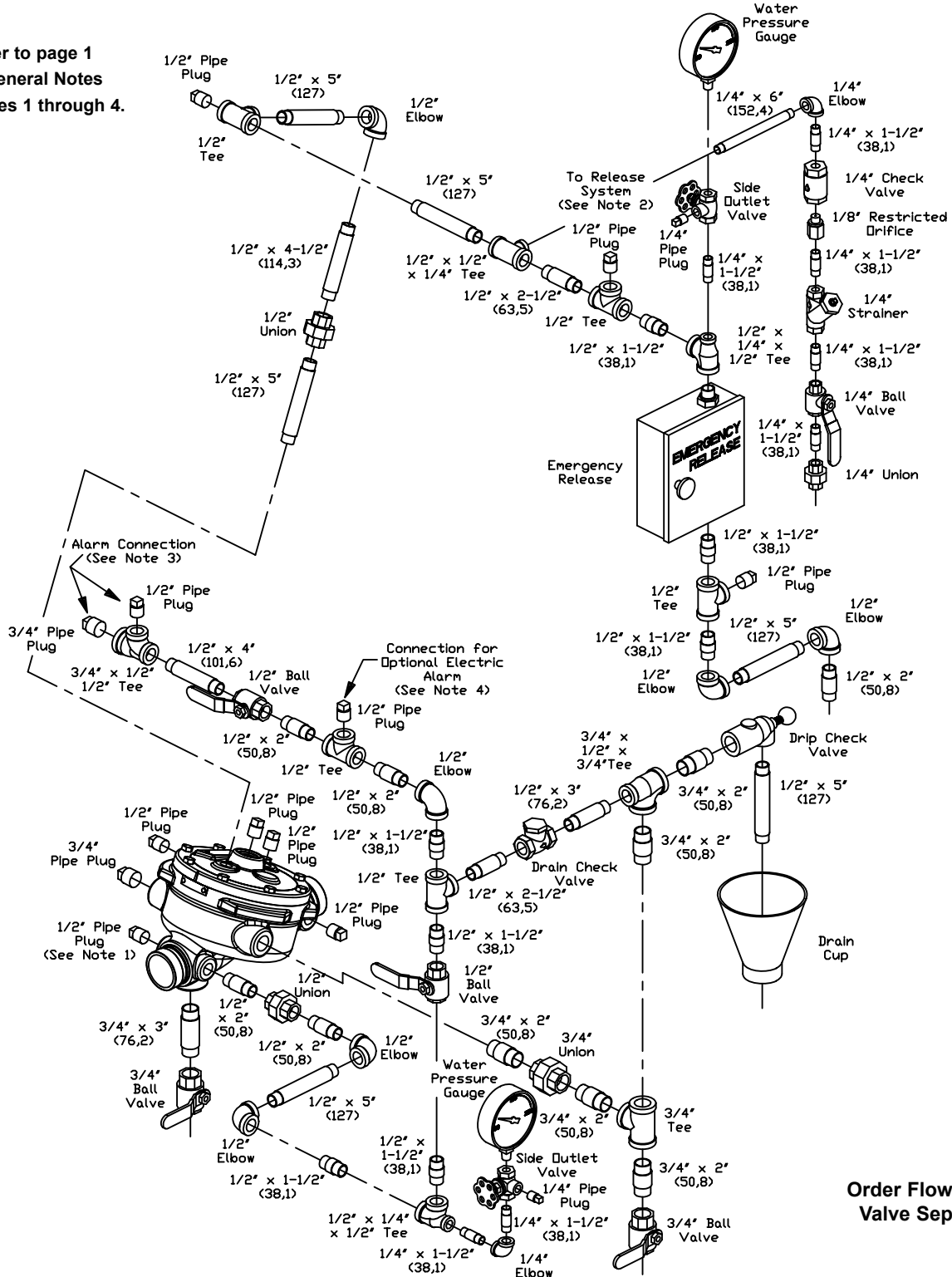
1-1/2" & 2" (DN40 & DN50)
MODEL J FLOW CONTROL VALVE
HORIZONTAL CONV. TRIM CHART
 Maximum 250 PSI Water Working Pressure

The Viking Corporation, 210 N Industrial Park Drive, Hastings MI 49058

Telephone: 269-945-9501 Technical Services: 877-384-5464 Fax: 269-818-1680 Email: techsvcs@vikingcorp.com

Visit the Viking website for the latest edition of this technical data page: www.vikinggroupinc.com

Refer to page 1
 for General Notes
 and Notes 1 through 4.



**Order Flow Control
 Valve Separately**

Figure 2



TECHNICAL DATA

1-1/2" & 2" (DN40 & DN50)
MODEL J FLOW CONTROL VALVE
HORIZONTAL CONV. TRIM CHART
Maximum 250 PSI Water Working Pressure

The Viking Corporation, 210 N Industrial Park Drive, Hastings MI 49058

Telephone: 269-945-9501 Technical Services: 877-384-5464 Fax: 269-818-1680 Email: techsvcs@vikingcorp.com

Visit the Viking website for the latest edition of this technical data page: www.vikinggroupinc.com

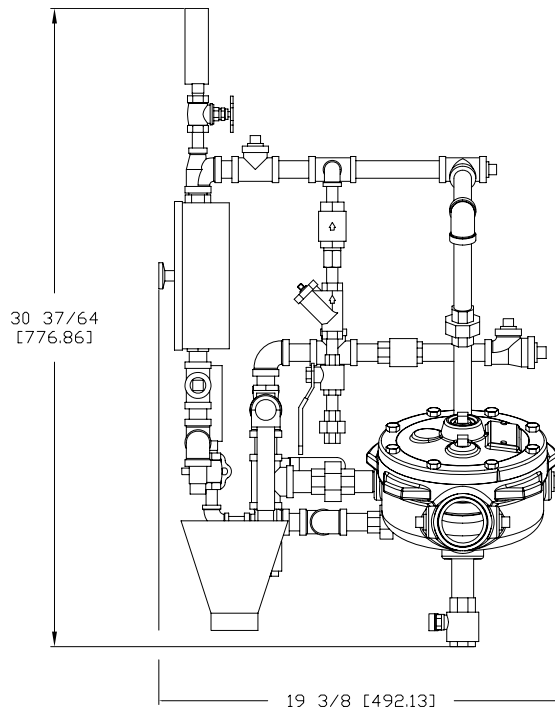
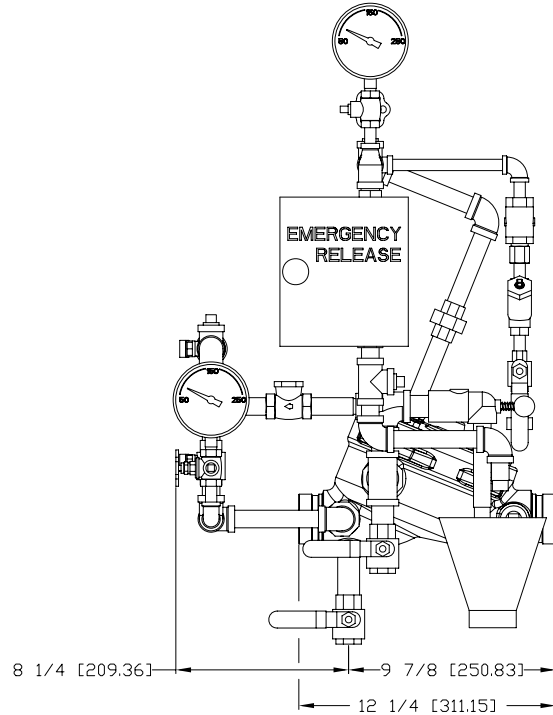


Figure 3