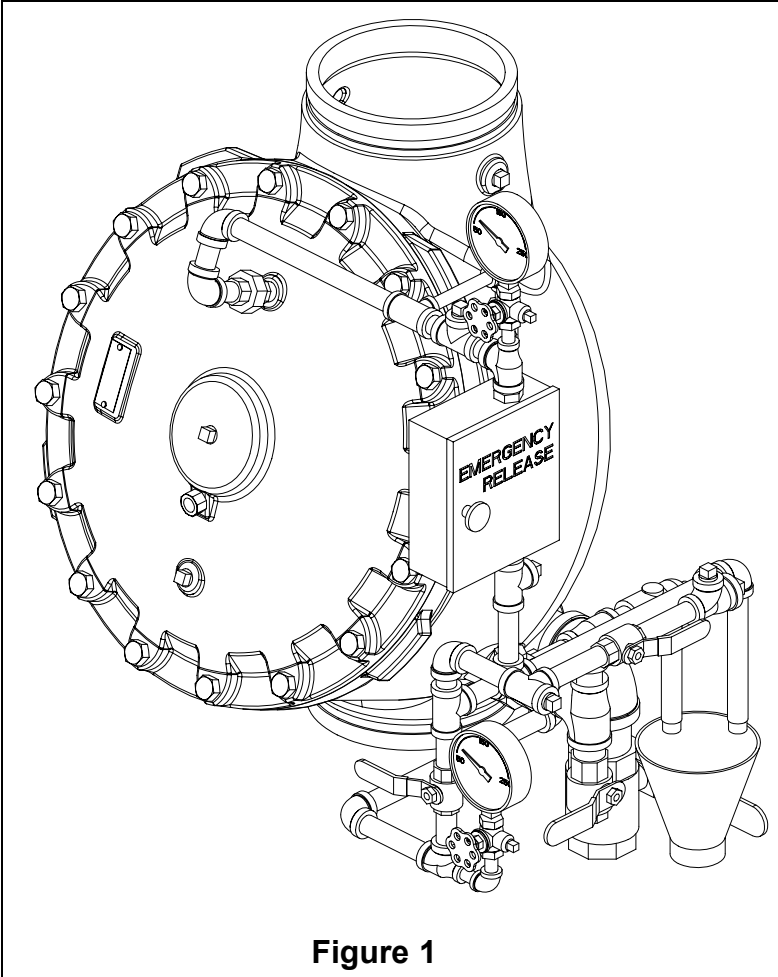




# TECHNICAL DATA

## FLOW CONTROL TRIM 8" (DN200) MODEL J STRAIGHT THROUGH VERTICAL VALVE

The Viking Corporation, 210 N Industrial Park Drive, Hastings MI 49058  
 Telephone: 269-945-9501 Technical Services: 877-384-5464 Fax: 269-818-1680 Email: techsvcs@vikingcorp.com  
 Visit the Viking website for the latest edition of this technical data page www.vikinggroupinc.com



**Figure 1**

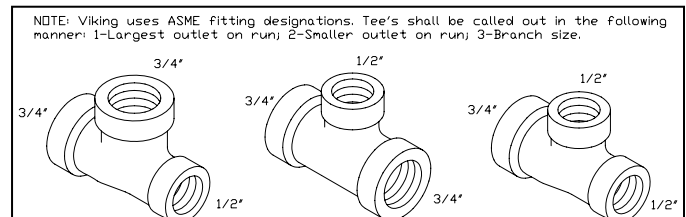
This Trim Chart is for use with the following Viking Trim Sets			
Valve Size	Galvanized* Trim Part No.	USA Only (Galvanized)	Brass** Trim Part No.
8" (DN200)	14708-1	14708-1USA	14708-2
		14708-1PUSA*	
*Modular trim			
This Trim is for use with the following Release Module Trim Kits			
Release Type	Galvanized*		Brass**
Pneumatic	10809		10811
Electric	10830		10832
Electric/Pneumatic	12661-1		12661-2
Pneumatic/Pneumatic	12662-1		12662-2

**WARNING:** Cancer and Reproductive Harm-  
[www.P65Warnings.ca.gov](http://www.P65Warnings.ca.gov)

### Notes: For use with Trim Chart on Pages 2 & 3.

#### General Notes:

- Valve must be trimmed as shown. Any deviation from trim size or arrangement may affect the proper operation of the valve.
- Dimensions in parentheses are millimeter.
- Viking uses ANSI tee designs in all trim call-outs.



**Note 1:** Release System connection. Viking Deluge and Flow Control Valves are compatible with hydraulic, pneumatic, and electric release systems. A Pneumatic Actuator is required on all Viking Deluge Valves and Flow Control Valves equipped with Pneumatic Release Systems.

**Note 2:** Alarm Connections: Connect alarm line piping to 3/4" (20 mm) NPT outlet. When using a Water Motor Alarm, a strainer is required. 1/2" (15 mm) NPT outlet is for electric Alarm Pressure Switch.

**Note 3:** Optional non-interruptible connection for Alarm Pressure Switch to activate electric alarm panel. Note: After the Flow Control Valve trips, this location cannot be shut off. Alarms may operate until the outlet chamber of the Flow Control Valve is depressurized below the set point of the Alarm Pressure Switch.



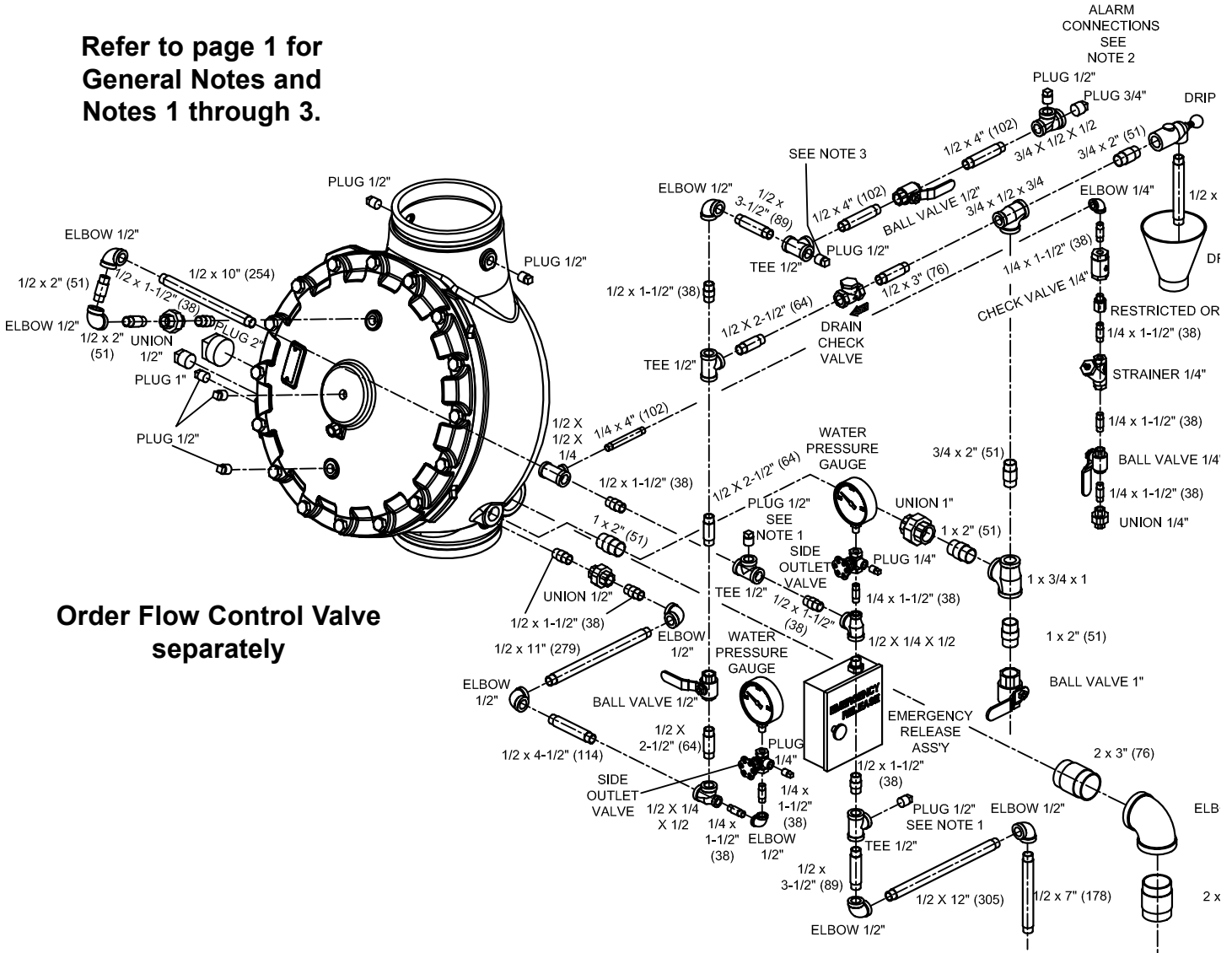
# TECHNICAL DATA

## FLOW CONTROL TRIM 8" (DN200) MODEL J STRAIGHT THROUGH VERTICAL VALVE

The Viking Corporation, 210 N Industrial Park Drive, Hastings MI 49058  
 Telephone: 269-945-9501 Technical Services: 877-384-5464 Fax: 269-818-1680 Email: techsvcs@vikingcorp.com  
 Visit the Viking website for the latest edition of this technical data page www.vikinggroupinc.com

Available since 2008

Refer to page 1 for  
 General Notes and  
 Notes 1 through 3.



Order Flow Control Valve  
 separately

Figure 2



# TECHNICAL DATA

## FLOW CONTROL TRIM 8" (DN200) MODEL J STRAIGHT THROUGH VERTICAL VALVE

The Viking Corporation, 210 N Industrial Park Drive, Hastings MI 49058  
 Telephone: 269-945-9501 Technical Services: 877-384-5464 Fax: 269-818-1680 Email: techsvcs@vikingcorp.com  
 Visit the Viking website for the latest edition of this technical data page www.vikinggroupinc.com

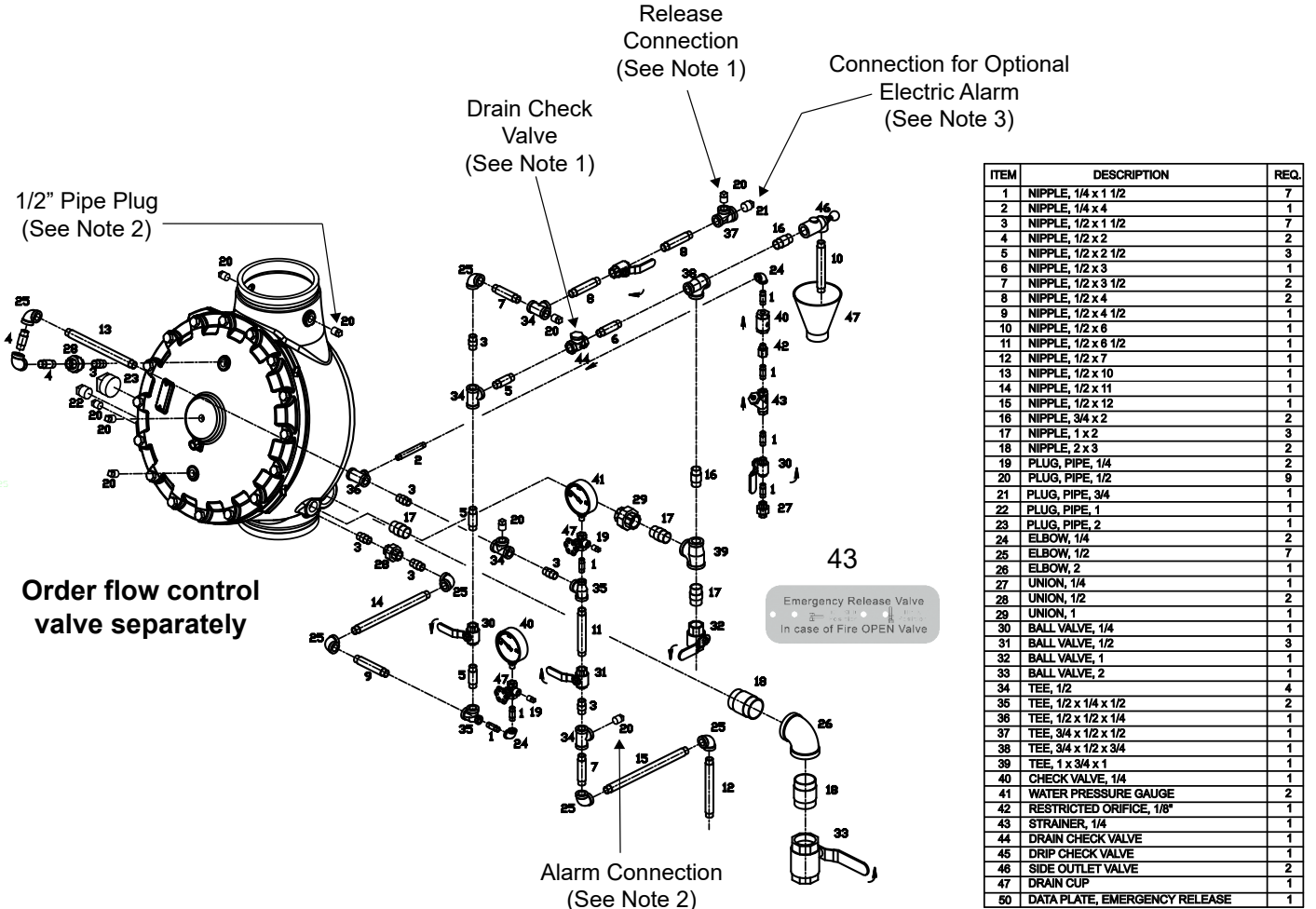


Figure 3

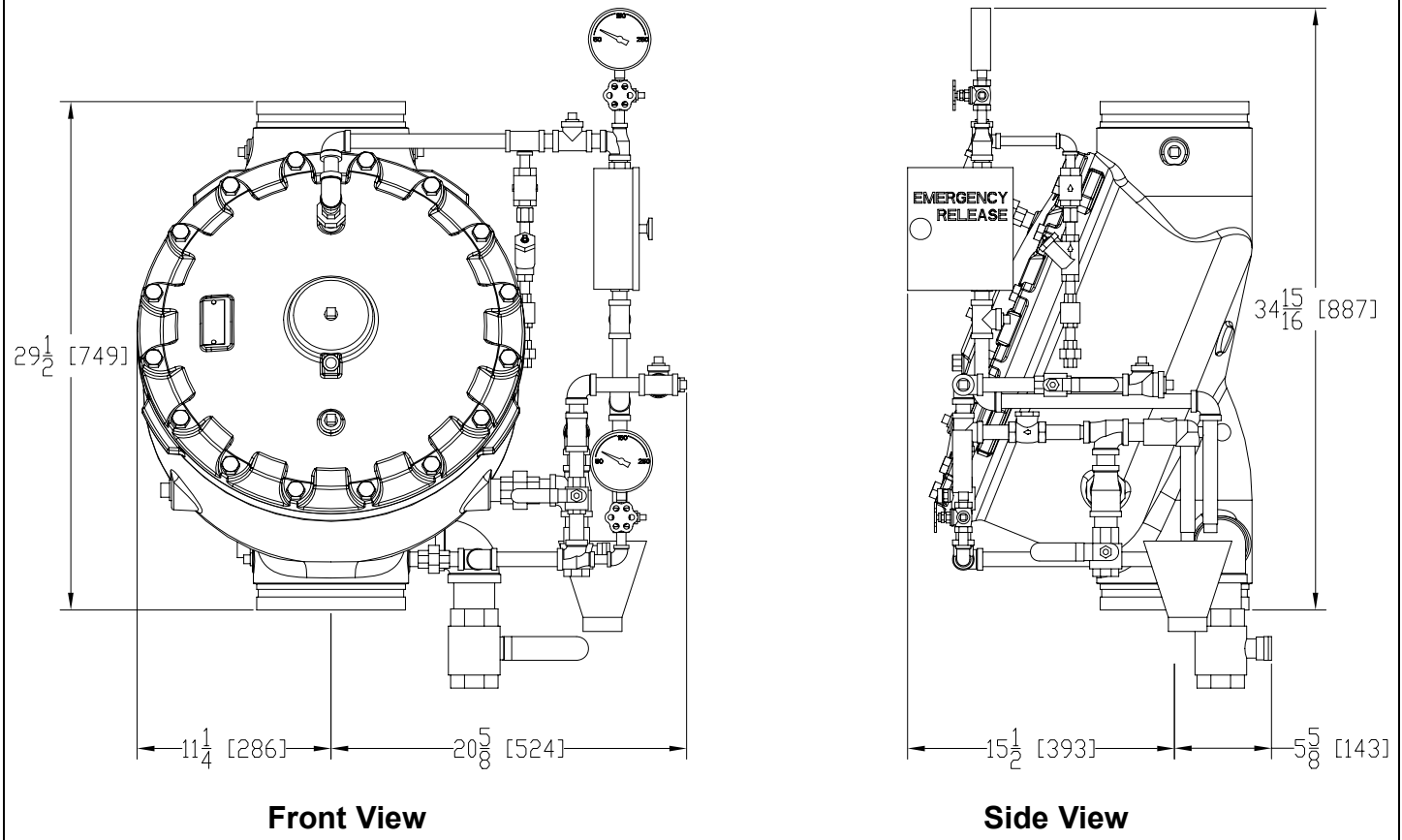


# TECHNICAL DATA

**FLOW CONTROL TRIM**  
 8" (DN200) MODEL J  
 STRAIGHT THROUGH VERTICAL VALVE

The Viking Corporation, 210 N Industrial Park Drive, Hastings MI 49058  
 Telephone: 269-945-9501 Technical Services: 877-384-5464 Fax: 269-818-1680 Email: techsvcs@vikingcorp.com  
 Visit the Viking website for the latest edition of this technical data page [www.vikinggroupinc.com](http://www.vikinggroupinc.com)

## Installation Dimensions



**Figure 4**