

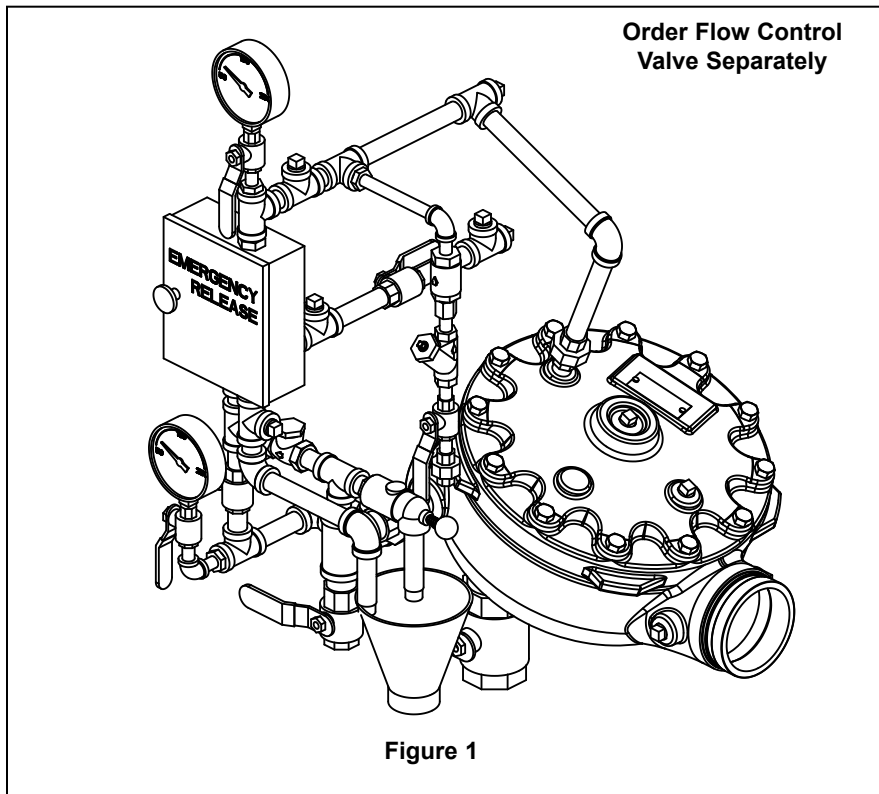


# TECHNICAL DATA

4" (DN100)  
 MODEL J FLOW CONTROL VALVE  
 HORIZONTAL STAINLESS STEEL TRIM CHART  
 Maximum 250 PSI Water Working Pressure

The Viking Corporation, 210 N Industrial Park Drive, Hastings MI 49058

Telephone: 269-945-9501 Technical Services: 877-384-5464 Fax: 269-818-1680 Email: techsvcs@vikingcorp.com  
 Visit the Viking website for the latest edition of this technical data page: www.vikinggroupinc.com



Order Flow Control  
 Valve Separately

This Trim Chart is for use with  
 the following Viking Trim Sets

Valve Size	Stainless Steel Trim Part No.
4" (DN 100)	16845

**Notes: For use with Trim Chart on Page 2**

### General Notes:

- Valve must be trimmed as shown. Any deviation from trim size or arrangement may affect the proper operation of the valve.
- All pipe and fittings shall be galvanized or brass except when other materials are specified in the Technical Data for the Halar<sup>®</sup> Coated Flow Control Valve or when other materials are specified in the Viking Foam Systems data pages.
- Gauges are brass as furnished with trim.
- When the Viking Flow Control Valve is used on pre-mixed foam systems, trim piping must be of copper pipe with brass fittings unless otherwise specified in the Technical Data for the Halar<sup>®</sup> Coated Flow Control Valve or the Viking Foam Systems data pages.
- Dimensions in parentheses are millimeter and may be approximations.

**Note 1:** 1/2" (15 mm) NPT plugged outlet provided for connecting certain optional components and associated trim.

**Note 2:** Release System Connection: Viking deluge and flow control valves are compatible with hydraulic, pneumatic, and electric release systems. A pneumatic actuator is required on all Viking deluge valves and flow control valves equipped with pneumatic release systems.

**Note 3:** Alarm Connections: Connect alarm line piping to 3/4" (20 mm) NPT outlet. When using a water motor alarm, a strainer is required. 1/2" (15 mm) NPT outlet is for electric alarm pressure switch.

**Note 4:** Optional non-interruptible connection for alarm pressure switch to activate electric alarm panel. Note: After the flow control valve trips, this location cannot be shut off. Alarms may operate until the outlet chamber of the flow control valve is de-pressurized below the set point of the alarm pressure switch.



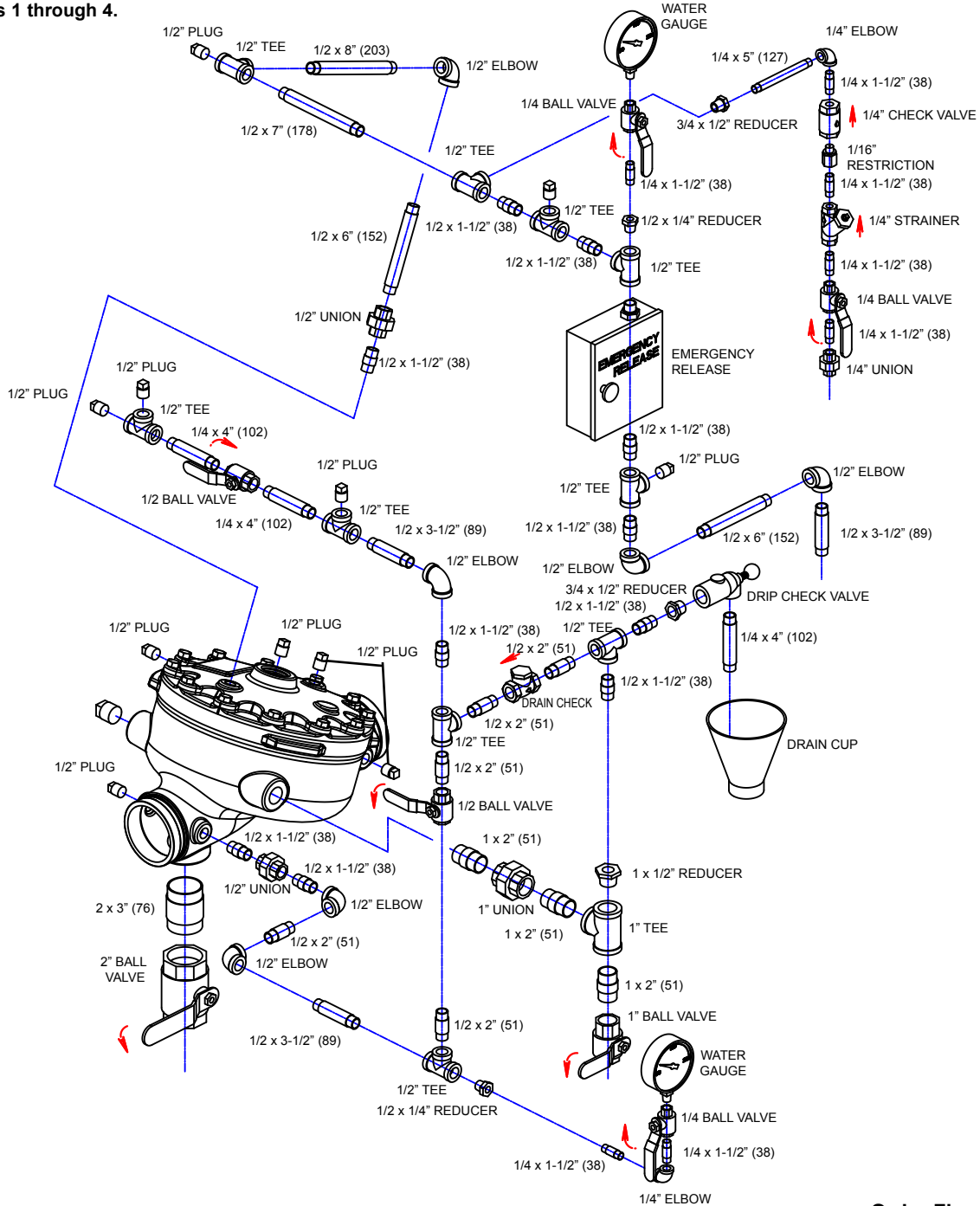
# TECHNICAL DATA

**4" (DN100)**  
**MODEL J FLOW CONTROL VALVE**  
**HORIZONTAL STAINLESS STEEL TRIM CHART**  
 Maximum 250 PSI Water Working Pressure

The Viking Corporation, 210 N Industrial Park Drive, Hastings MI 49058

Telephone: 269-945-9501 Technical Services: 877-384-5464 Fax: 269-818-1680 Email: techsvcs@vikingcorp.com  
 Visit the Viking website for the latest edition of this technical data page: www.vikinggroupinc.com

Refer to page 1  
 for General Notes  
 and Notes 1 through 4.



**Order Flow Control Valve Separately**

**Figure 2:**  
**4" Flow Control Valve Trim**



# TECHNICAL DATA

4" (DN100)  
MODEL J FLOW CONTROL VALVE  
HORIZONTAL STAINLESS STEEL TRIM CHART  
Maximum 250 PSI Water Working Pressure

The Viking Corporation, 210 N Industrial Park Drive, Hastings MI 49058  
Telephone: 269-945-9501 Technical Services: 877-384-5464 Fax: 269-818-1680 Email: techsvcs@vikingcorp.com  
Visit the Viking website for the latest edition of this technical data page: www.vikinggroupinc.com

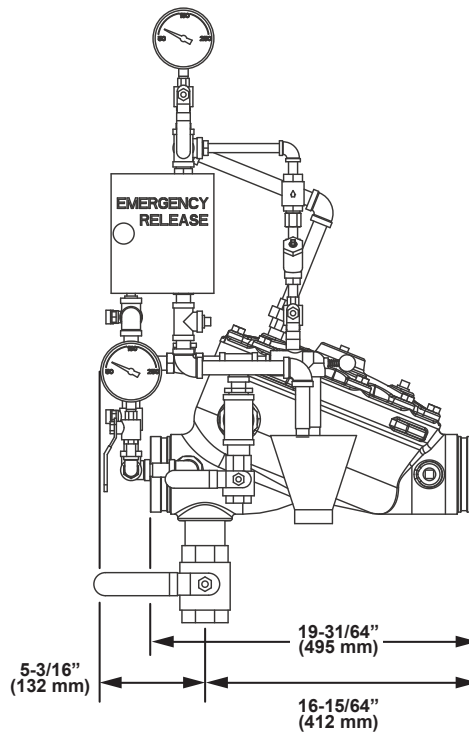
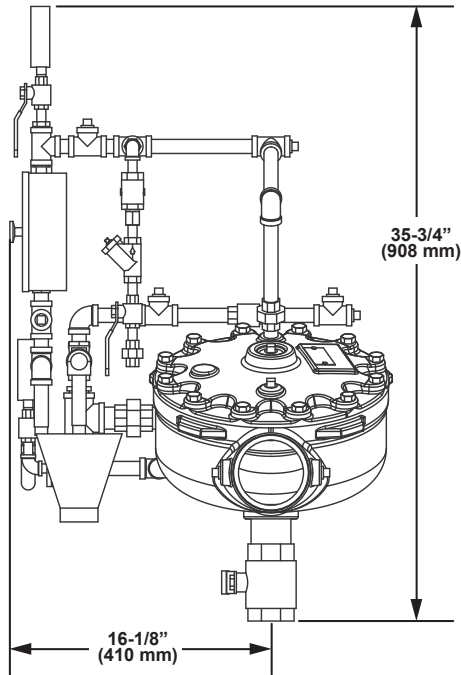


Figure 3: Installation Dimensions