



TECHNICAL DATA

4" (DN100) MODEL J FLOW CONTROL VALVE VERTICAL CONVENTIONAL TRIM CHART

Maximum 250 PSI Water Working Pressure

The Viking Corporation, 210 N Industrial Park Drive, Hastings MI 49058
 Telephone: 269-945-9501 Technical Services: 877-384-5464 Fax: 269-818-1680 Email: techsvcs@vikingcorp.com
 Visit the Viking website for the latest edition of this technical data page www.vikinggroupinc.com

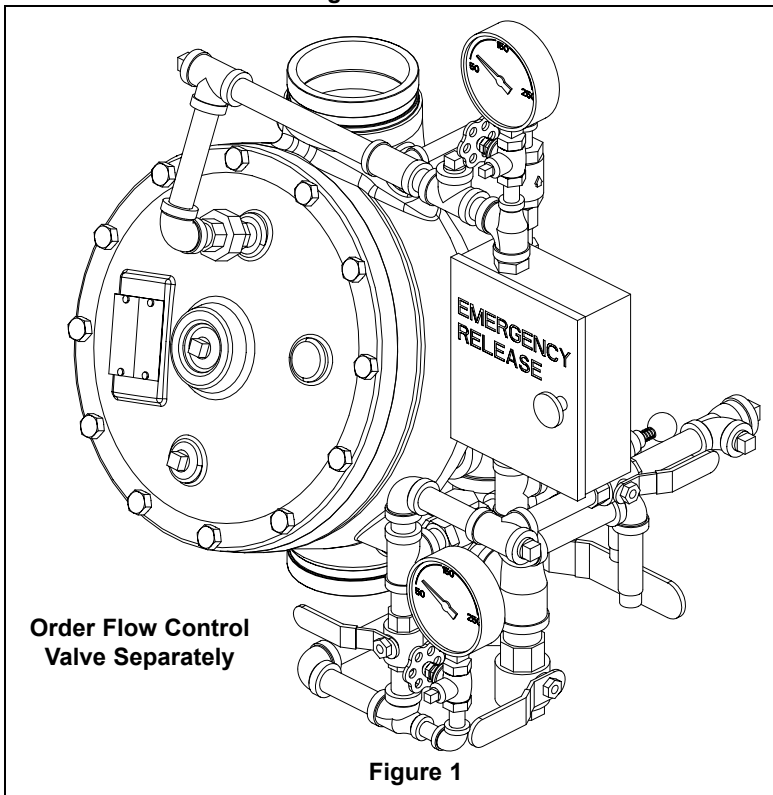


Figure 1

This Trim Chart is for use with the following Viking Trim Sets			
Valve Size	Galvanized Trim Part No.	USA Only (Galvanized)	Brass Trim Part No.
4" (DN100)	11719-1	11719-1USA	11719-2
		11719-1PUSA*	
*Modular trim			

WARNING: Cancer and Reproductive Harm-
www.P65Warnings.ca.gov

Notes: For use with Trim Chart on Pages 2 & 3.

General Notes:

- Valve must be trimmed as shown. Any deviation from trim size or arrangement may affect the proper operation of the valve.
- All pipe and fittings shall be galvanized or brass except when other materials are specified in the Technical Data for the Halar[®] Coated Flow Control Valve or when other materials are specified in the Viking Foam Systems data pages.
- Gauges are brass as furnished with trim.
- When the Viking Flow Control Valve is used on pre-mixed foam systems, trim piping must be of copper pipe with brass fittings unless otherwise specified in the Technical Data for the Halar[®] Coated Flow Control Valve or the Viking Foam Systems data pages.
- Dimensions in parentheses are millimeter and may be approximations.

- Note 1:** 1/2" (15 mm) NPT plugged outlet provided for connecting certain optional components and associated trim.
- Note 2:** Release System Connection: Viking deluge and flow control valves are compatible with hydraulic, pneumatic, and electric release systems. A pneumatic actuator is required on all Viking deluge valves and flow control valves equipped with pneumatic release systems.
- Note 3:** Alarm Connections: Connect alarm line piping to 3/4" (20 mm) NPT outlet. When using a water motor alarm, a strainer is required. 1/2" (15 mm) NPT outlet is for electric alarm pressure switch.
- Note 4:** Optional non-interruptible connection for alarm pressure switch to activate electric alarm panel. Note: After the flow control valve trips, this location cannot be shut off. Alarms may operate until the outlet chamber of the flow control valve is de-pressurized below the set point of the alarm pressure switch.



TECHNICAL DATA

4" (DN100) MODEL J FLOW CONTROL VALVE VERTICAL CONVENTIONAL TRIM CHART

Maximum 250 PSI Water Working Pressure

The Viking Corporation, 210 N Industrial Park Drive, Hastings MI 49058

Telephone: 269-945-9501 Technical Services: 877-384-5464 Fax: 269-818-1680 Email: techsvcs@vikingcorp.com

Visit the Viking website for the latest edition of this technical data page www.vikinggroupinc.com

Refer to page 1 for General Notes and Notes 1 through 4.

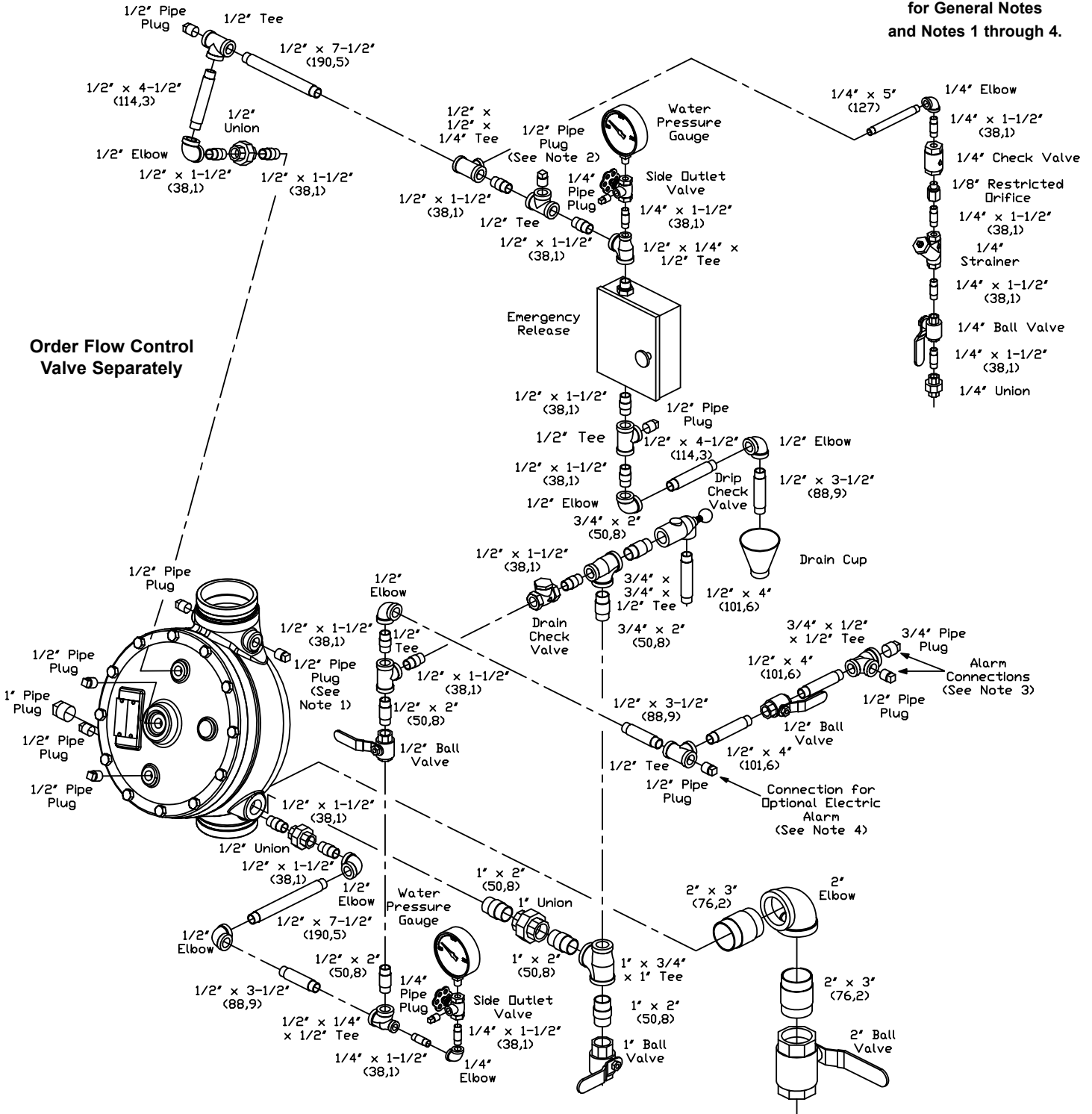


Figure 2



TECHNICAL DATA

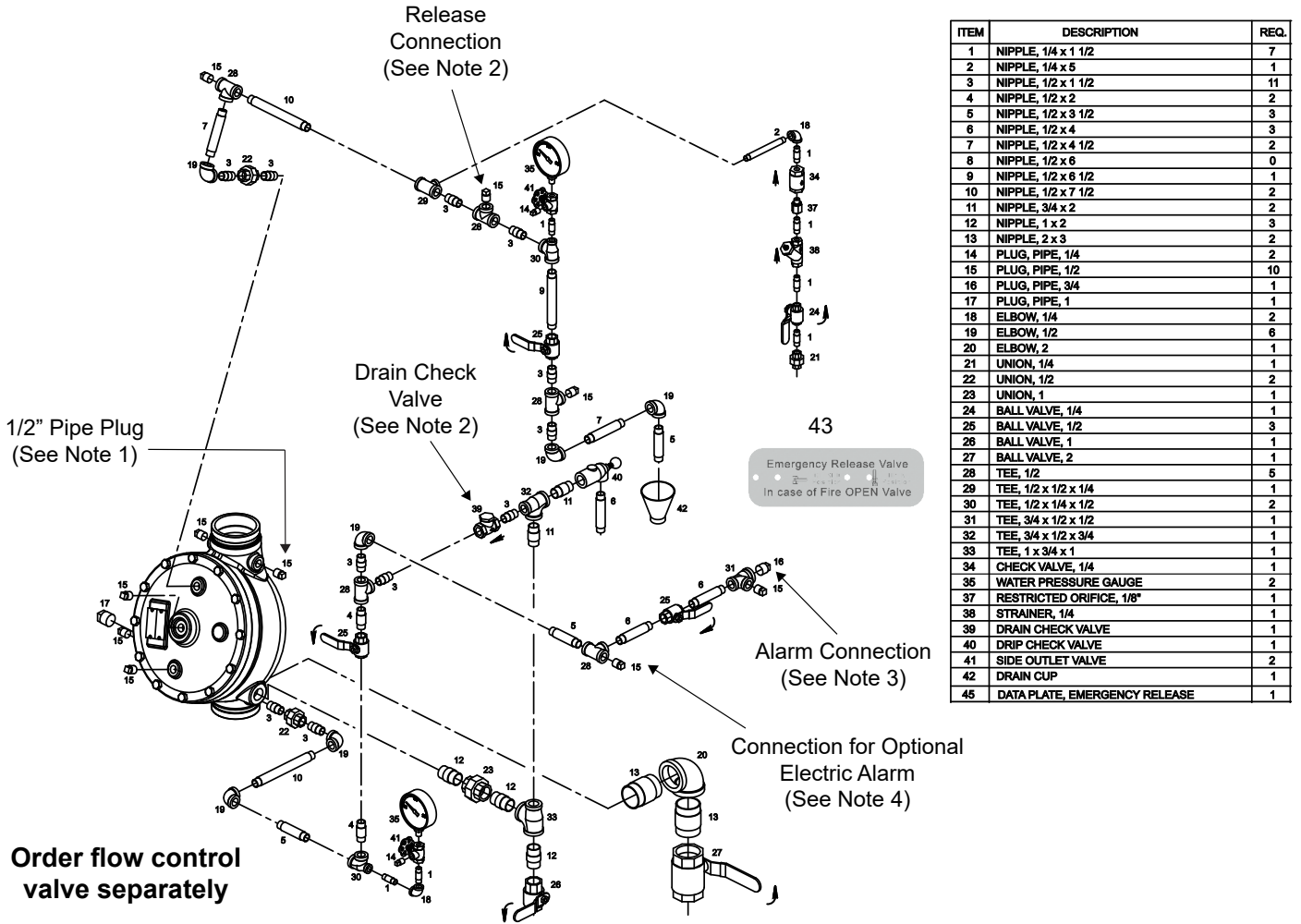
4" (DN100) MODEL J FLOW CONTROL VALVE VERTICAL CONVENTIONAL TRIM CHART

Maximum 250 PSI Water Working Pressure

The Viking Corporation, 210 N Industrial Park Drive, Hastings MI 49058

Telephone: 269-945-9501 Technical Services: 877-384-5464 Fax: 269-818-1680 Email: techsvcs@vikingcorp.com

Visit the Viking website for the latest edition of this technical data page www.vikinggroupinc.com



ITEM	DESCRIPTION	REQ.
1	NIPPLE, 1/4 x 1 1/2	7
2	NIPPLE, 1/4 x 5	1
3	NIPPLE, 1/2 x 1 1/2	11
4	NIPPLE, 1/2 x 2	2
5	NIPPLE, 1/2 x 3 1/2	3
6	NIPPLE, 1/2 x 4	3
7	NIPPLE, 1/2 x 4 1/2	2
8	NIPPLE, 1/2 x 6	0
9	NIPPLE, 1/2 x 6 1/2	1
10	NIPPLE, 1/2 x 7 1/2	2
11	NIPPLE, 3/4 x 2	2
12	NIPPLE, 1 x 2	3
13	NIPPLE, 2 x 3	2
14	PLUG, PIPE, 1/4	2
15	PLUG, PIPE, 1/2	10
16	PLUG, PIPE, 3/4	1
17	PLUG, PIPE, 1	1
18	ELBOW, 1/4	2
19	ELBOW, 1/2	6
20	ELBOW, 2	1
21	UNION, 1/4	1
22	UNION, 1/2	2
23	UNION, 1	1
24	BALL VALVE, 1/4	1
25	BALL VALVE, 1/2	3
26	BALL VALVE, 1	1
27	BALL VALVE, 2	1
28	TEE, 1/2	5
29	TEE, 1/2 x 1/2 x 1/4	1
30	TEE, 1/2 x 1/4 x 1/2	2
31	TEE, 3/4 x 1/2 x 1/2	1
32	TEE, 3/4 x 1/2 x 3/4	1
33	TEE, 1 x 3/4 x 1	1
34	CHECK VALVE, 1/4	1
35	WATER PRESSURE GAUGE	2
37	RESTRICTED ORIFICE, 1/8"	1
38	STRAINER, 1/4	1
39	DRAIN CHECK VALVE	1
40	DRIP CHECK VALVE	1
41	SIDE OUTLET VALVE	2
42	DRAIN CUP	1
45	DATA PLATE, EMERGENCY RELEASE	1

Figure 3



TECHNICAL DATA

4" (DN100) MODEL J FLOW CONTROL VALVE VERTICAL CONVENTIONAL TRIM CHART

Maximum 250 PSI Water Working Pressure

The Viking Corporation, 210 N Industrial Park Drive, Hastings MI 49058

Telephone: 269-945-9501 Technical Services: 877-384-5464 Fax: 269-818-1680 Email: techsvcs@vikingcorp.com

Visit the Viking website for the latest edition of this technical data page www.vikinggroupinc.com

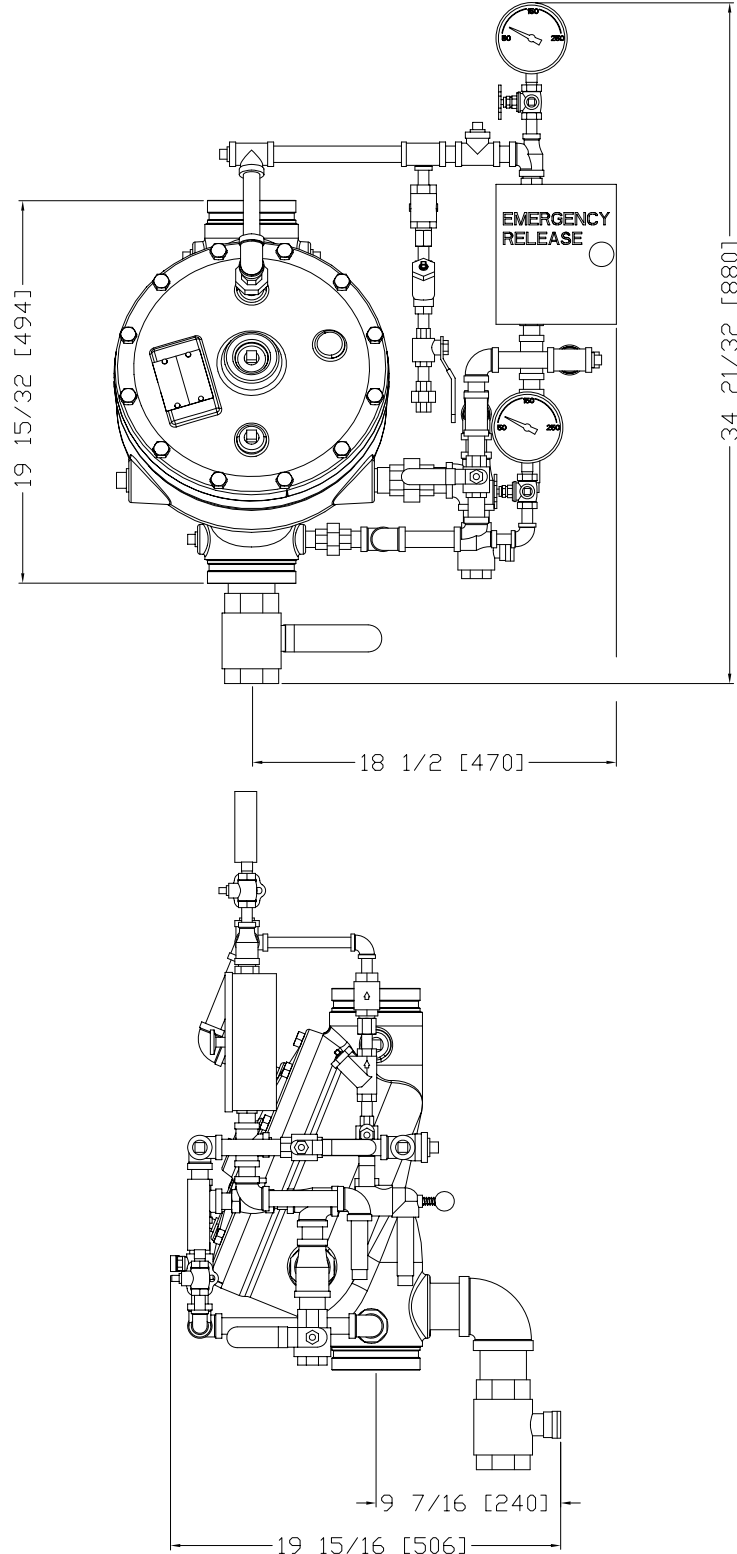


Figure 4