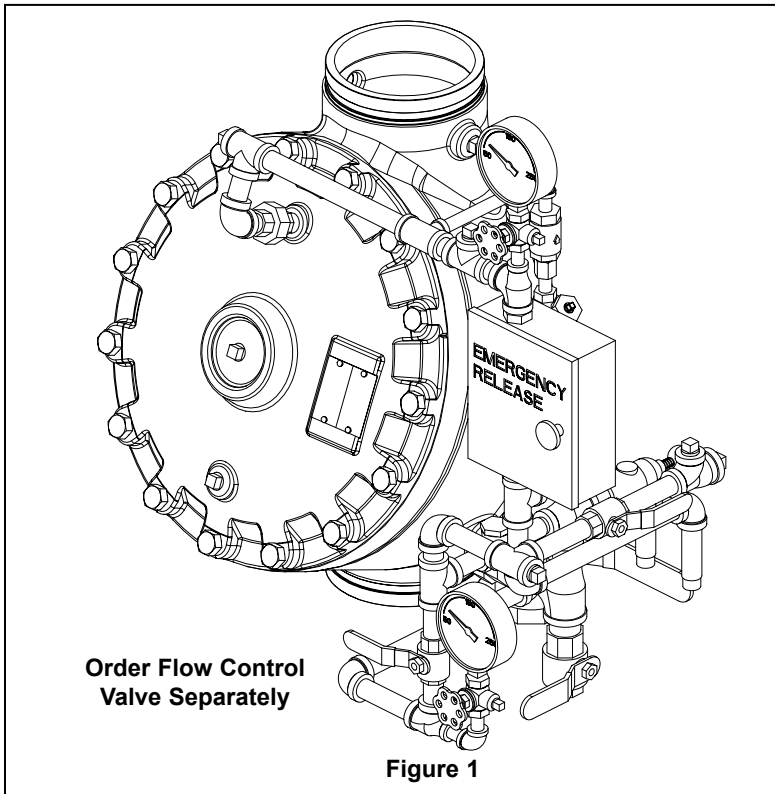




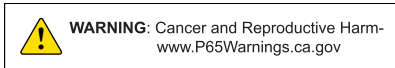
TECHNICAL DATA

6" (DN150) MODEL J FLOW CONTROL VALVE VERTICAL CONVENTIONAL TRIM CHART
 Maximum 250 PSI Water Working Pressure

The Viking Corporation, 210 N Industrial Park Drive, Hastings MI 49058
 Telephone: 269-945-9501 Technical Services: 877-384-5464 Fax: 269-818-1680 Email: techsvcs@vikingcorp.com
 Visit the Viking website for the latest edition of this technical data page www.vikinggroupinc.com



This Trim Chart is for use with the following Viking Trim Sets			
Valve Size	Galvanized Trim Part No.	USA Only (Galvanized)	Brass Trim Part No.
6" (DN150)	11720-1	11720-1USA	11720-2
		11720-1PUSA*	
*Modular trim			



Notes: For use with Trim Chart on Pages 2 & 3.

General Notes:

- Valve must be trimmed as shown. Any deviation from trim size or arrangement may affect the proper operation of the valve.
- All pipe and fittings shall be galvanized or brass except when other materials are specified in the Technical Data for the Halar[®] Coated Flow Control Valve or when other materials are specified in the Viking Foam Systems data pages.
- Gauges are brass as furnished with trim.
- When the Viking Flow Control Valve is used on pre-mixed foam systems, trim piping must be of copper pipe with brass fittings unless otherwise specified in the Technical Data for the Halar[®] Coated Flow Control Valve or the Viking Foam Systems data pages.
- Dimensions in parentheses are millimeter and may be approximations.

- Note 1:** 1/2" (15 mm) NPT plugged outlet provided for connecting certain optional components and associated trim.
- Note 2:** Release System Connection: Viking deluge and flow control valves are compatible with hydraulic, pneumatic, and electric release systems. A pneumatic actuator is required on all Viking deluge valves and flow control valves equipped with pneumatic release systems.
- Note 3:** Alarm Connections: Connect alarm line piping to 3/4" (20 mm) NPT outlet. When using a water motor alarm, a strainer is required. 1/2" (15 mm) NPT outlet is for electric alarm pressure switch.
- Note 4:** Optional non-interruptible connection for alarm pressure switch to activate electric alarm panel. Note: After the flow control valve trips, this location cannot be shut off. Alarms may operate until the outlet chamber of the flow control valve is de-pressurized below the set point of the alarm pressure switch.



TECHNICAL DATA

6" (DN150) MODEL J FLOW CONTROL VALVE VERTICAL CONVENTIONAL TRIM CHART

Maximum 250 PSI Water Working Pressure

The Viking Corporation, 210 N Industrial Park Drive, Hastings MI 49058

Telephone: 269-945-9501 Technical Services: 877-384-5464 Fax: 269-818-1680 Email: techsvcs@vikingcorp.com

Visit the Viking website for the latest edition of this technical data page www.vikinggroupinc.com

Order flow control valve separately

Release Connection (See Note 2)

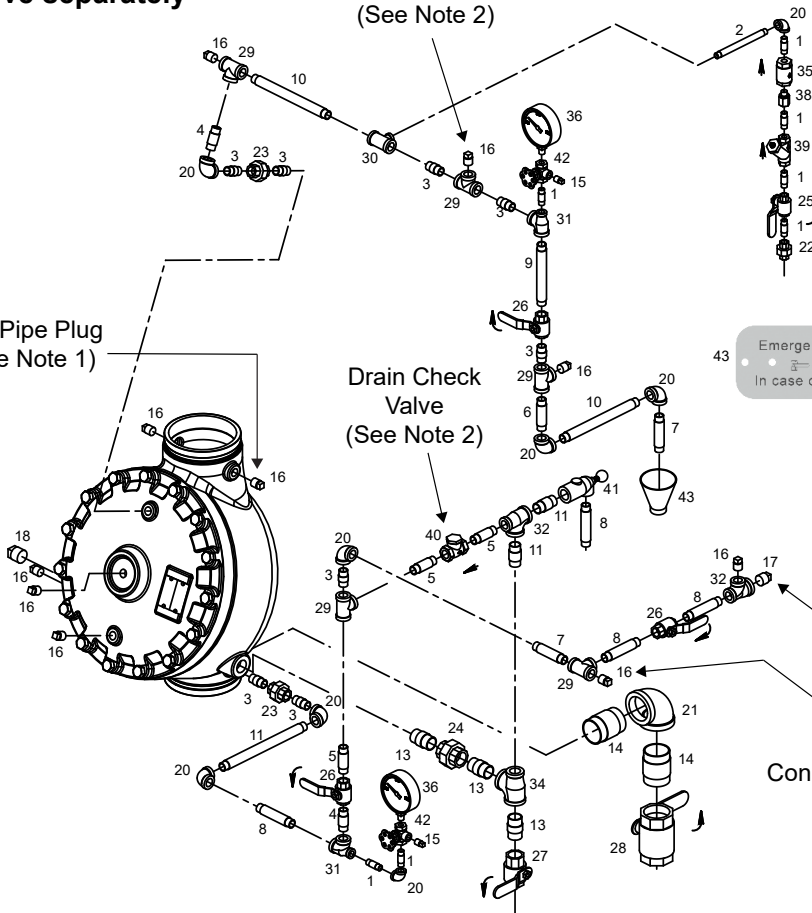
1/2" Pipe Plug (See Note 1)

Drain Check Valve (See Note 2)

Emergency Release Valve
In case of Fire OPEN Valve

Alarm Connection (See Note 3)

Connection for Optional Electric Alarm (See Note 4)



ITEM	DESCRIPTION	REQ.
1	NIPPLE, 1/4 x 1 1/2	7
2	NIPPLE, 1/4 x 6	1
3	NIPPLE, 1/2 x 1 1/2	11
4	NIPPLE, 1/2 x 2	2
5	NIPPLE, 1/2 x 2 1/2	3
6	NIPPLE, 1/2 x 3	3
7	NIPPLE, 1/2 x 3 1/2	2
9	NIPPLE, 1/2 x 6 1/2	1
11	NIPPLE, 1/2 x 10	2
12	NIPPLE, 3/4 x 2	2
13	NIPPLE, 1 x 2	3
14	NIPPLE, 2 x 3	2
15	PLUG, PIPE, 1/4	2
16	PLUG, PIPE, 1/2	10
17	PLUG, PIPE, 3/4	1
18	PLUG, PIPE, 1	1
19	ELBOW, 1/4	2
20	ELBOW, 1/2	6
21	ELBOW, 2	1
22	UNION, 1/4	1
23	UNION, 1/2	2
24	UNION, 1	1
25	BALL VALVE, 1/4	1
26	BALL VALVE, 1/2	3
27	BALL VALVE, 1	1
28	BALL VALVE, 2	1
29	TEE, 1/2	5
30	TEE, 1/2 x 1/2 x 1/4	1
31	TEE, 1/2 x 1/4 x 1/2	2
32	TEE, 3/4 x 1/2 x 1/2	1
33	TEE, 3/4 x 1/2 x 3/4	1
34	TEE, 1 x 3/4 x 1	1
35	CHECK VALVE, 1/4	1
37	WATER PRESSURE GAUGE	2
38	RESTRICTED ORIFICE, 1/8"	1
39	STRAINER, 1/4	1
40	DRAIN CHECK VALVE	1
41	DRIP CHECK VALVE	1
42	SIDE OUTLET VALVE	2
43	DRAIN CUP	1
46	DATA PLATE, EMERGENCY RELEASE	1

Figure 3



TECHNICAL DATA

6" (DN150) MODEL J FLOW CONTROL VALVE VERTICAL CONVENTIONAL TRIM CHART

Maximum 250 PSI Water Working Pressure

The Viking Corporation, 210 N Industrial Park Drive, Hastings MI 49058

Telephone: 269-945-9501 Technical Services: 877-384-5464 Fax: 269-818-1680 Email: techsvcs@vikingcorp.com

Visit the Viking website for the latest edition of this technical data page www.vikinggroupinc.com

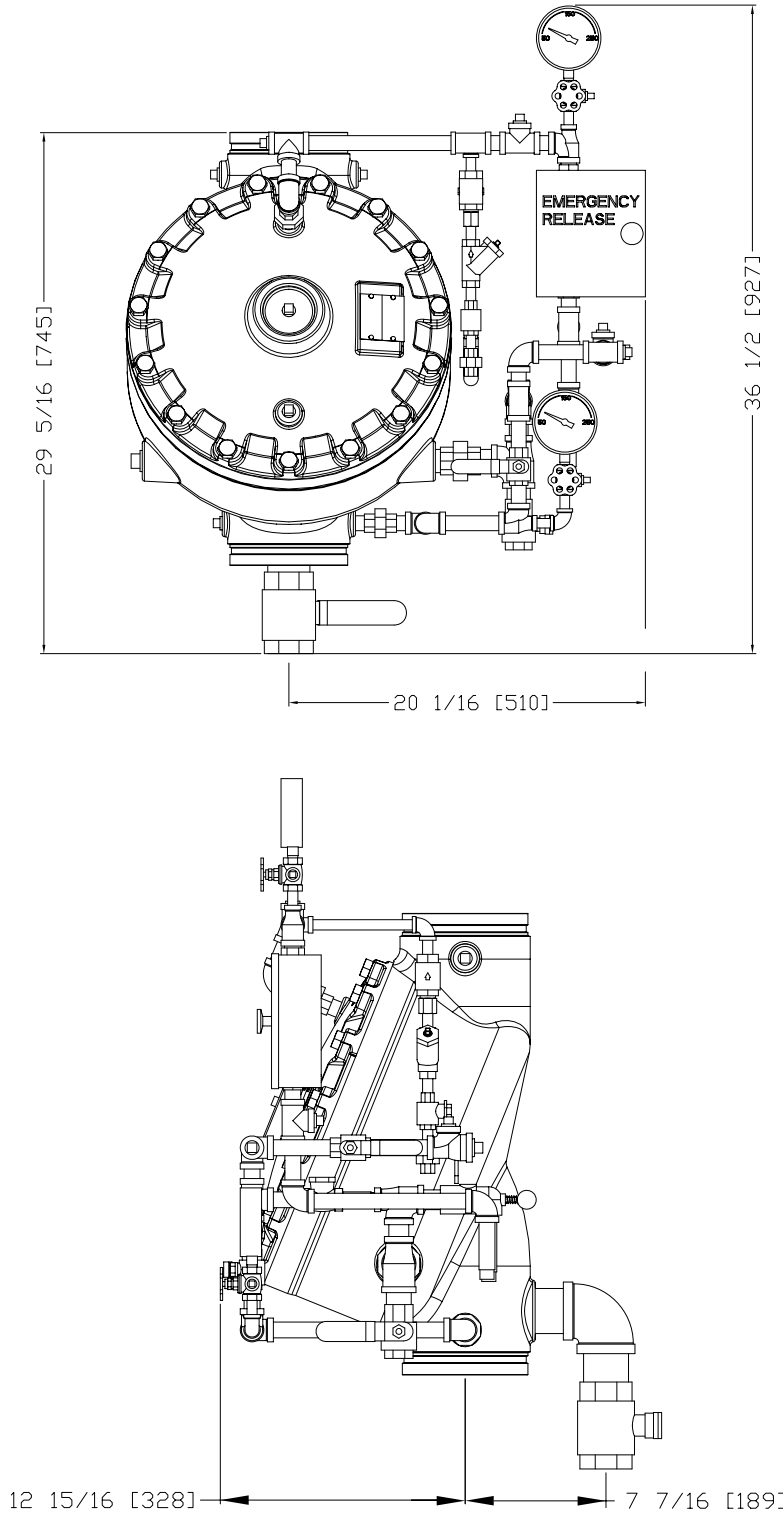


Figure 4