

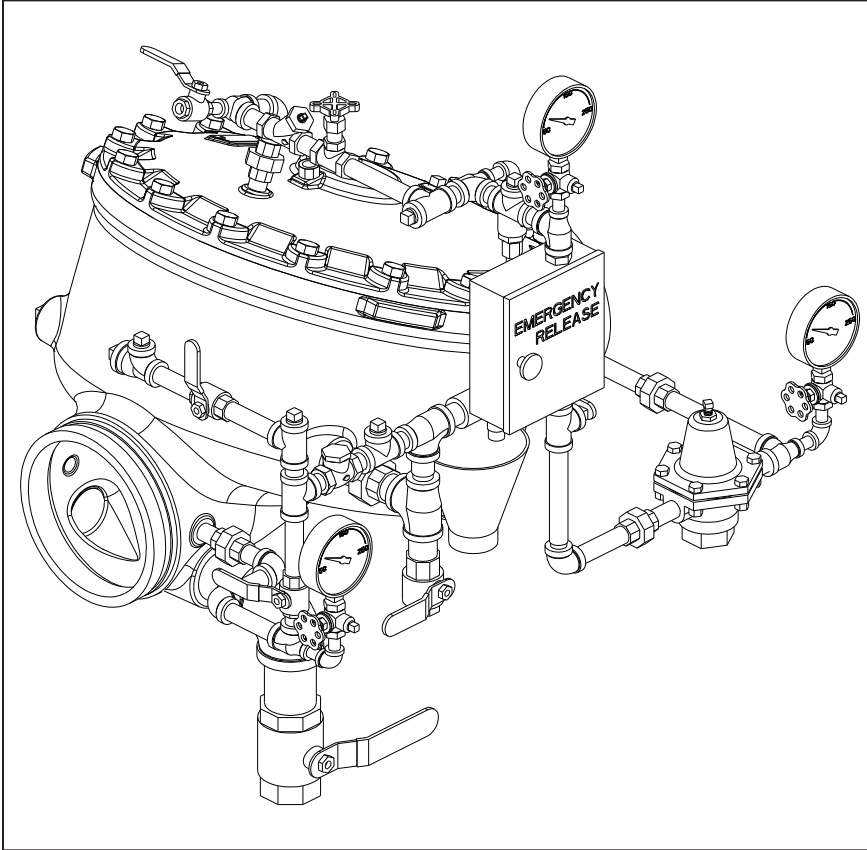


TECHNICAL DATA

PILOT REGULATING FLOW CONTROL HORIZONTAL TRIM

8" (DN200) MODEL J
FLOW CONTROL VALVE

The Viking Corporation, 210 N Industrial Park Drive, Hastings MI 49058
Telephone: 269-945-9501 Technical Services: 877-384-5464 Fax: 269-818-1680 Email: techsvcs@vikingcorp.com
Visit the Viking website for the latest edition of this technical data page: www.vikinggroupinc.com



This Trim Chart is for use with the following Viking Pilot Pressure Regulating Trim Sets

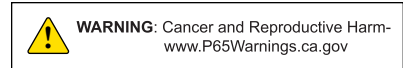
Valve Size	Galvanized Trim Part No.	Brass Trim Part No.
8" (DN200)	14777-1	14777-2

This trim is for use with the following Release Module Trim Kits

Release Type	Galvanized	Brass
Electric	10830	10832

Note: Nipple lengths for brass trim may vary from those shown on this Trim Chart.

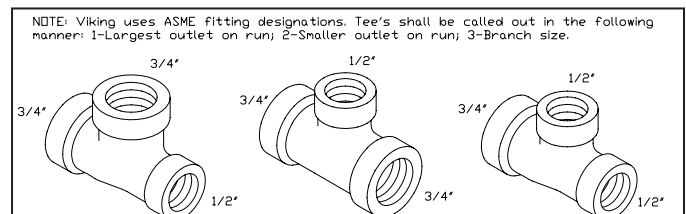
Note: When viewing this data page online, [blue](#) text represents hyper links and will open the appropriate data page when clicked.



Notes: For use with Trim Charts on Page 2

General Notes:

- Valve must be trimmed as shown. Any deviation from trim size or arrangement may affect the proper operation of the valve.
- Dimensions in parenthesis are millimeters.
- Viking uses ANSI tee designations (large outlet on run, small outlet on run, side outlet) in all trim call-outs.



Note 1: Release System connection.

Note 2: Alarm Connections: Connect alarm line piping to 3/4" (20 mm) NPT outlet. When using a Water Motor Alarm, a strainer is required. 1/2" (15 mm) NPT outlet is for electric Alarm Pressure Switch.

Note 3: Optional non-interruptible connection for Alarm Pressure Switch to activate electric alarm panel. Note: After the flow control valve trips, this location cannot be shut off. Alarms may operate until the outlet chamber of the flow control valve is de-pressurized below the set point of the Alarm Pressure Switch.

Note 4: Viking Drain Check Valve is manufactured with a 0.067" (1.7 mm) orifice to allow alarm line to drain. Do not substitute. Check label for proper orientation.



TECHNICAL DATA

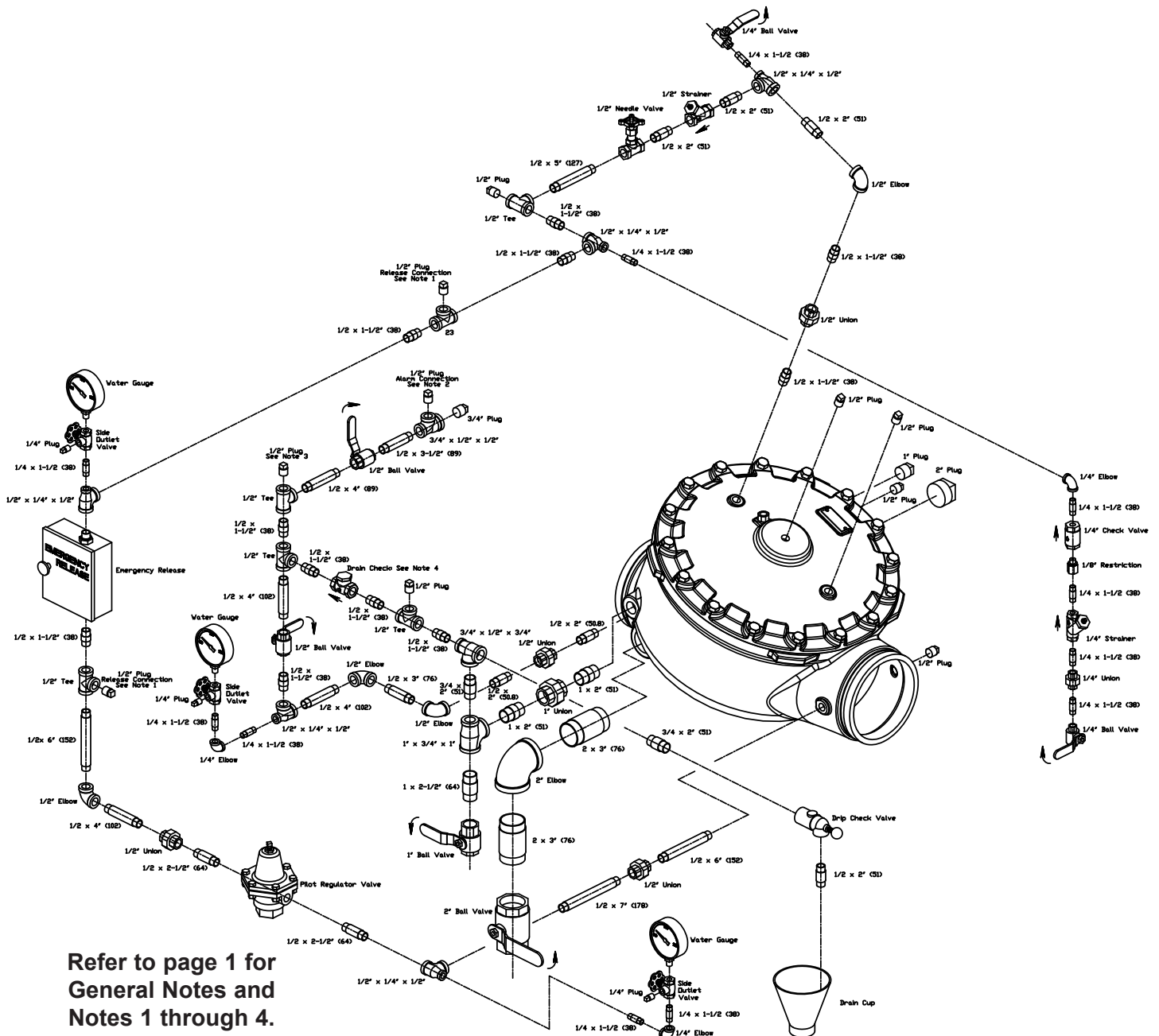
PILOT REGULATING FLOW CONTROL HORIZONTAL TRIM

8" (DN200) MODEL J

FLOW CONTROL VALVE

The Viking Corporation, 210 N Industrial Park Drive, Hastings MI 49058

Telephone: 269-945-9501 Technical Services 877-384-5464 Fax: 269-818-1680 Email: techsvcs@vikingcorp.com



Refer to page 1 for General Notes and Notes 1 through 4.

Order Flow Control Valve Separately

Figure 1

8" Pilot Regulating Trim for Model J Flow Control Valve



TECHNICAL DATA

PILOT REGULATING FLOW CONTROL HORIZONTAL TRIM

8" (DN200) MODEL J
FLOW CONTROL VALVE

The Viking Corporation, 210 N Industrial Park Drive, Hastings MI 49058
 Telephone: 269-945-9501 Technical Services: 877-384-5464 Fax: 269-818-1680 Email: techsvcs@vikingcorp.com
 Visit the Viking website for the latest edition of this technical data page: www.vikinggroupinc.com

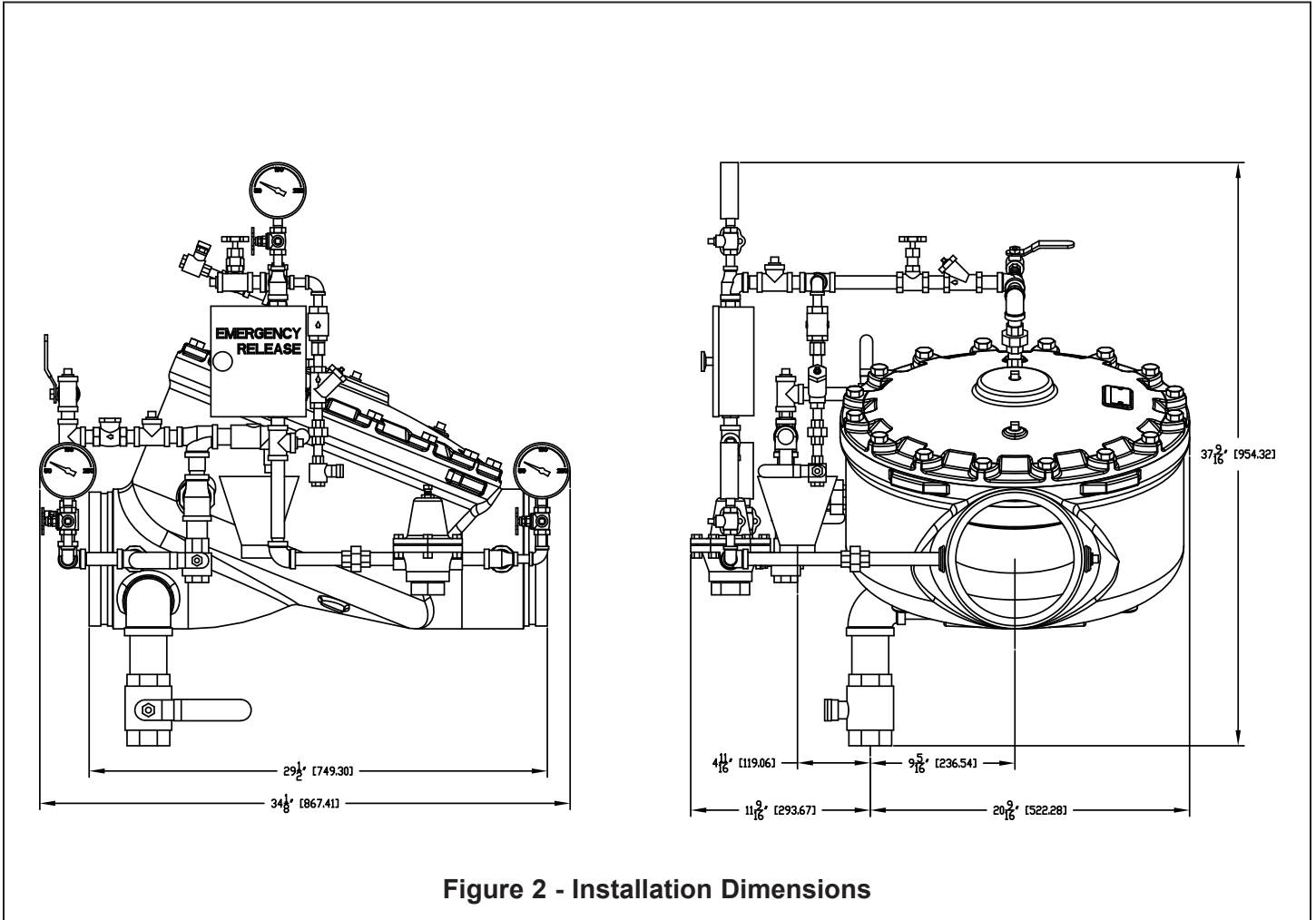


Figure 2 - Installation Dimensions